

06 Other accessories

P119~138



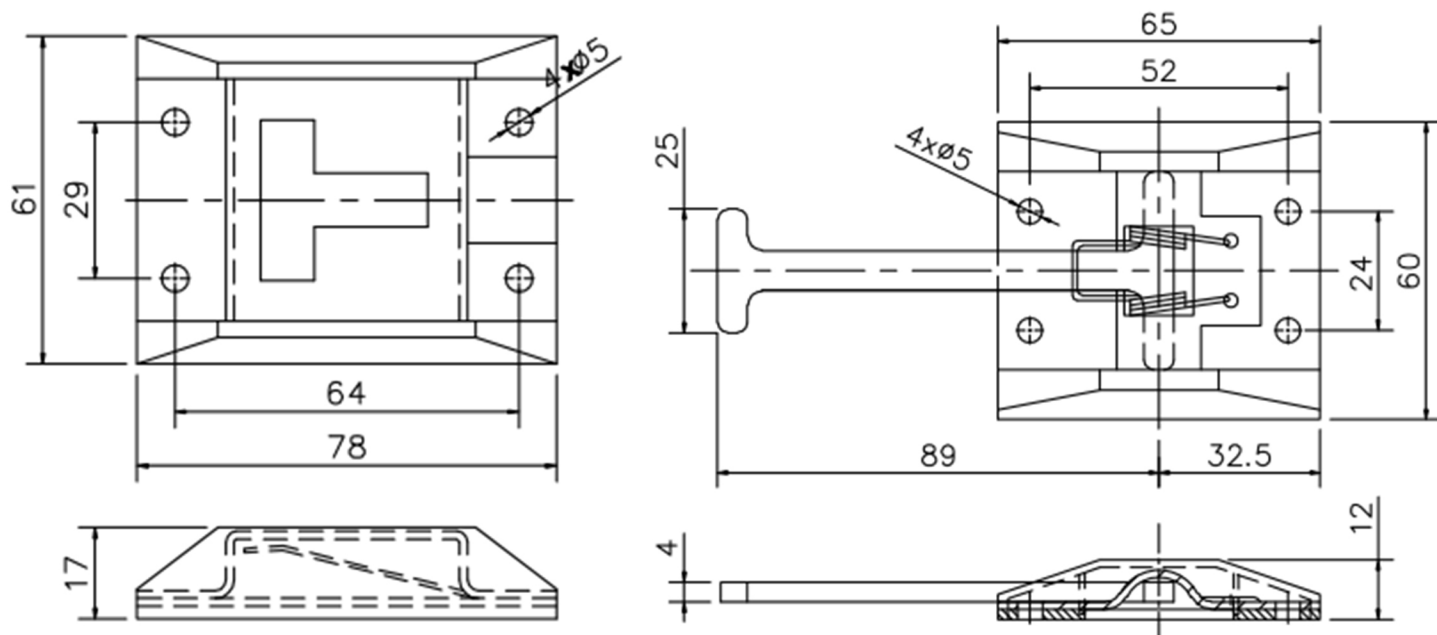
◆ Other accessories

4010+4011门钩	4016	4017	4018	4018-B	4020
4021	4025	4026	4028	4030	4041
4042	4043	4045	APR01	APR02	防雨盖
油箱盖					

◆ 4010+4011 Door holdback



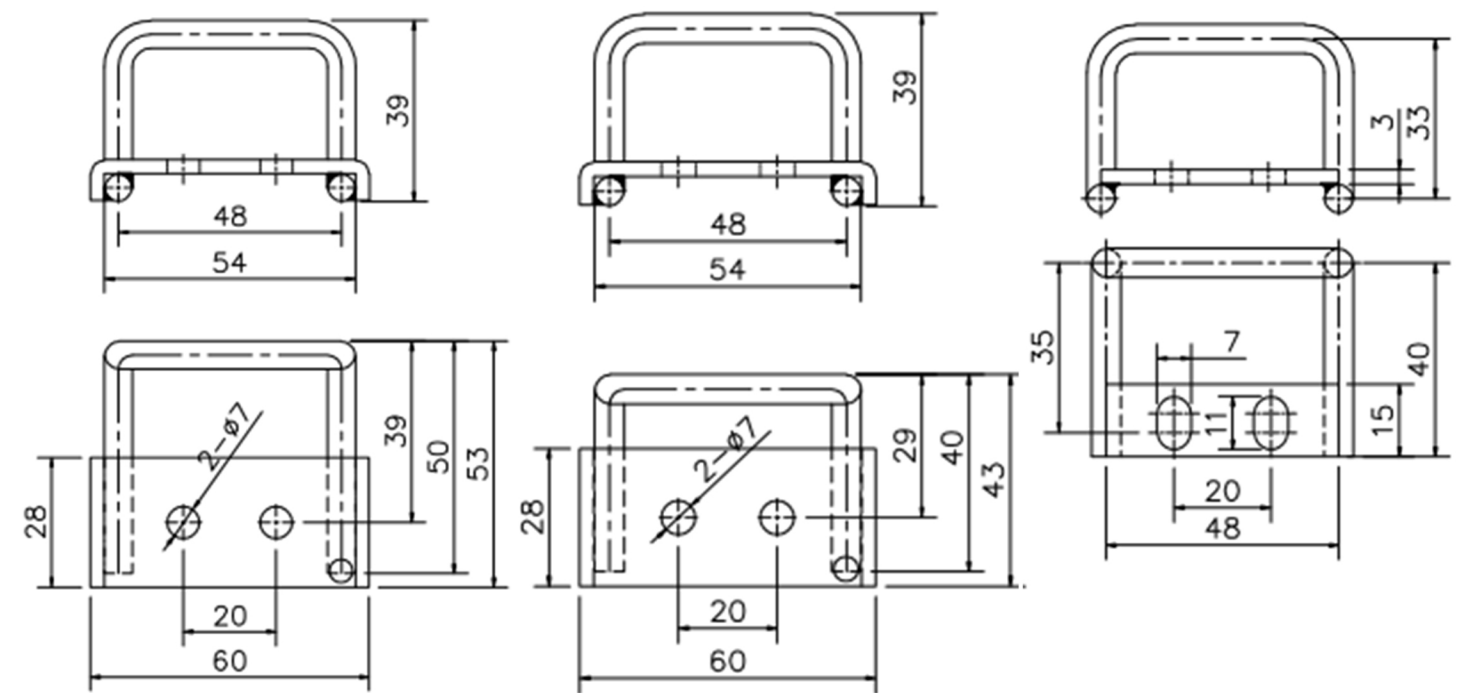
Overall drawing



◆ 4016 Striker series



Overall drawing



4016-A

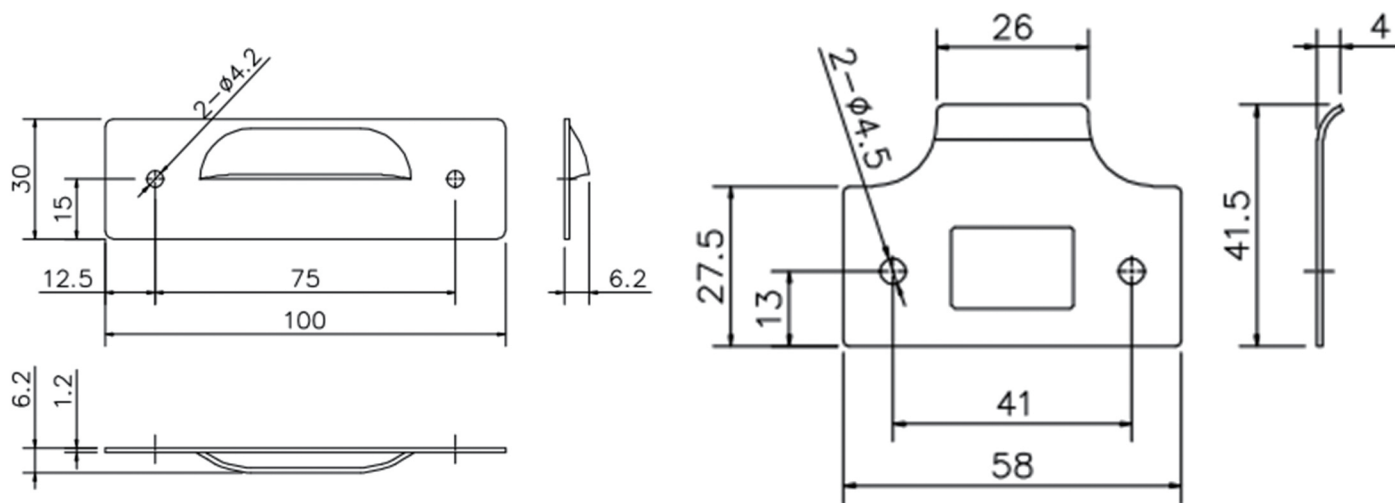
4016-D

4016-AT

◆ 4017 Striker series



Overall drawing



4017-A

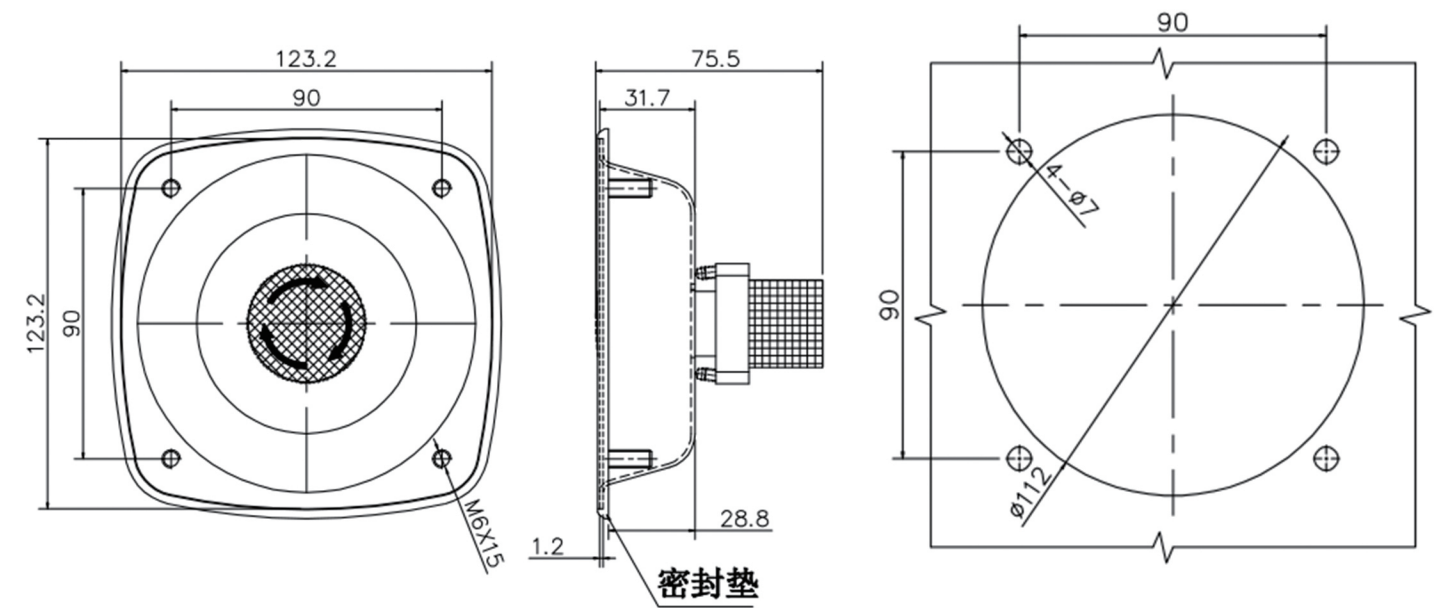
4017-B

◆ 4018 Emergency stop switch cover series

4018-A



Overall drawing

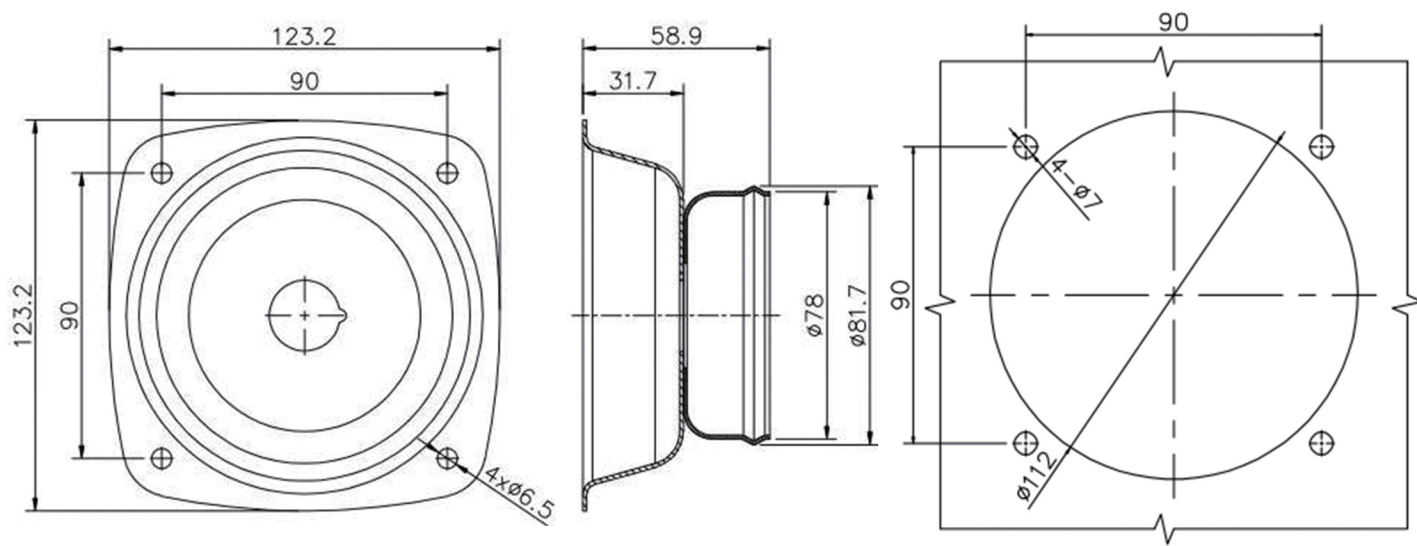


开孔尺寸
Panel Drilling Dimensions

4018-B



Overall drawing, Panel drilling
Dimensions

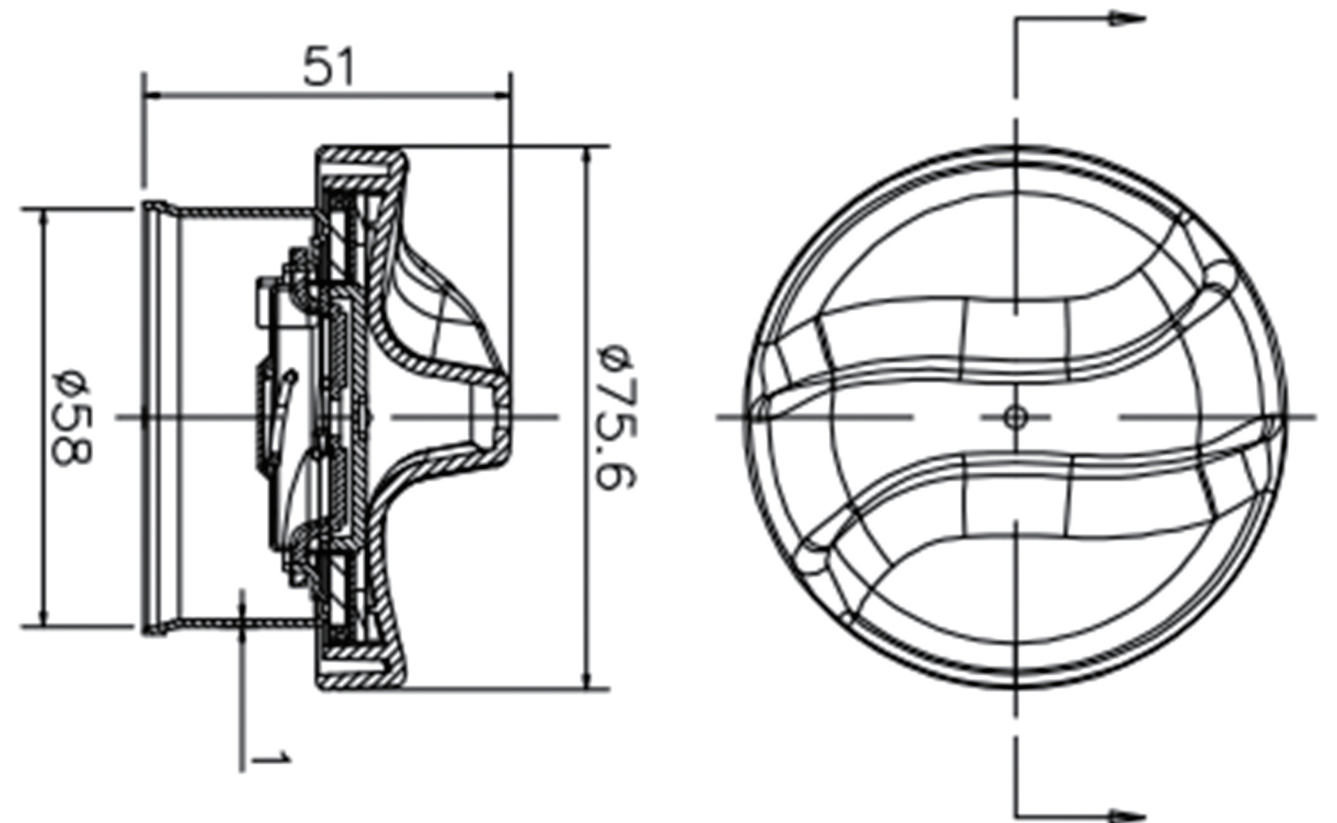


开孔尺寸
Panel Drilling Dimensions

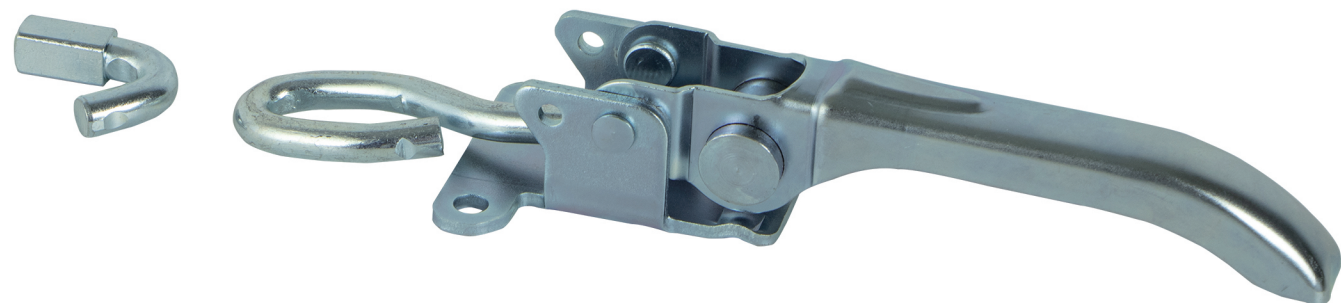
◆ 4019 Fuel tank cover



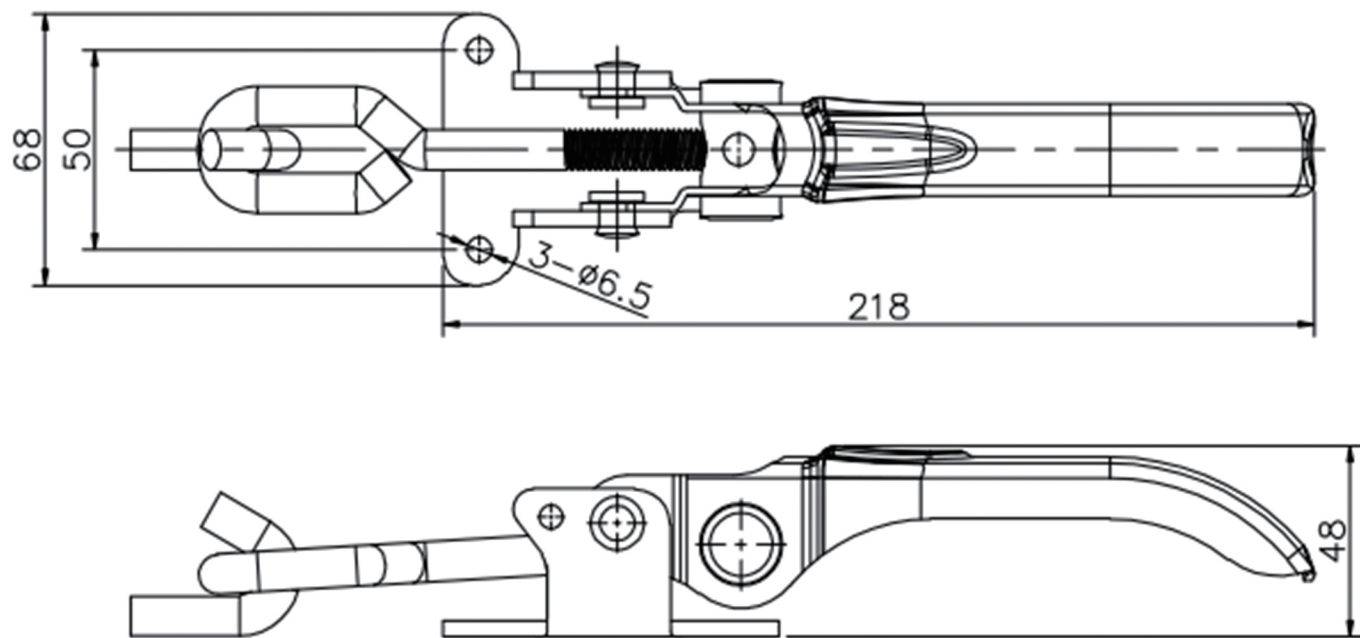
Overall drawing



◆ 4020 Galvanized steel pickup lock



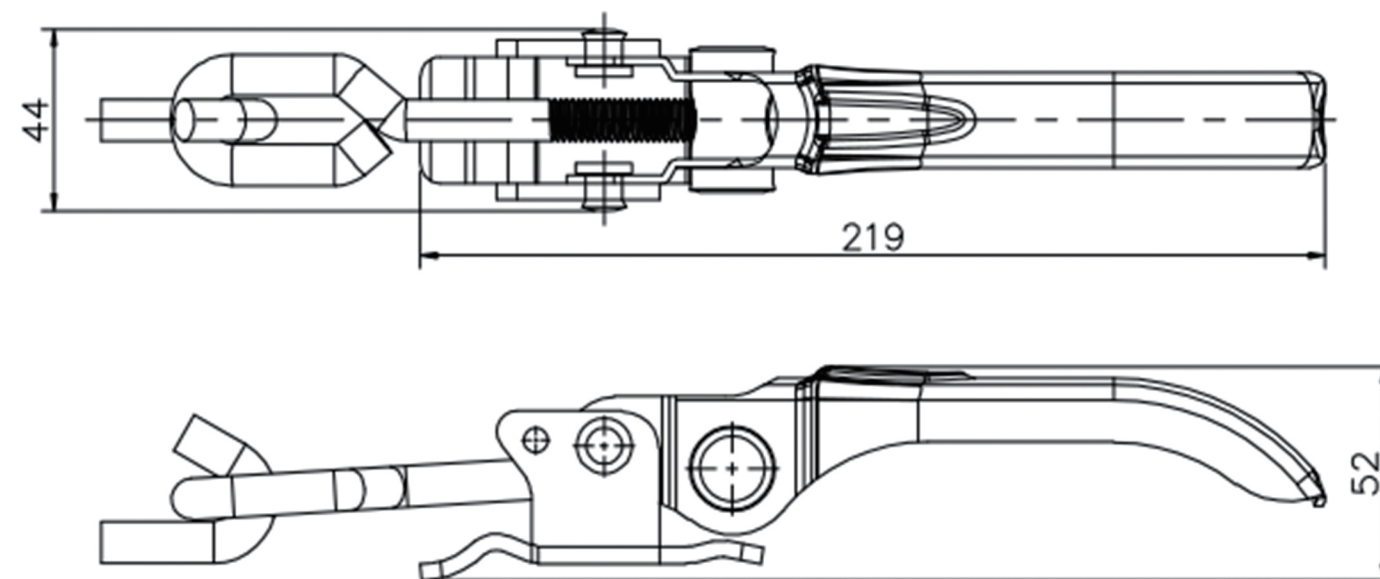
Overall drawing



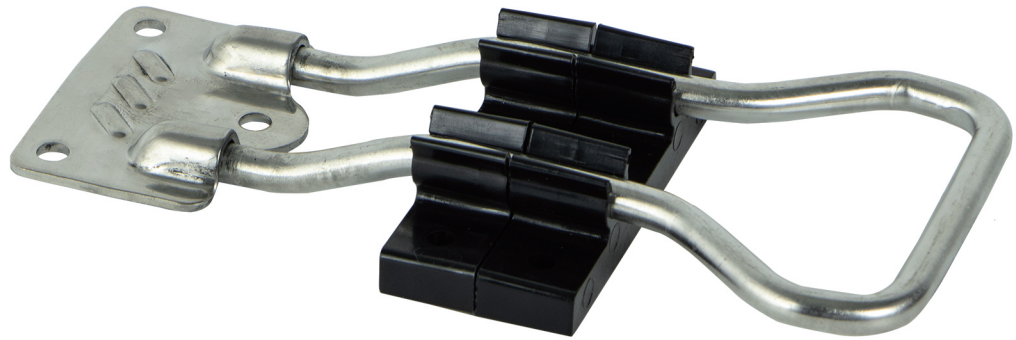
◆ 4021 Galvanized steel pickup lock



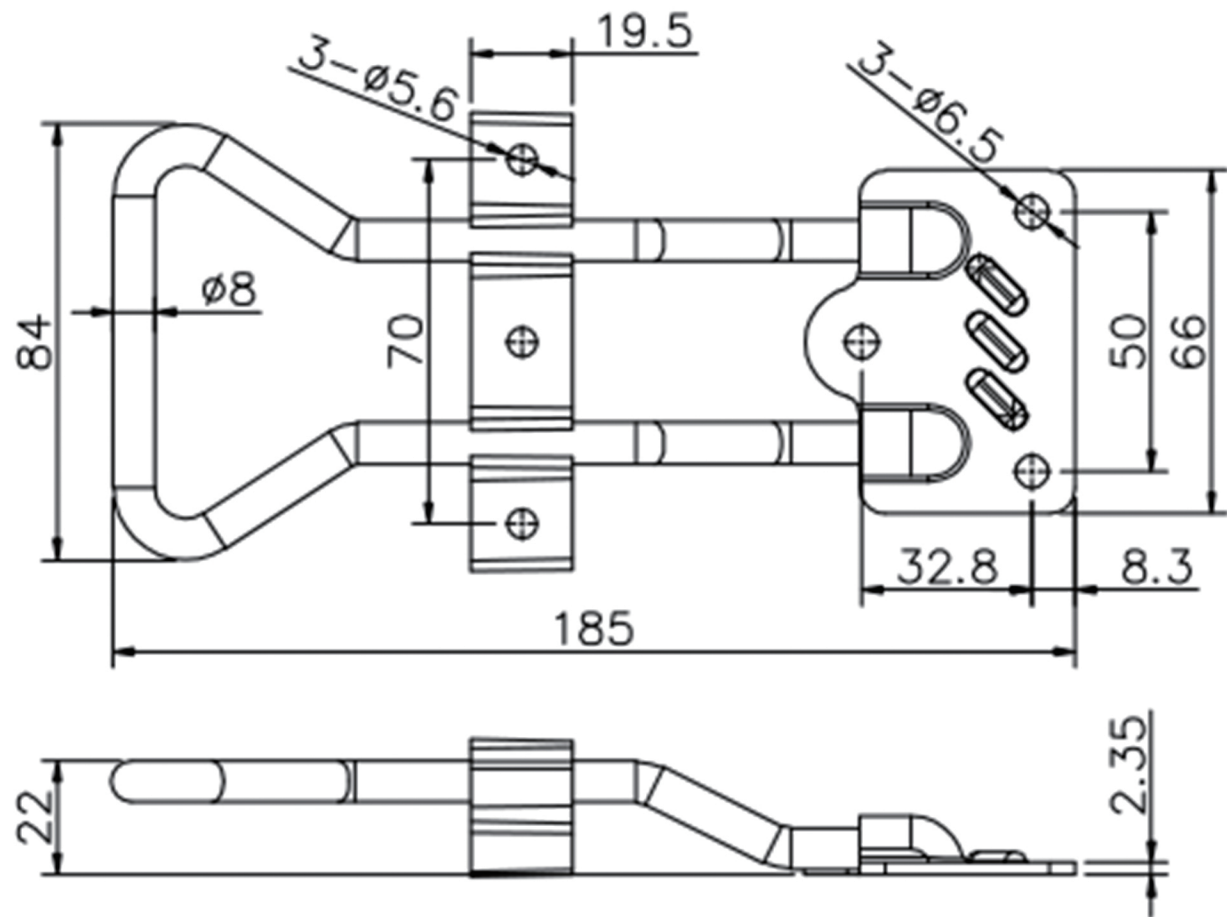
Overall drawing



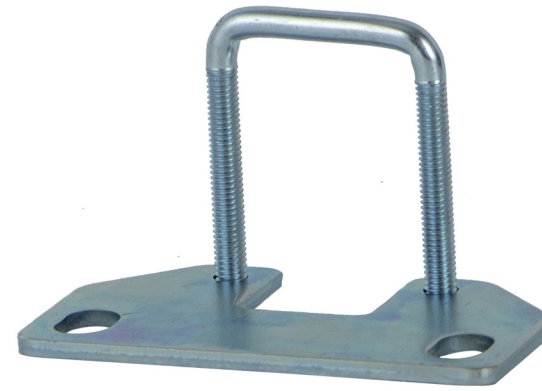
◆ 4025 Handle



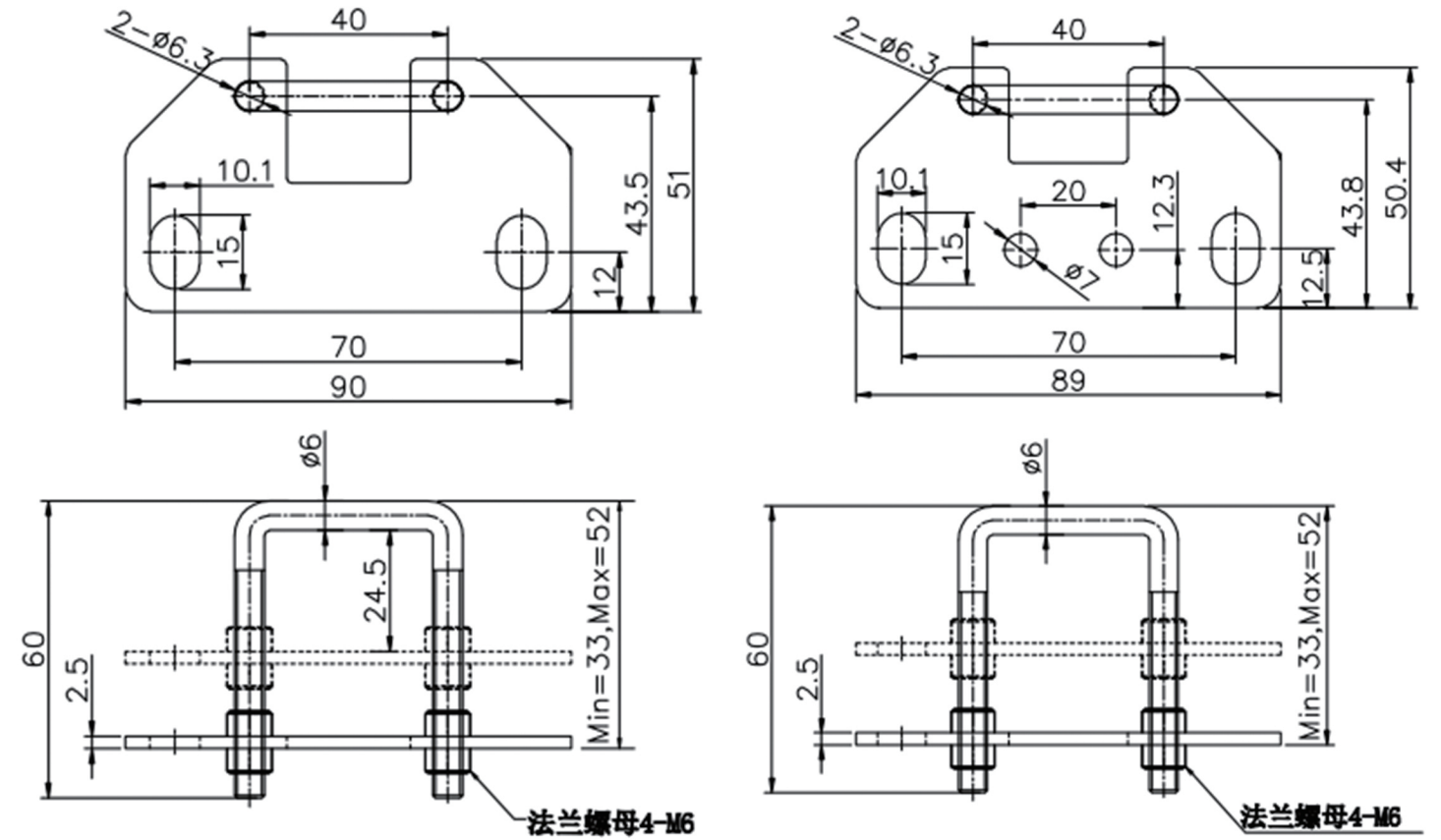
Overall drawing



◆ 4026 Striker series



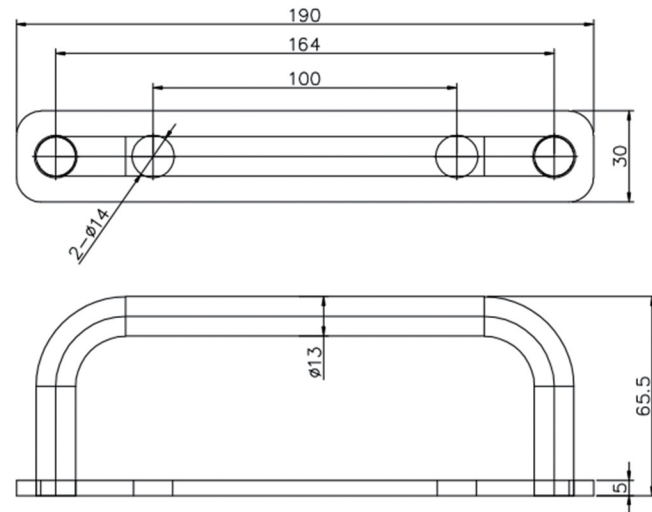
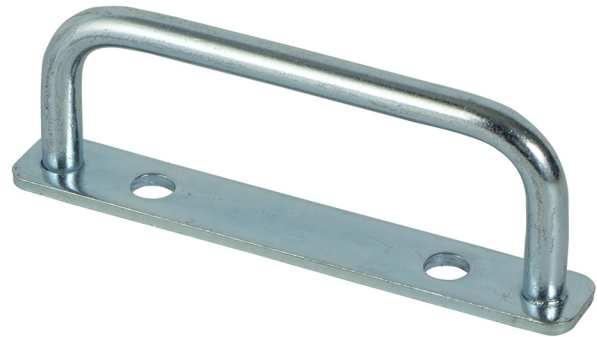
Overall drawing



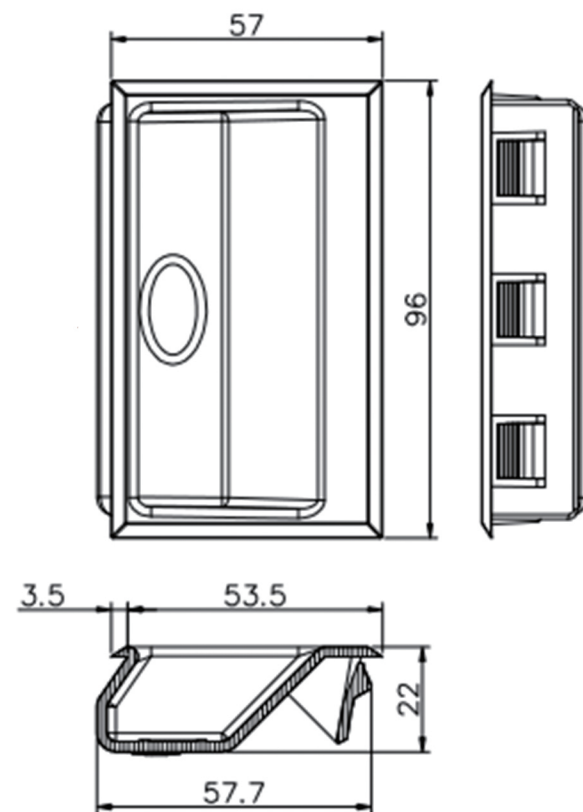
4026 -A

4026 -B

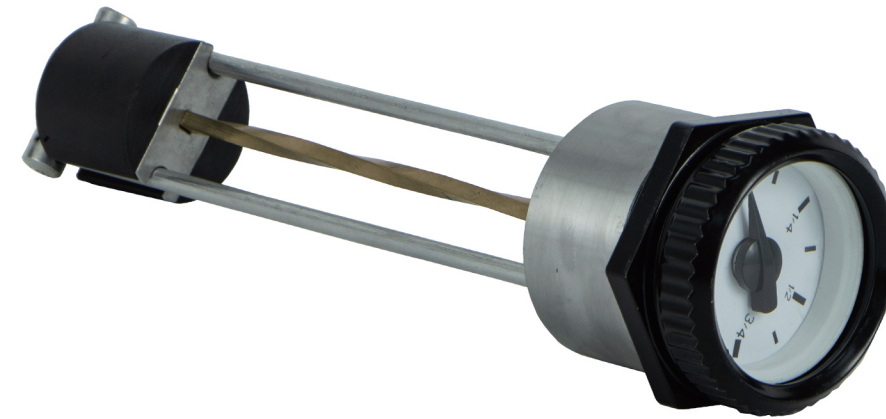
◆ 4028 Doorknob



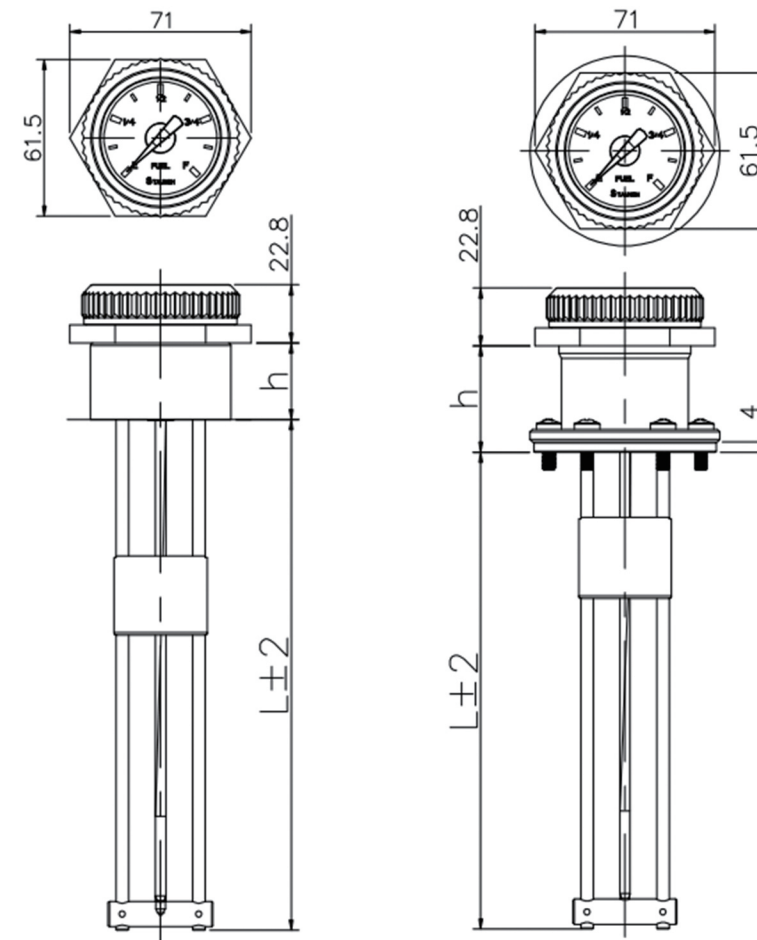
◆ 4029 Plastic handle



◆ 4030 Oil gauge



Overall drawing, gasket, Panel drilling
Dimensions



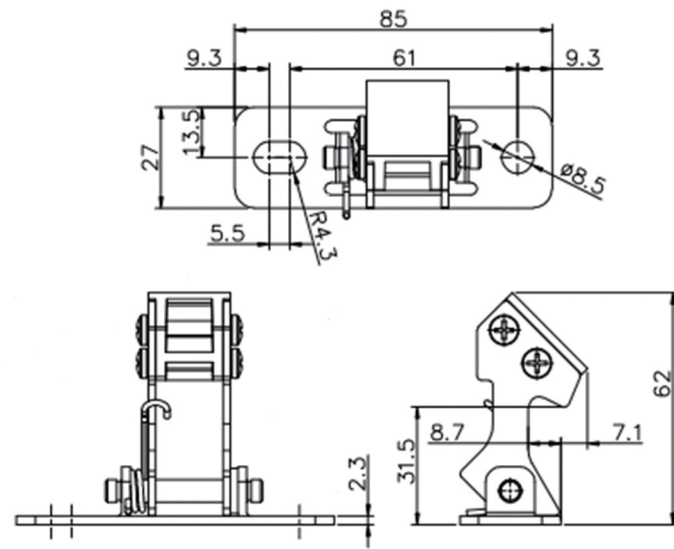
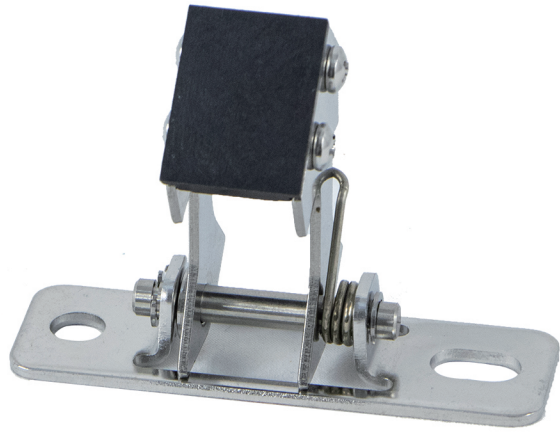
4030-A

4030-B

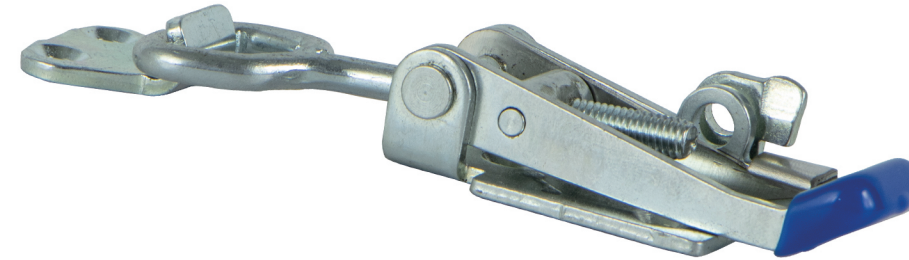
Optional accessories		
Item	Material	screw thread
connector	Iron color	Metric/Imperial

Series A	L(mm)	H(mm)
4030-A30-80	80	30
4030-A30-100	100	30
4030-A30-120	120	30
4030-A30-150	150	30
4030-A30-180	180	30
4030-A30-200	200	30
4030-A30-250	250	30
4030-A30-300	300	30
4030-A30-400	400	30
4030-A30-500	500	30
Series B	L(mm)	H(mm)
4030-B22-200	200	22
4030-B42-250	250	42
4030-B42-300	300	42

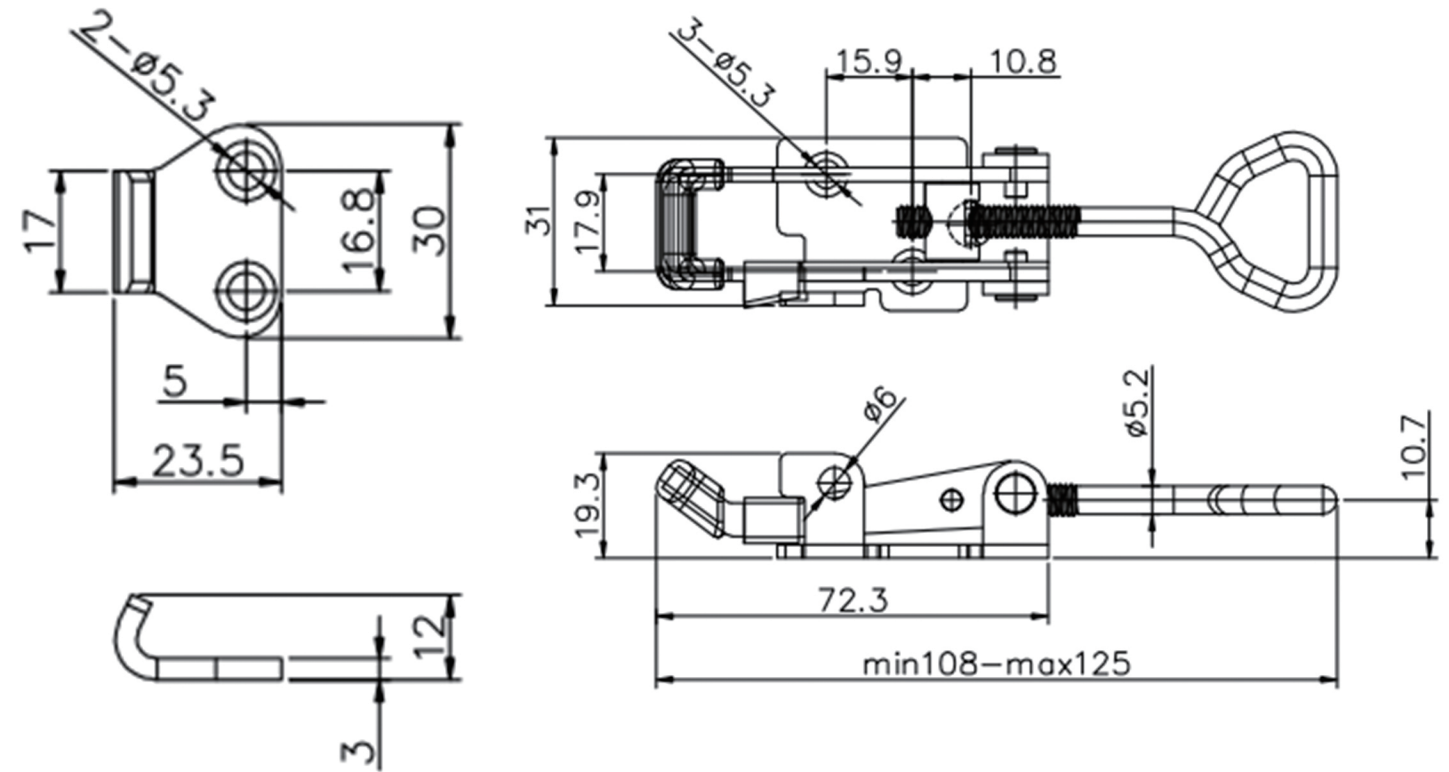
◆ 4031 Single hook



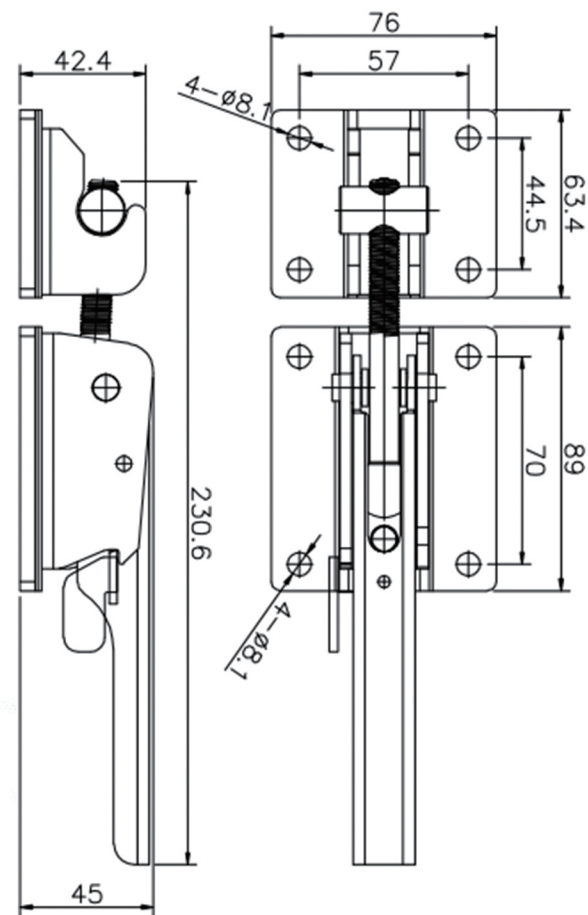
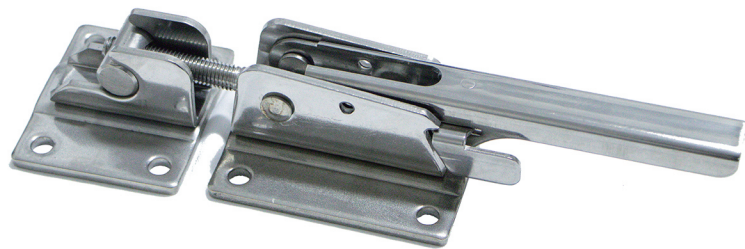
◆ 4041 Hook



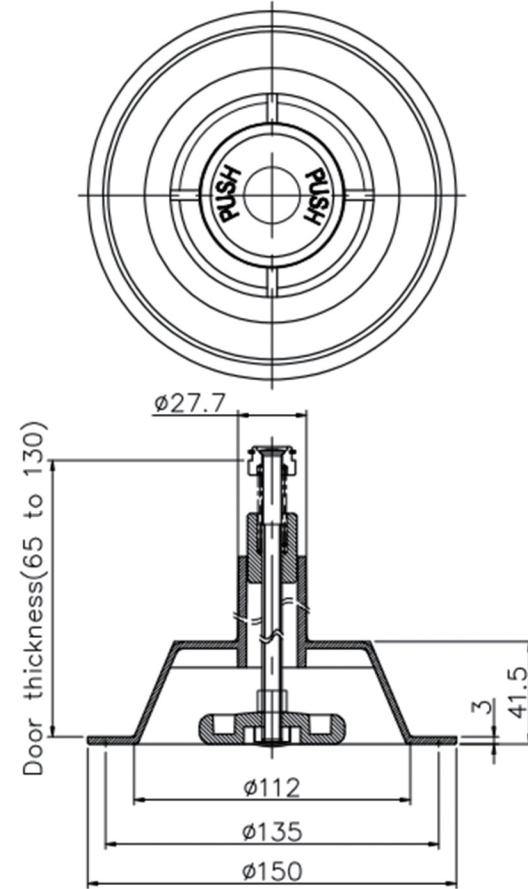
Overall drawing



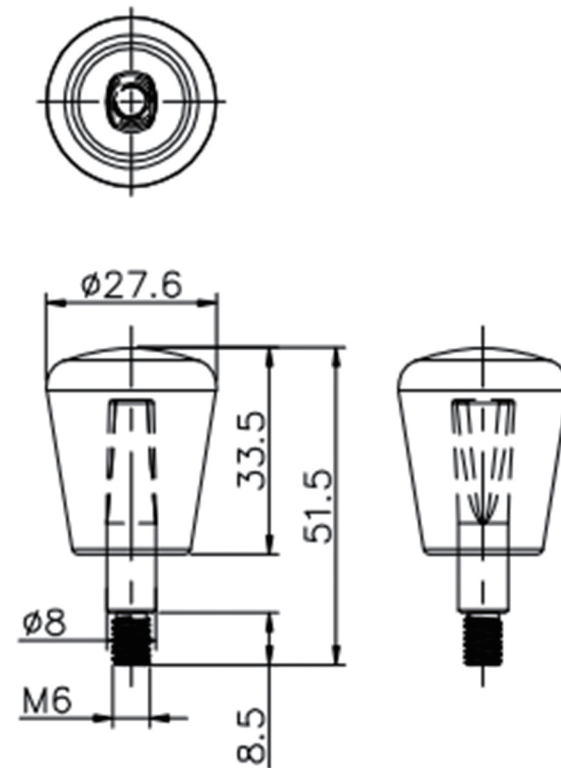
◆ 4035 Cold chain carriages lock



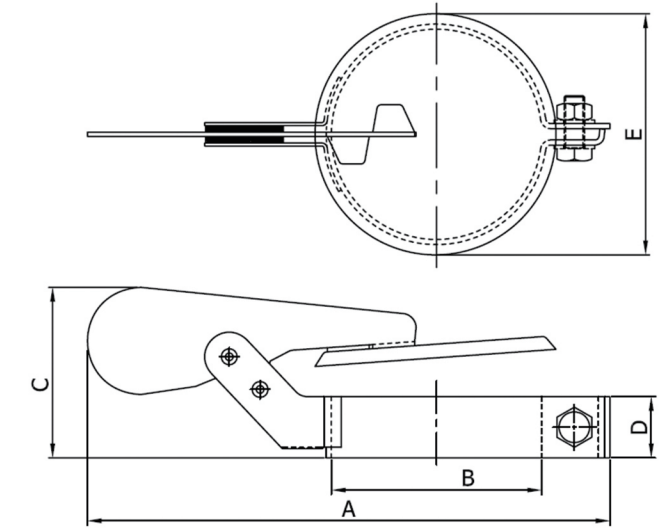
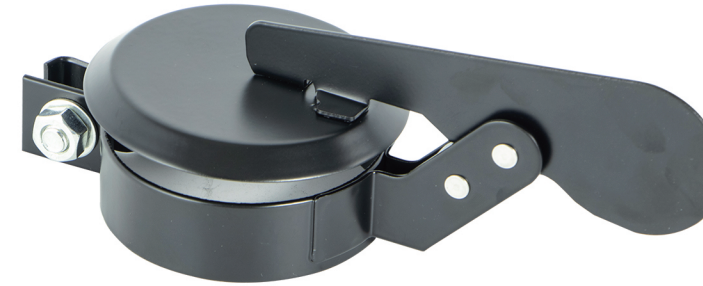
◆ APR01 Internal release



◆ APR02 Internal release



◆ Rain cap series



Model	Dimensions (mm)	A	B	C	D	E
50050		209	Φ50	76	25	65
50060		213	Φ60	76	25	75
50076		229	Φ76	76	25	89
50080		242	Φ80	84	30	104
50089		242	Φ89	84	30	104
50103		256	Φ103	85.5	30	118
50114		267	Φ114	85.5	30	129
50127		282	Φ127	85.5	30	150
50139		292	Φ139	87	30	162
50160		405	Φ160	99	30	186
50170		417	Φ170	99	30	196
50219		460	Φ219	95	30	242
50273		518	Φ273	95	30	297
50323		565	Φ323	95	30	350