

# 02 Container locks

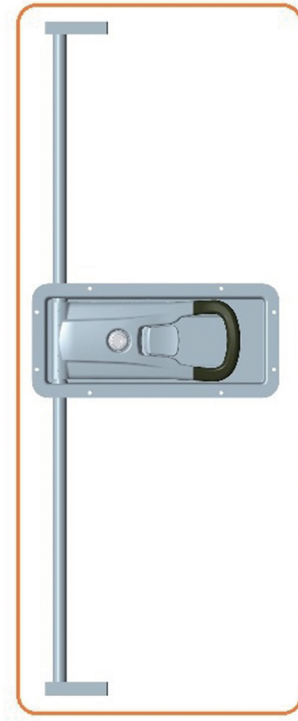
P47~90



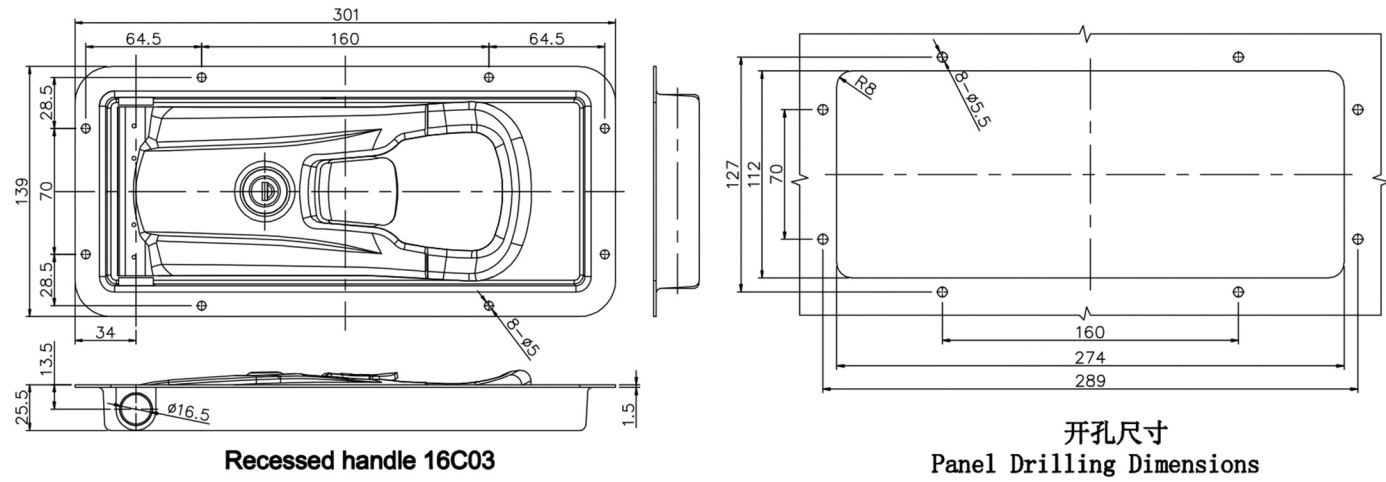
## ◆ Container lock series

|       |       |       |         |       |       |
|-------|-------|-------|---------|-------|-------|
|       |       |       |         |       |       |
| 16C03 | 16C07 | 22A02 | 22A03   | 22A07 | 22A08 |
|       |       |       |         |       |       |
| 22A09 | 22B01 | 22B02 | 25A02   | 27A02 | 27A03 |
|       |       |       |         |       |       |
| 27A06 | 27B01 | 27B02 | 27B02-B | 27B03 | 27B13 |
|       |       |       |         |       |       |
| 66043 |       |       |         |       |       |

◆ 16C03



Overall drawing, Panel drilling Dimensions

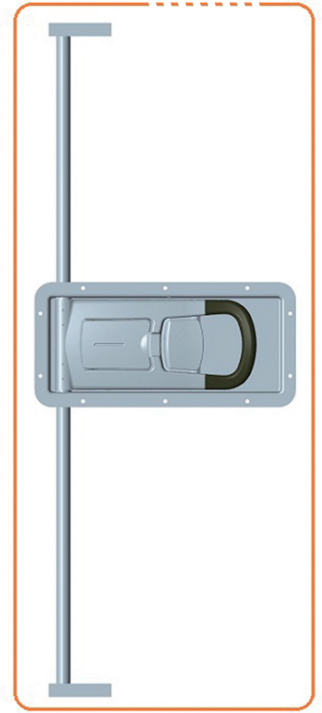
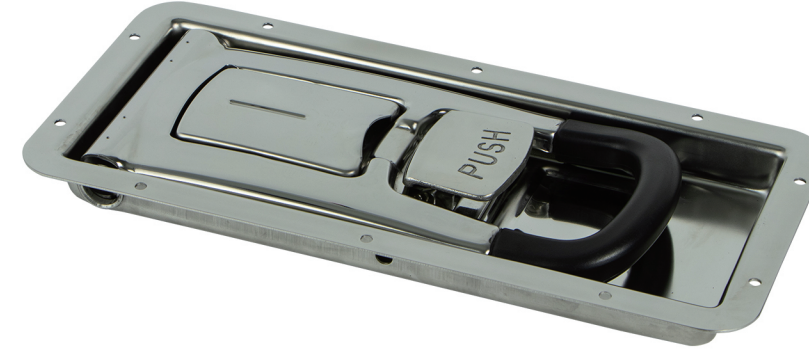


Recessed handle 16C03

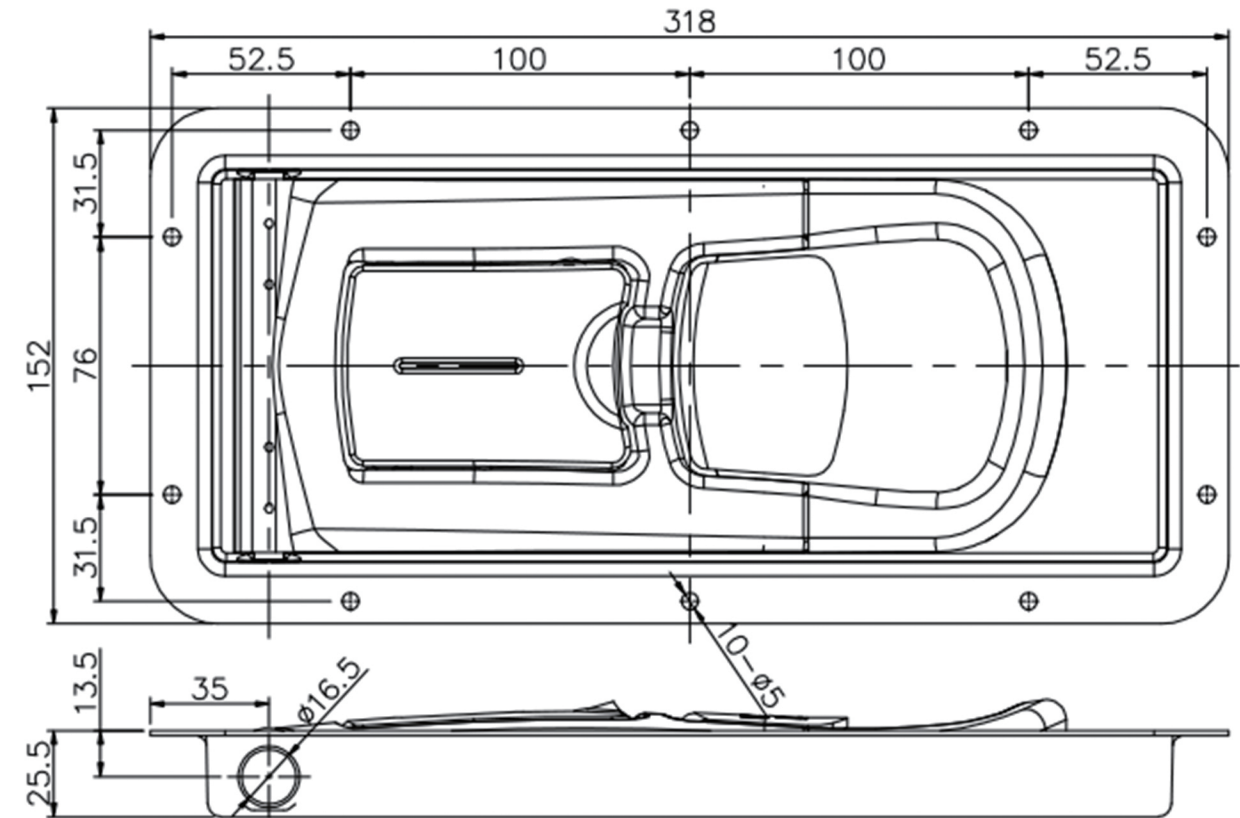
开孔尺寸  
Panel Drilling Dimensions

| Model | Material | Surface treatment | Performance specification          | Optional items |
|-------|----------|-------------------|------------------------------------|----------------|
| 16C03 | SUS304   | Bright polished   | SUS<br>Maximum radial load : 2.8KN |                |

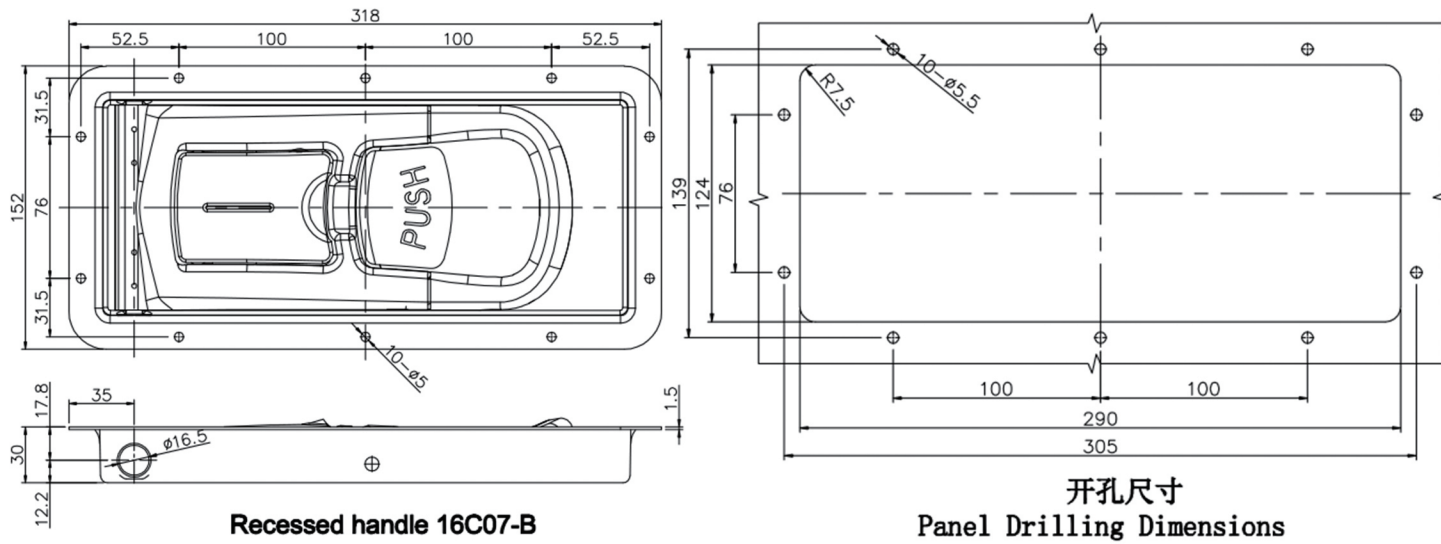
◆ 16C07



Overall drawing, Panel drilling Dimensions

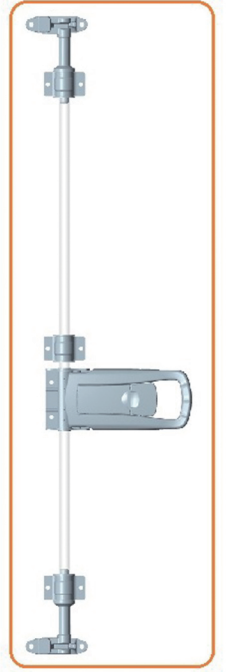


Recessed handle 16C07



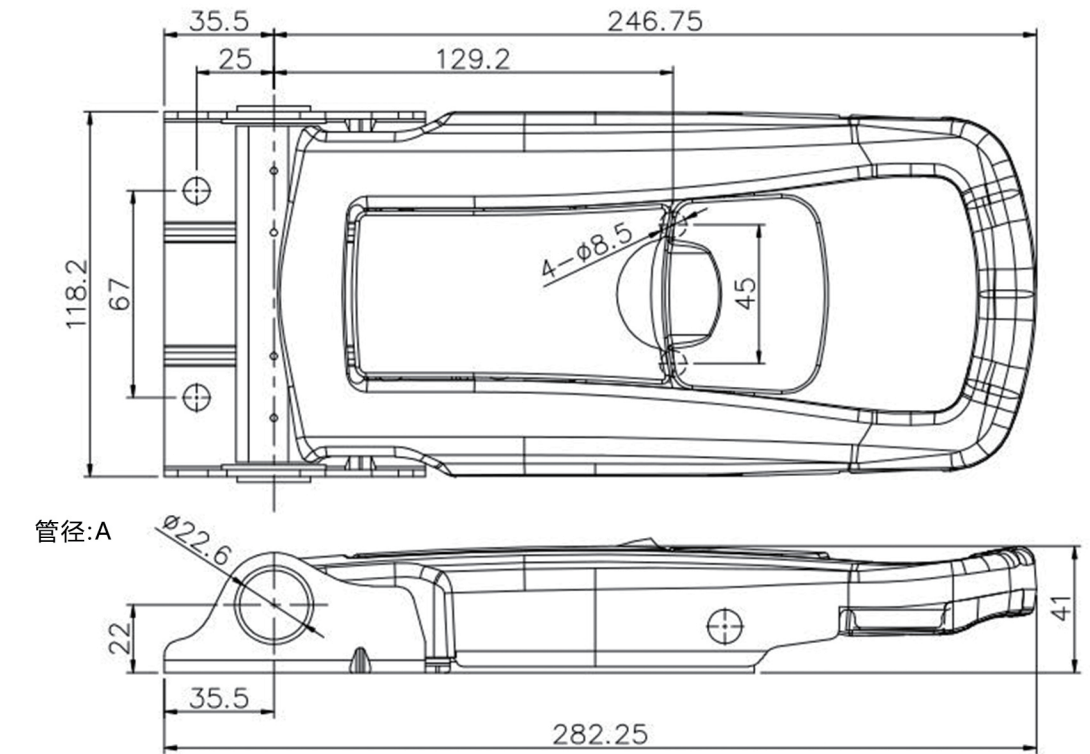
| Model            | Material | Surface treatment | Performance specification          | Optional items |
|------------------|----------|-------------------|------------------------------------|----------------|
| 16C07<br>16C07-B | SUS304   | Bright polished   | SUS<br>Maximum radial load : 3.2KN |                |

◆ 22A02



Overall drawing

| Pipe diameter : A |      |
|-------------------|------|
| 20A02             | 20.6 |
| 22A02             | 22.6 |

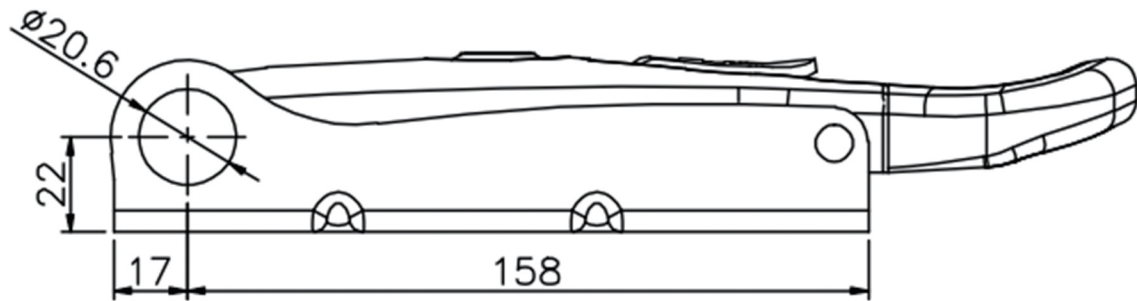
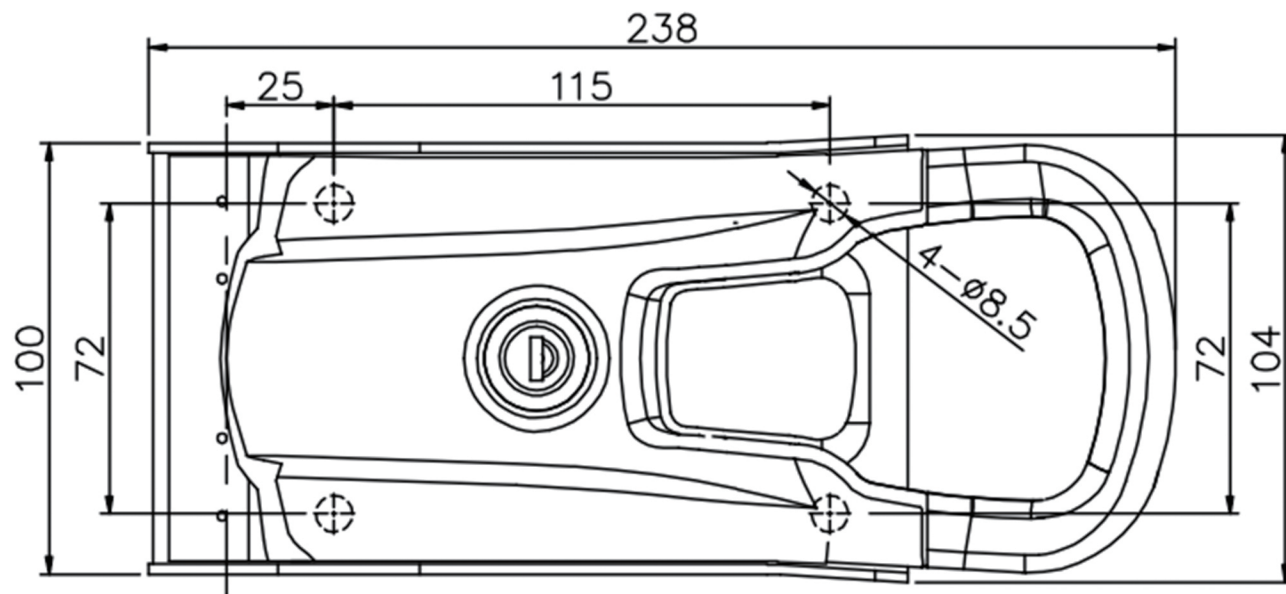


| Model          | Material | Surface treatment | Performance specification          | Optional items |
|----------------|----------|-------------------|------------------------------------|----------------|
| 20A02<br>22A02 | SUS304   | Bright polished   | SUS<br>Maximum radial load : 3.5KN |                |

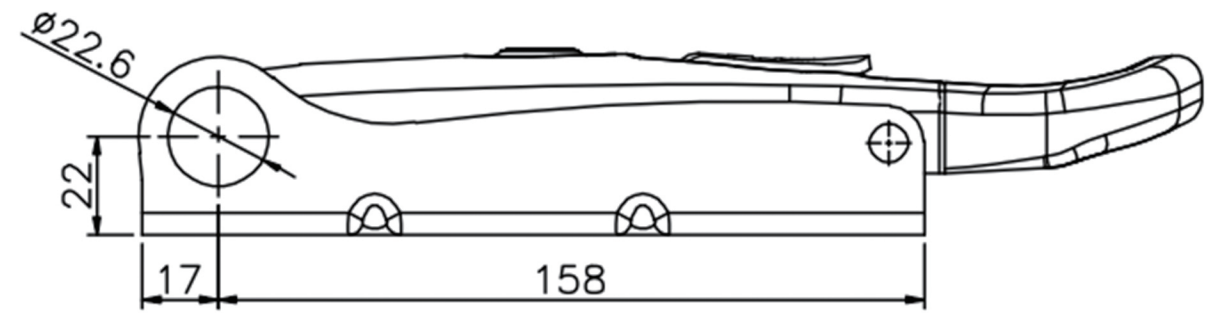
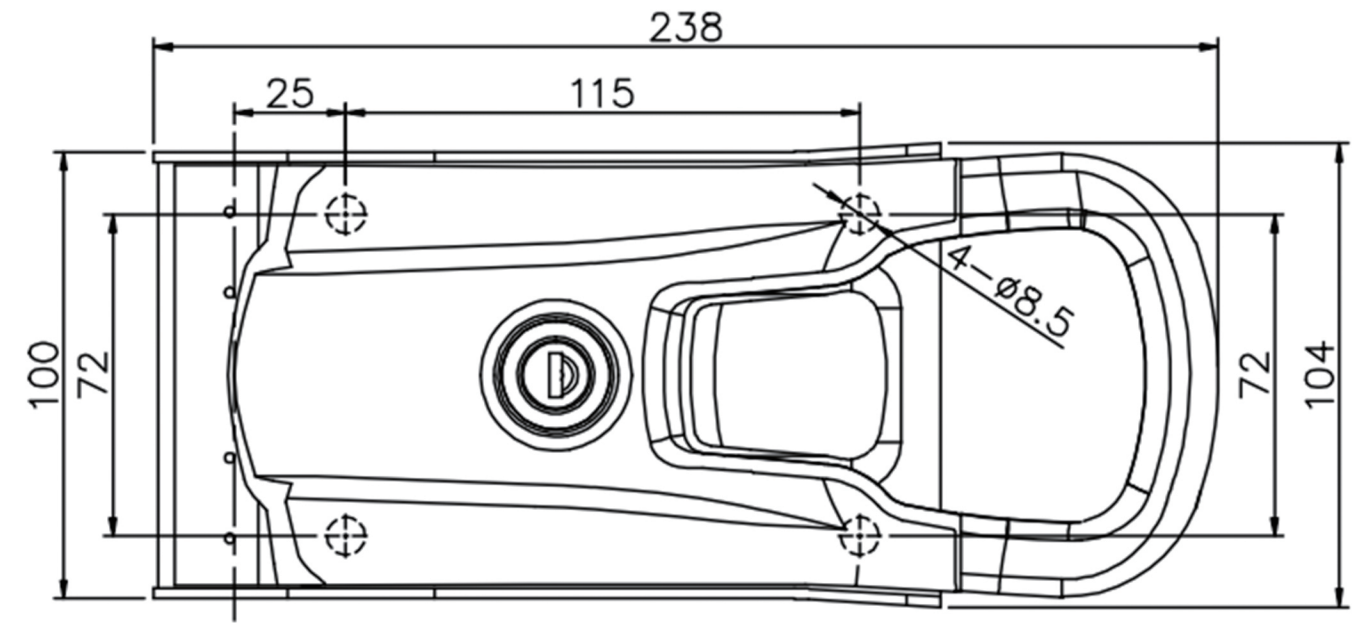
◆ 20A03 / 22A03



Overall drawing



20A03



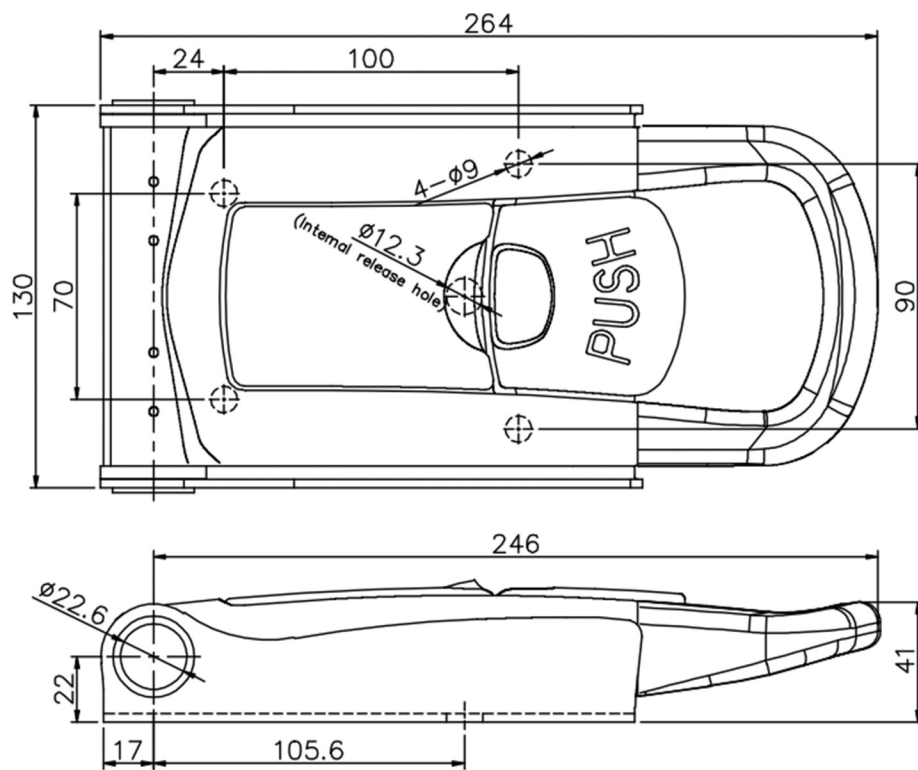
22A03

| Model          | Material | Surface treatment | Performance specification          | Optional items |
|----------------|----------|-------------------|------------------------------------|----------------|
| 20A03<br>22A03 | SUS304   | Bright polished   | SUS<br>Maximum radial load : 2.8KN |                |

◆ 22A07

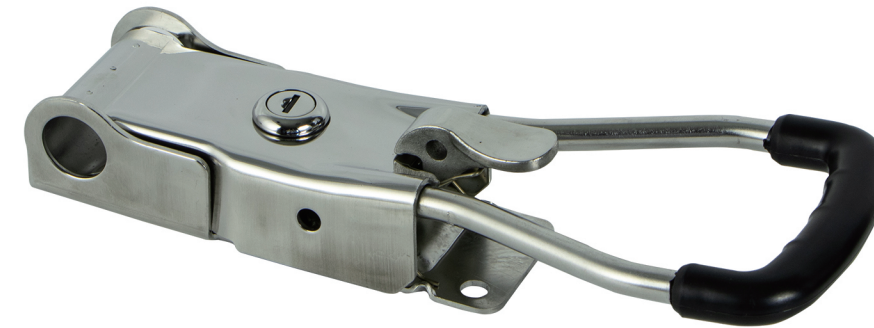


Overall drawing

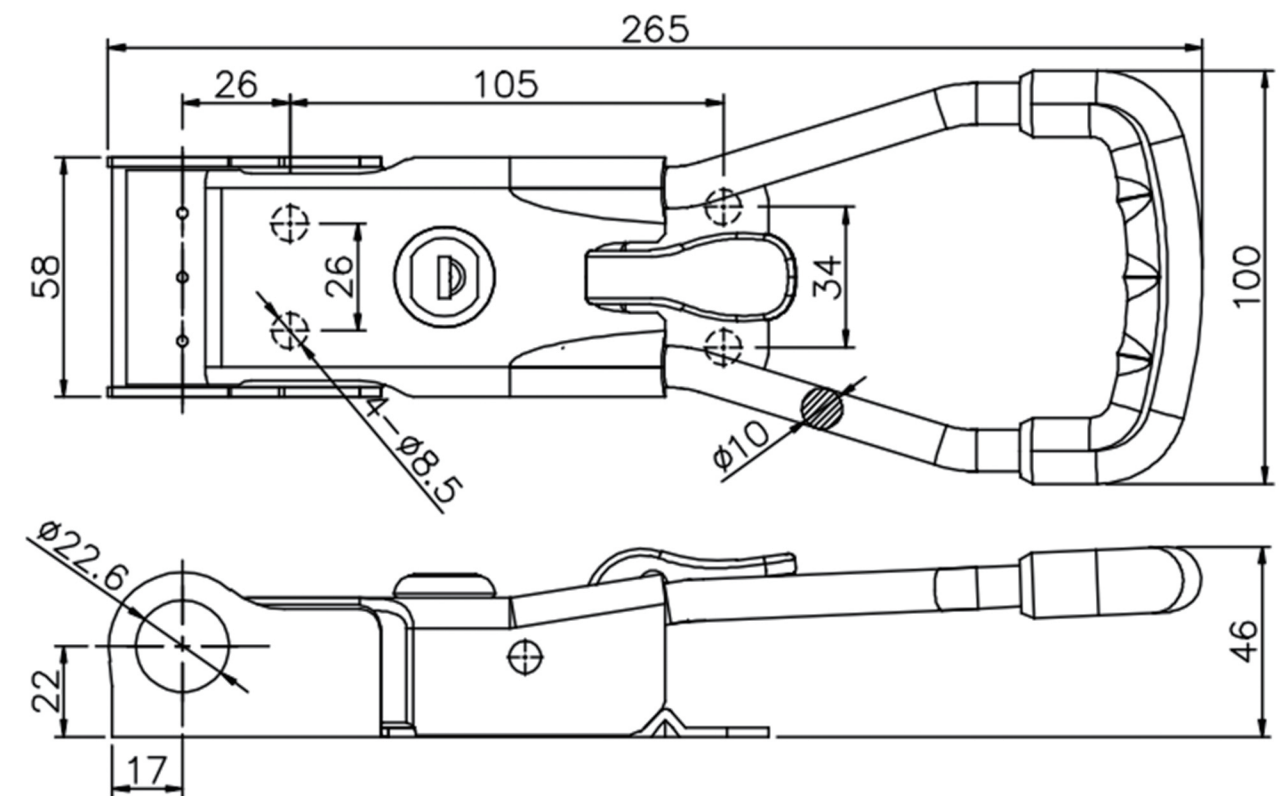


| Model | Material | Surface treatment | Performance specification   | Optional items |
|-------|----------|-------------------|-----------------------------|----------------|
| 22A07 | SUS304   | Bright polished   | SUS                         |                |
|       |          |                   | Maximum radial load : 2.8KN |                |

◆ 22A08



Overall drawing

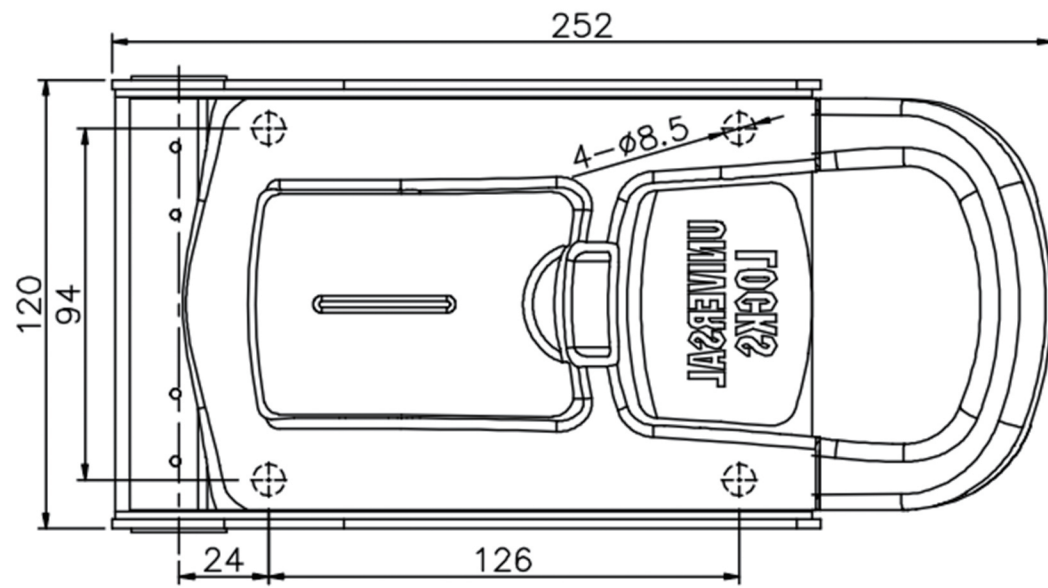


| Model | Material | Surface treatment | Performance specification   | Optional items |
|-------|----------|-------------------|-----------------------------|----------------|
| 22A08 | SUS304   | Bright polished   | SUS                         |                |
|       |          |                   | Maximum radial load : 3.2KN |                |

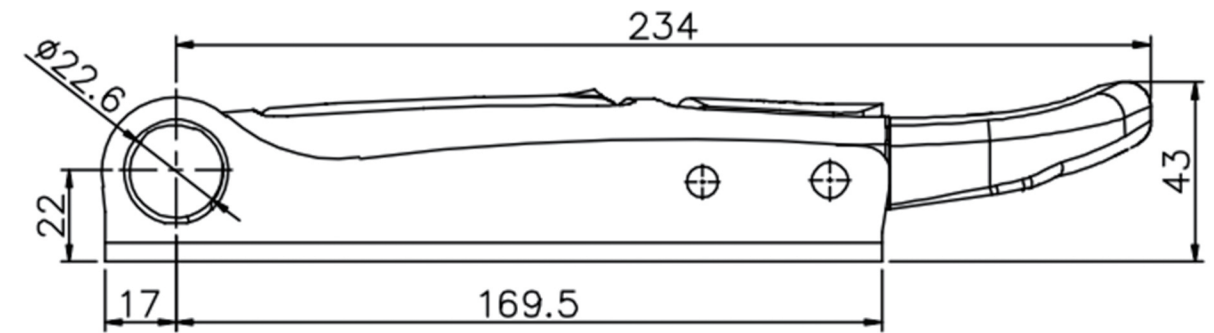
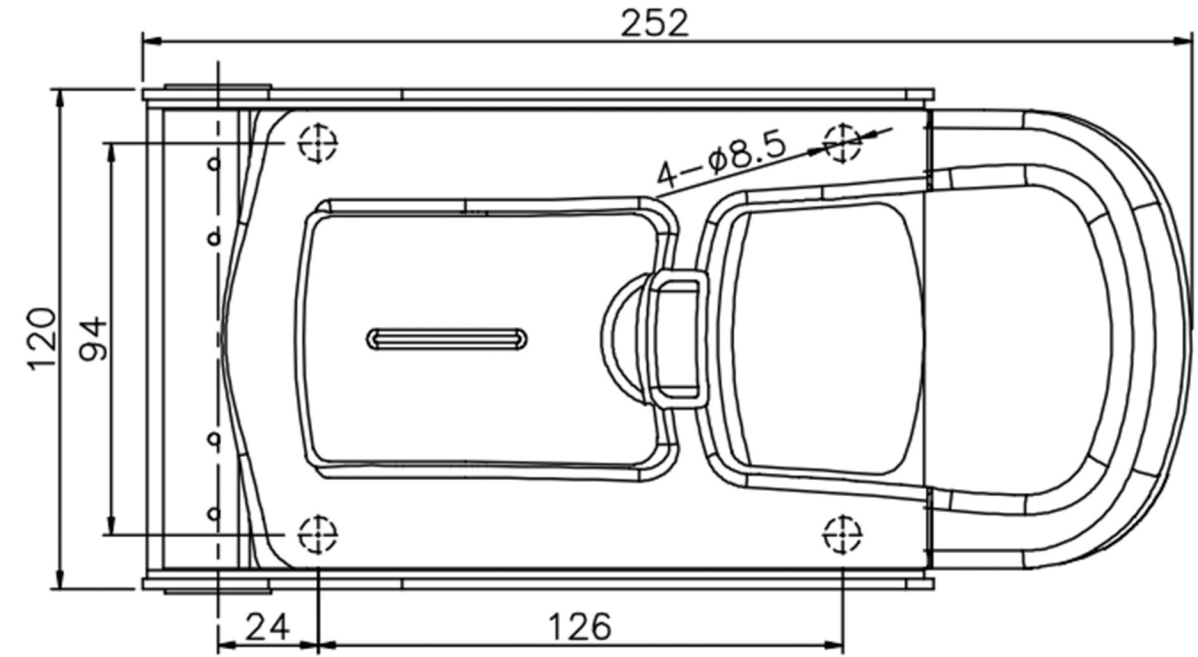
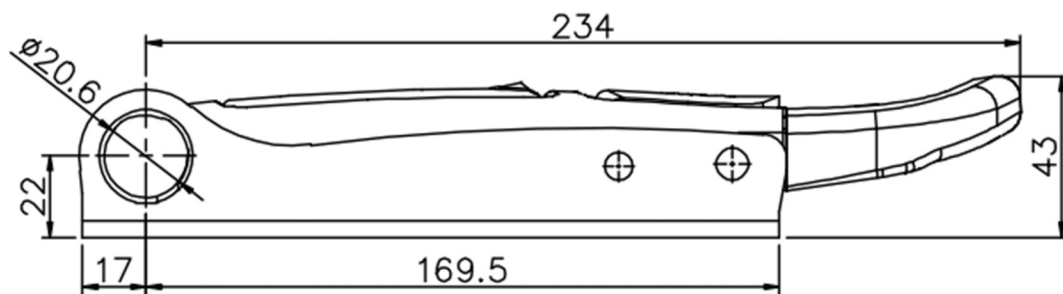
◆ 20A09 / 22A09



Overall drawing



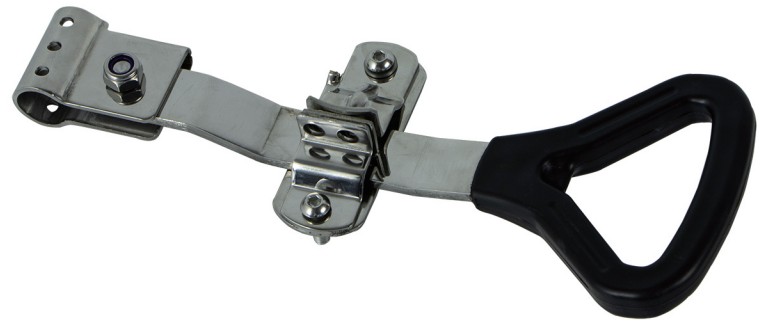
20A09



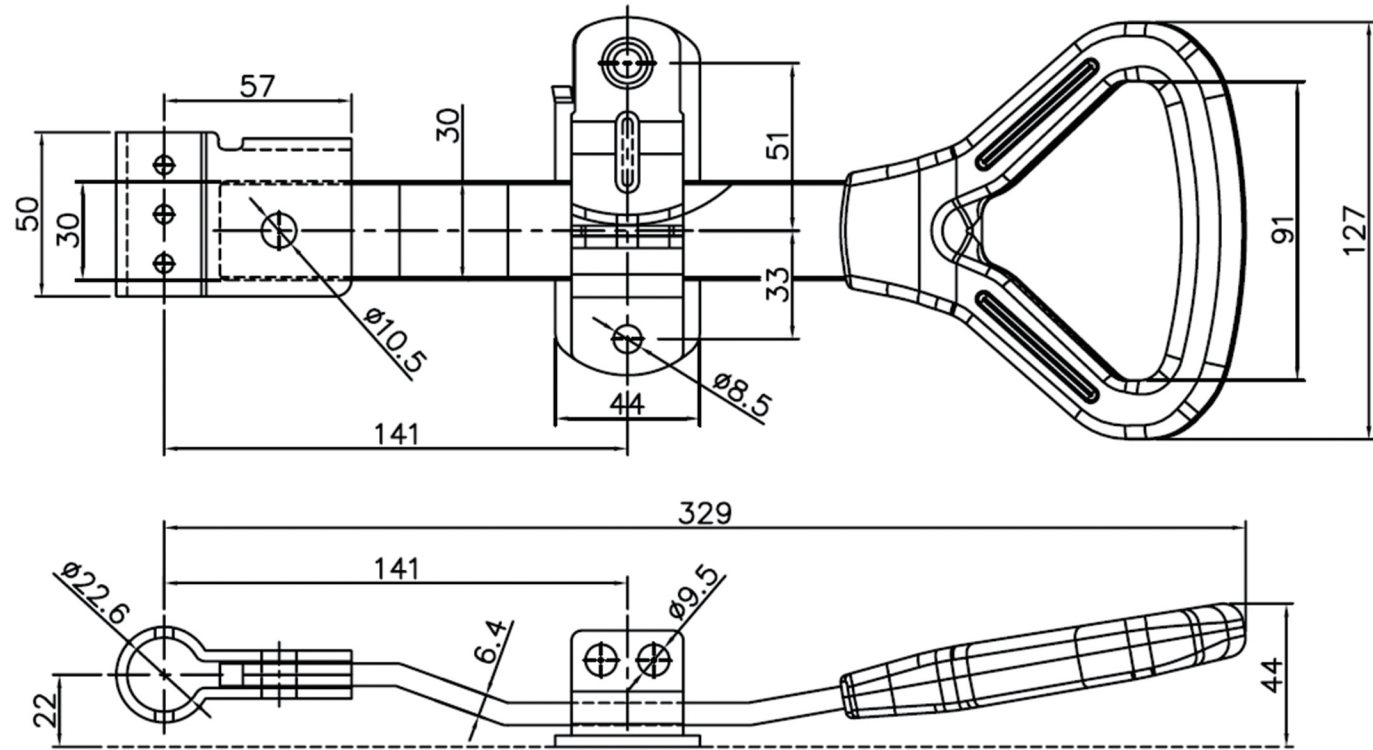
22A09

| Model          | Material | Surface treatment | Performance specification          | Optional items |
|----------------|----------|-------------------|------------------------------------|----------------|
| 20A09<br>22A09 | SUS304   | Bright polished   | SUS<br>Maximum radial load : 3.2KN |                |

◆ 22B01



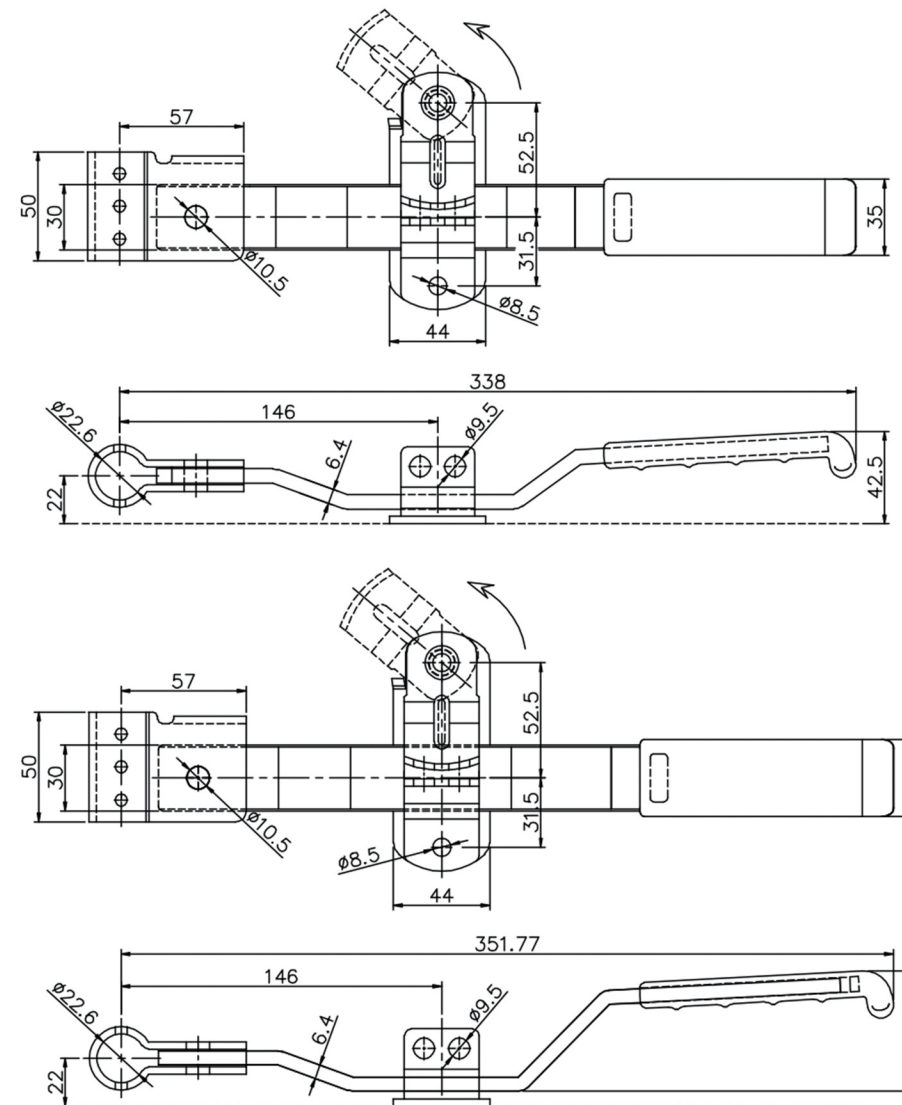
Overall drawing



◆ 22B02



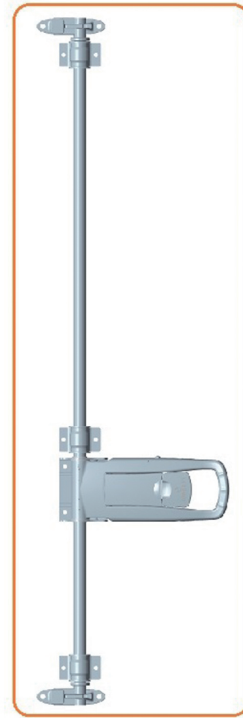
Overall drawing



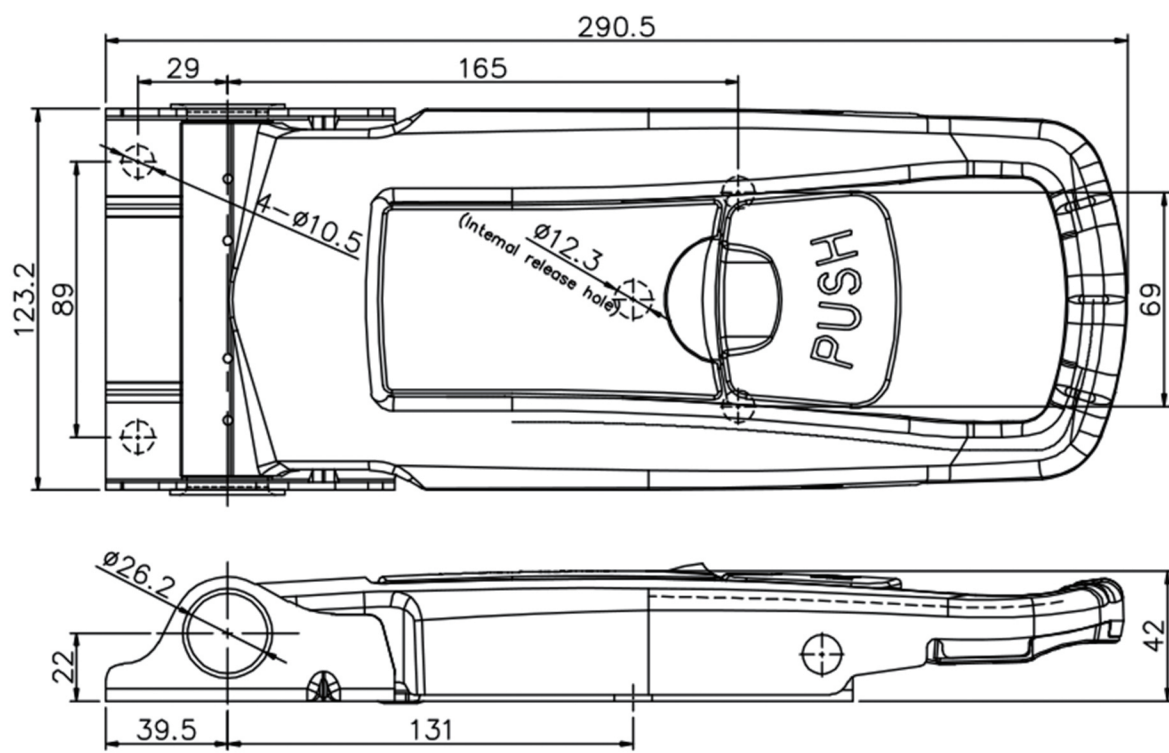
22B02

22B02-LX

◆ 25A02



Overall drawing

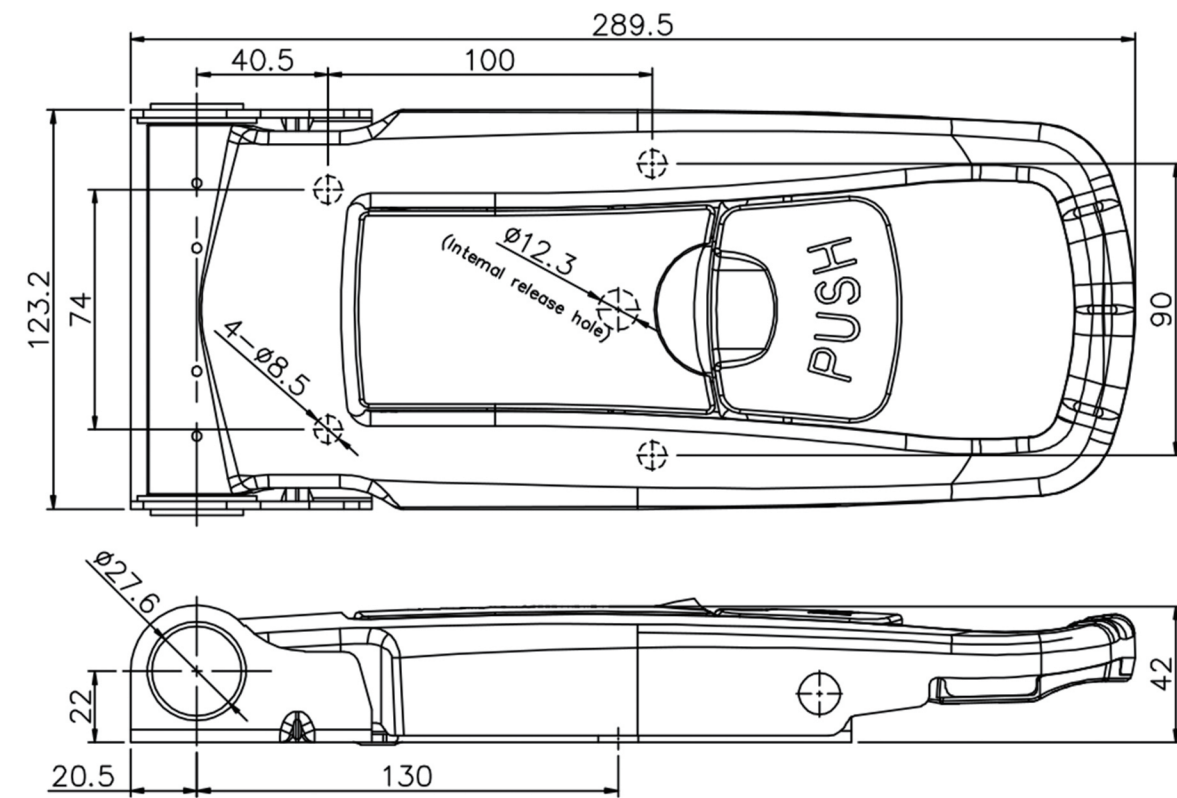


| Model | Material | Surface treatment | Performance specification   | Optional items |
|-------|----------|-------------------|-----------------------------|----------------|
| 25A02 | SUS304   | Bright polished   | SUS                         |                |
|       |          |                   | Maximum radial load : 3.8KN |                |

◆ 27A02



Overall drawing



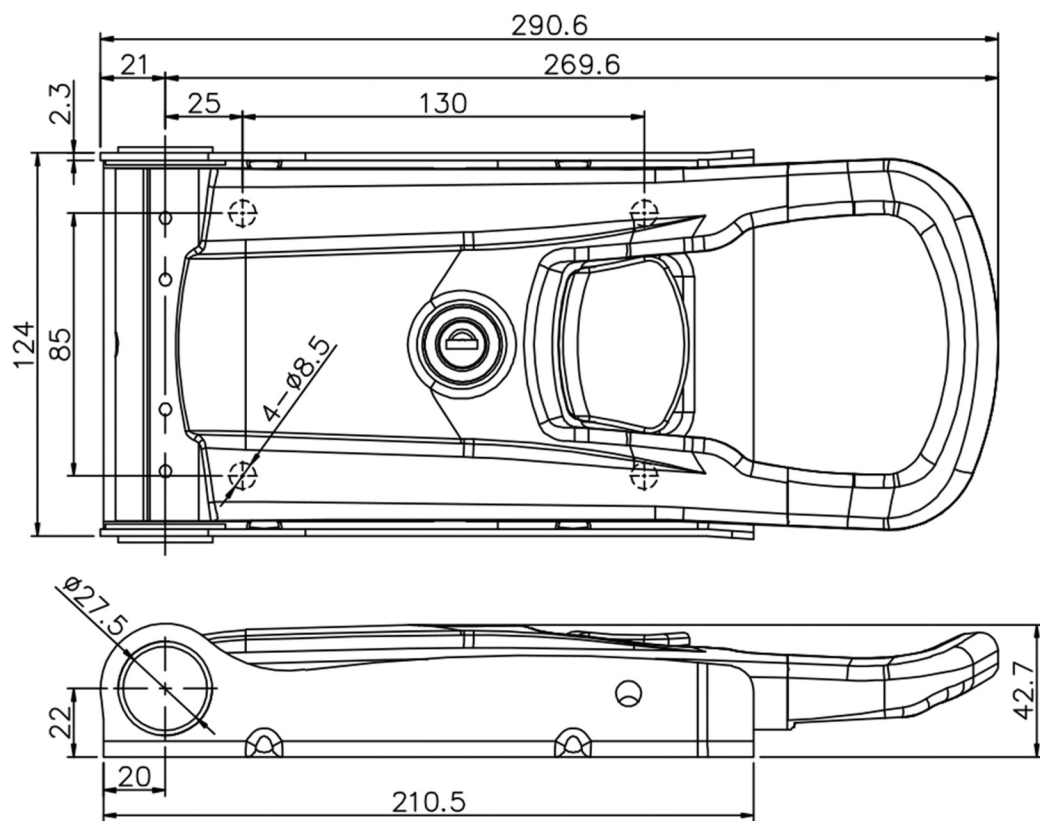
| Model | Material | Surface treatment | Performance specification   | Optional items |
|-------|----------|-------------------|-----------------------------|----------------|
| 27A02 | SUS304   | Bright polished   | SUS                         |                |
|       |          |                   | Maximum radial load : 3.8KN |                |



◆ 27A03

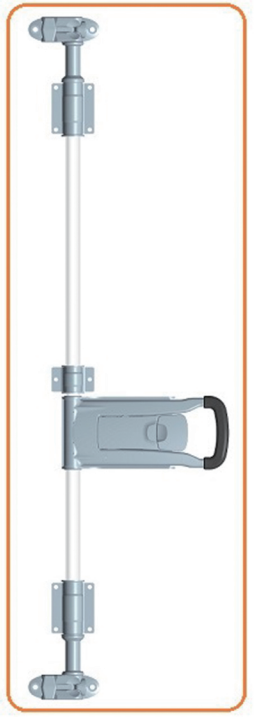


Overall drawing

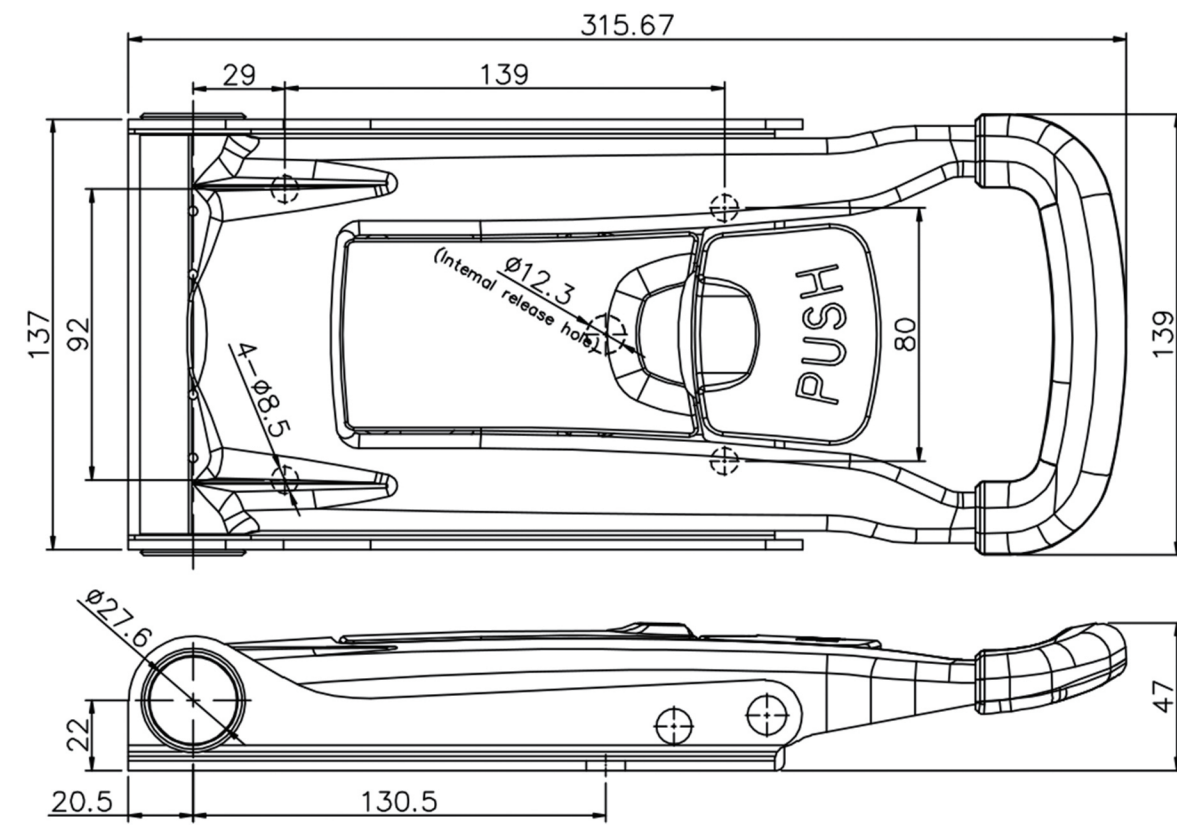


| Model | Material | Surface treatment | Performance specification   | Optional items |
|-------|----------|-------------------|-----------------------------|----------------|
| 27A03 | SUS304   | Bright polished   | SUS                         |                |
|       |          |                   | Maximum radial load : 3.3KN |                |

◆ 27A06



Overall drawing

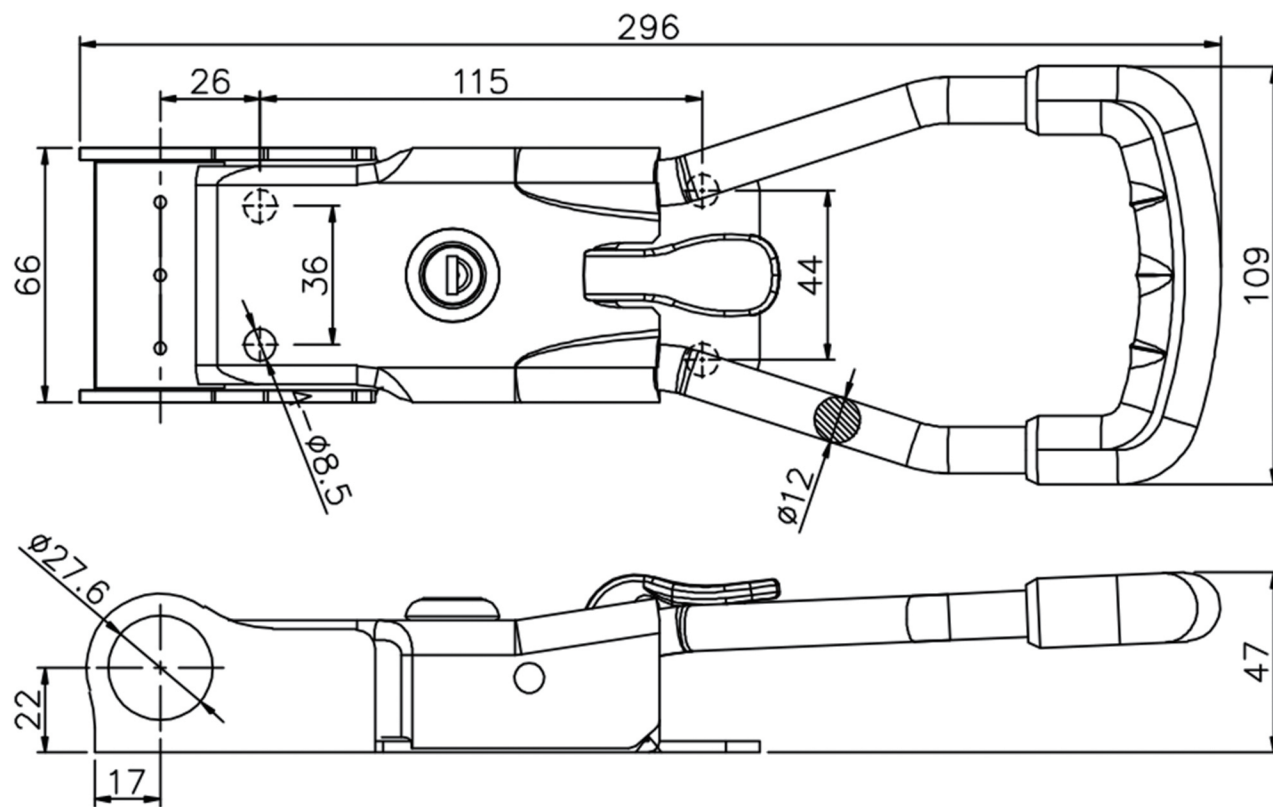


| Model | Material | Surface treatment | Performance specification   | Optional items |
|-------|----------|-------------------|-----------------------------|----------------|
| 27A06 | SUS304   | Bright polished   | SUS                         |                |
|       |          |                   | Maximum radial load : 3.8KN |                |

◆ 27A08



Overall drawing

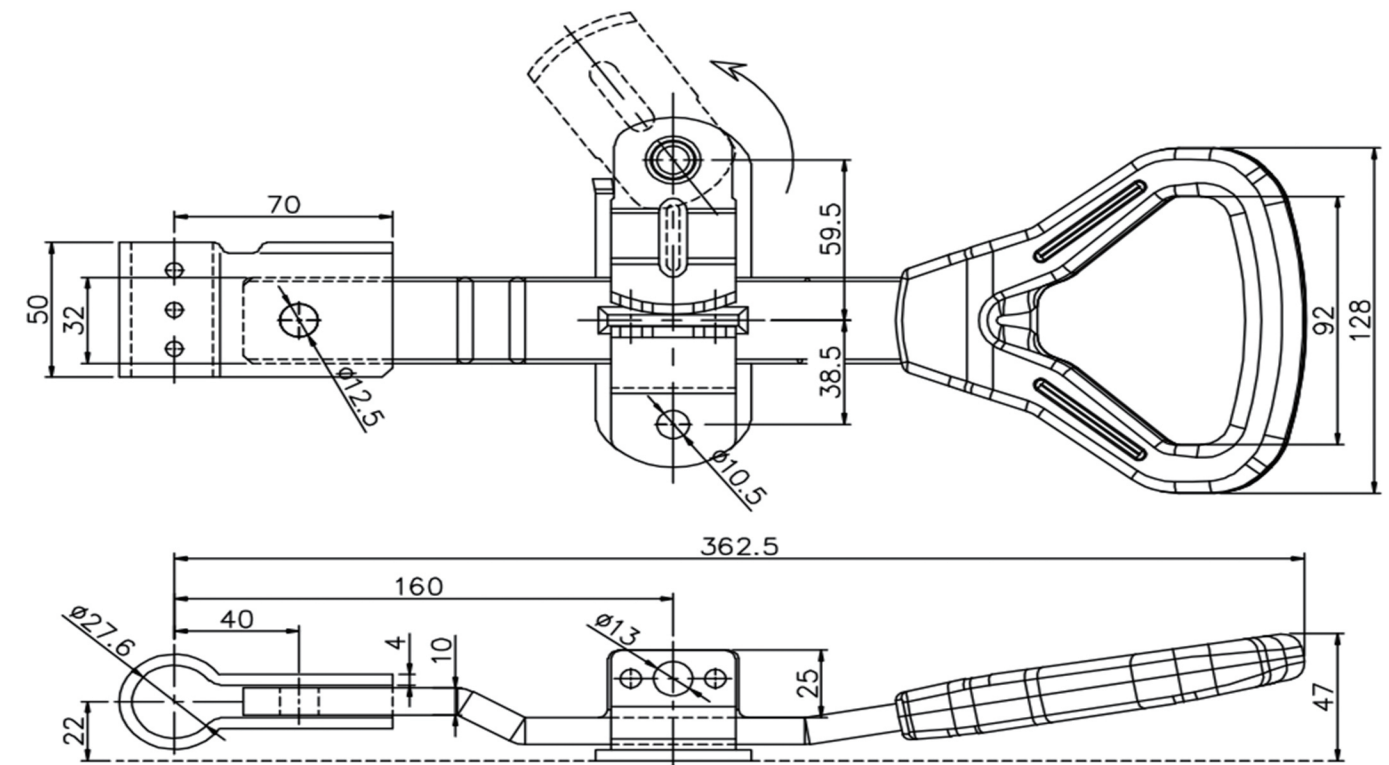


| Model | Material | Surface treatment | Performance specification          | Optional items |
|-------|----------|-------------------|------------------------------------|----------------|
| 27A08 | SUS304   | Bright polished   | SUS<br>Maximum radial load : 3.2KN |                |

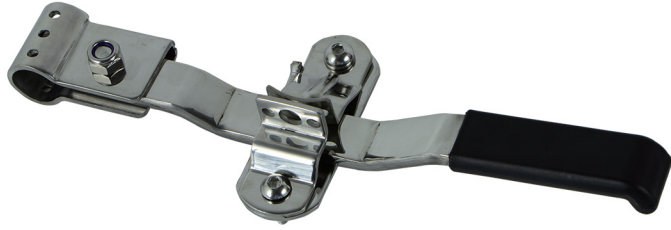
◆ 27B01



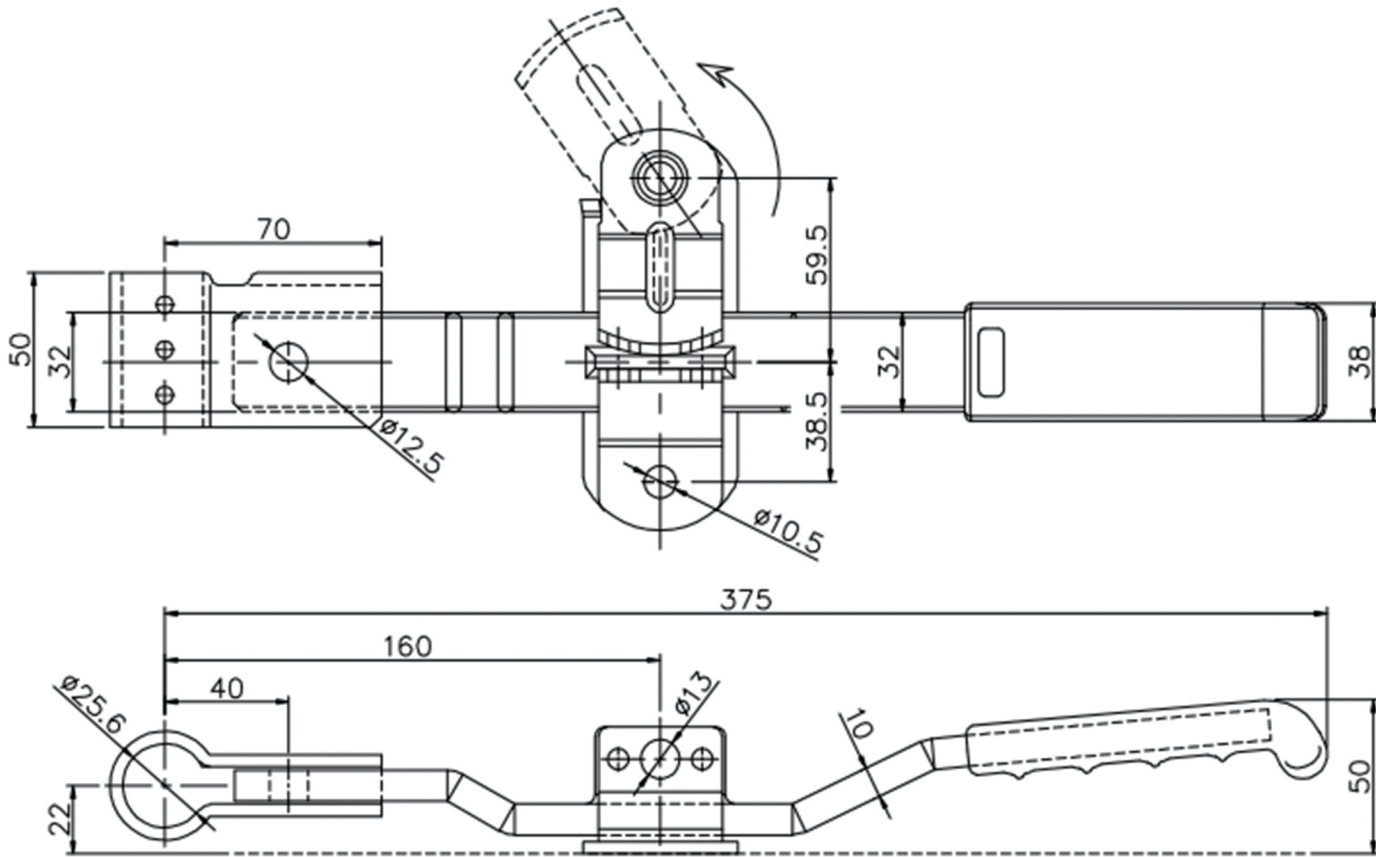
Overall drawing



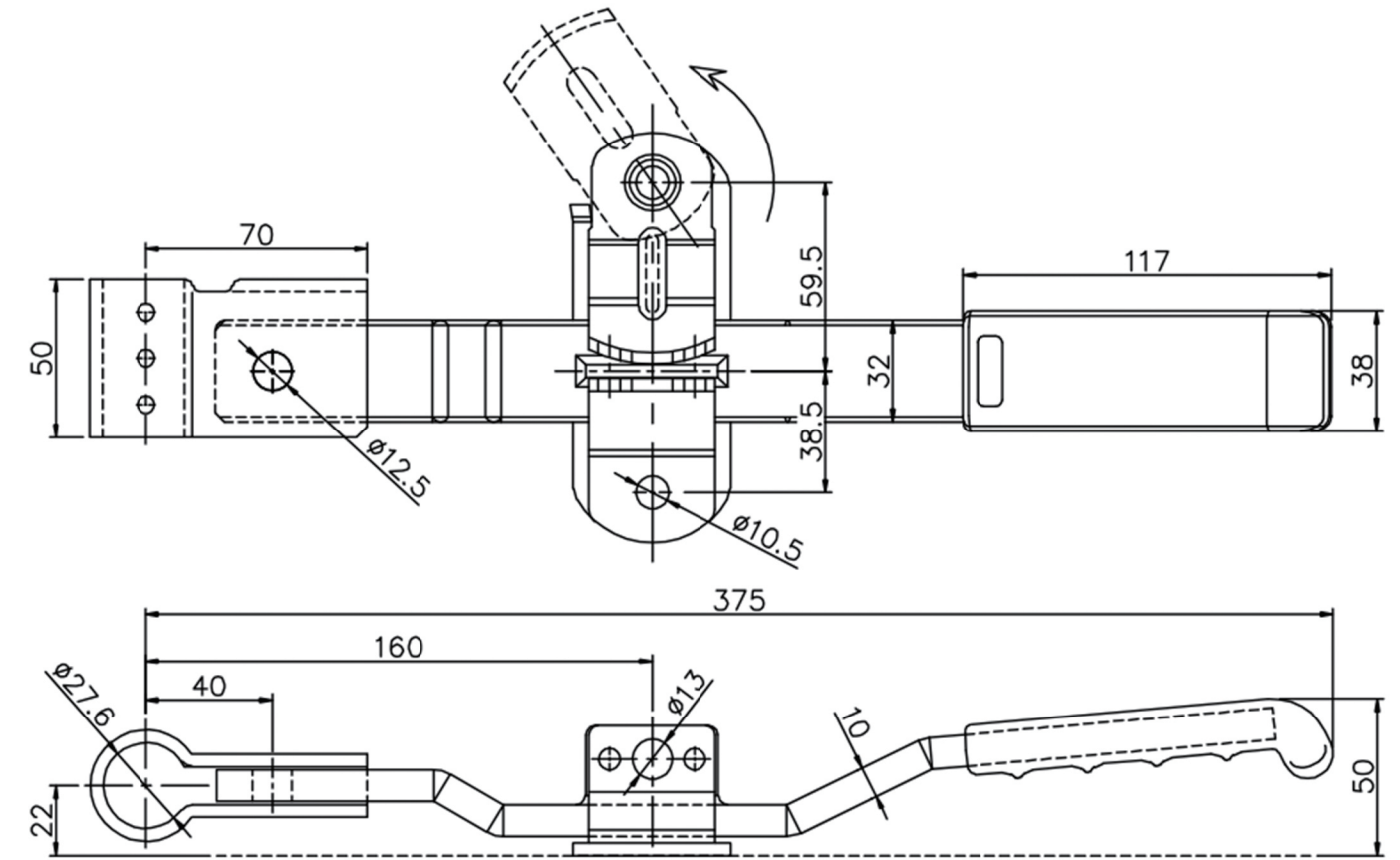
◆ 25B02 /27B02



Overall drawing



25B02



27B02

Optional accessories

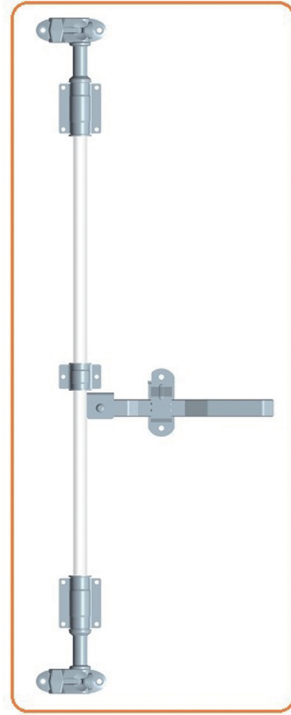
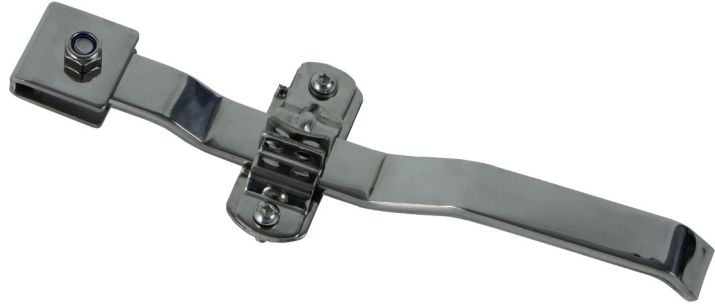


4046

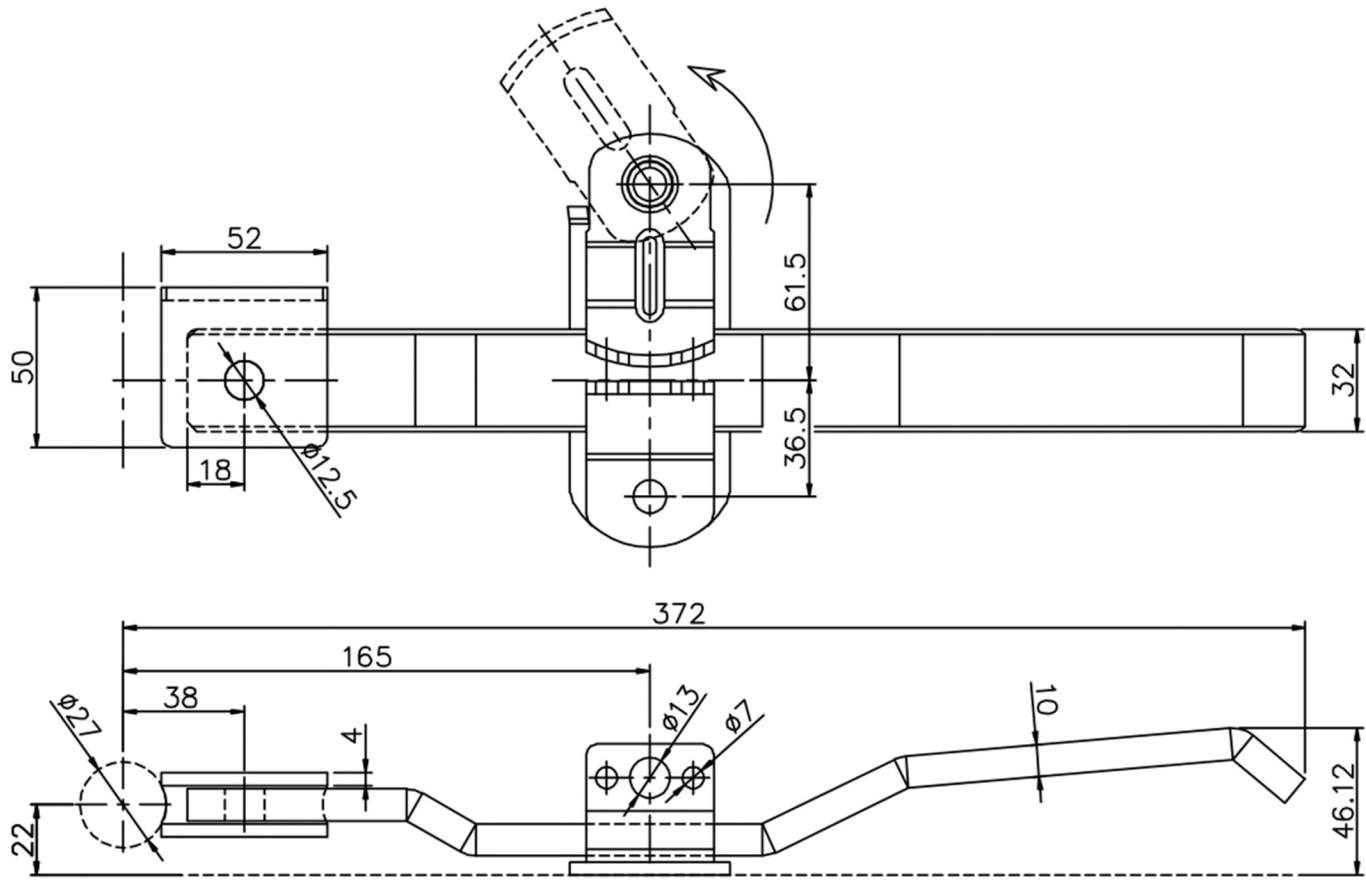


25B02/27B02+4046

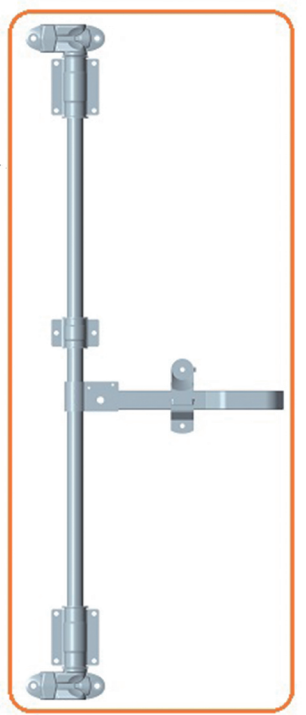
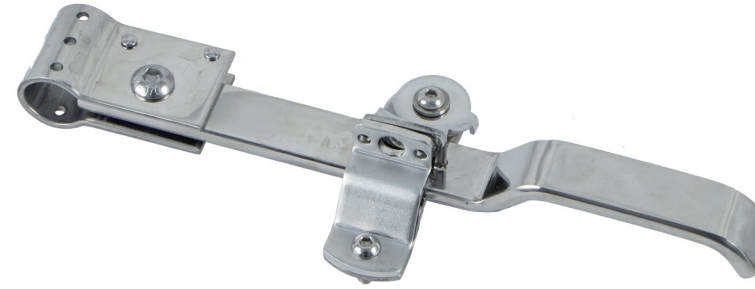
◆ 27B03



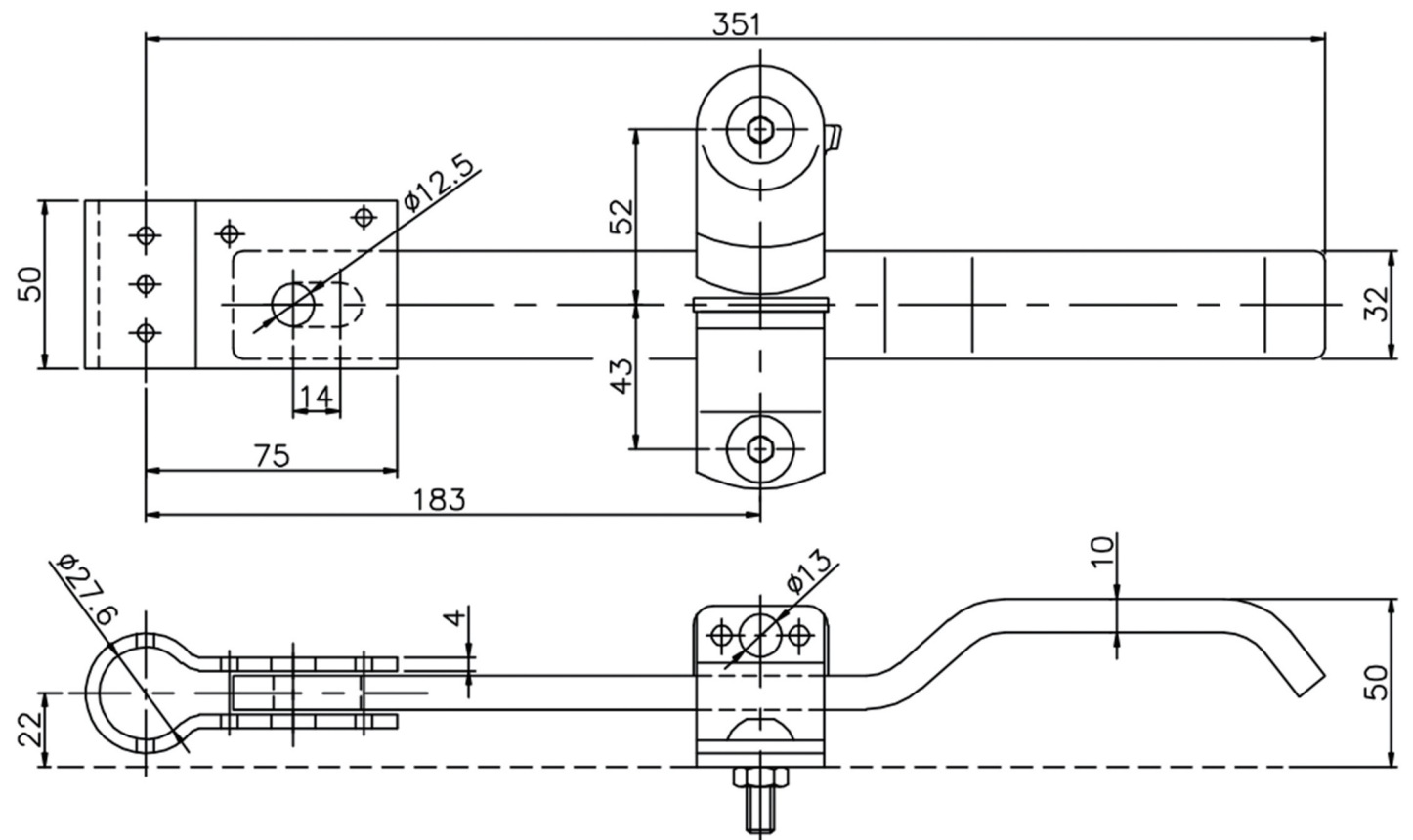
Overall drawing



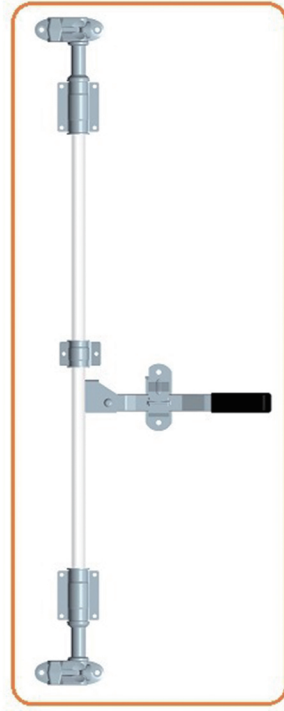
◆ 27B11



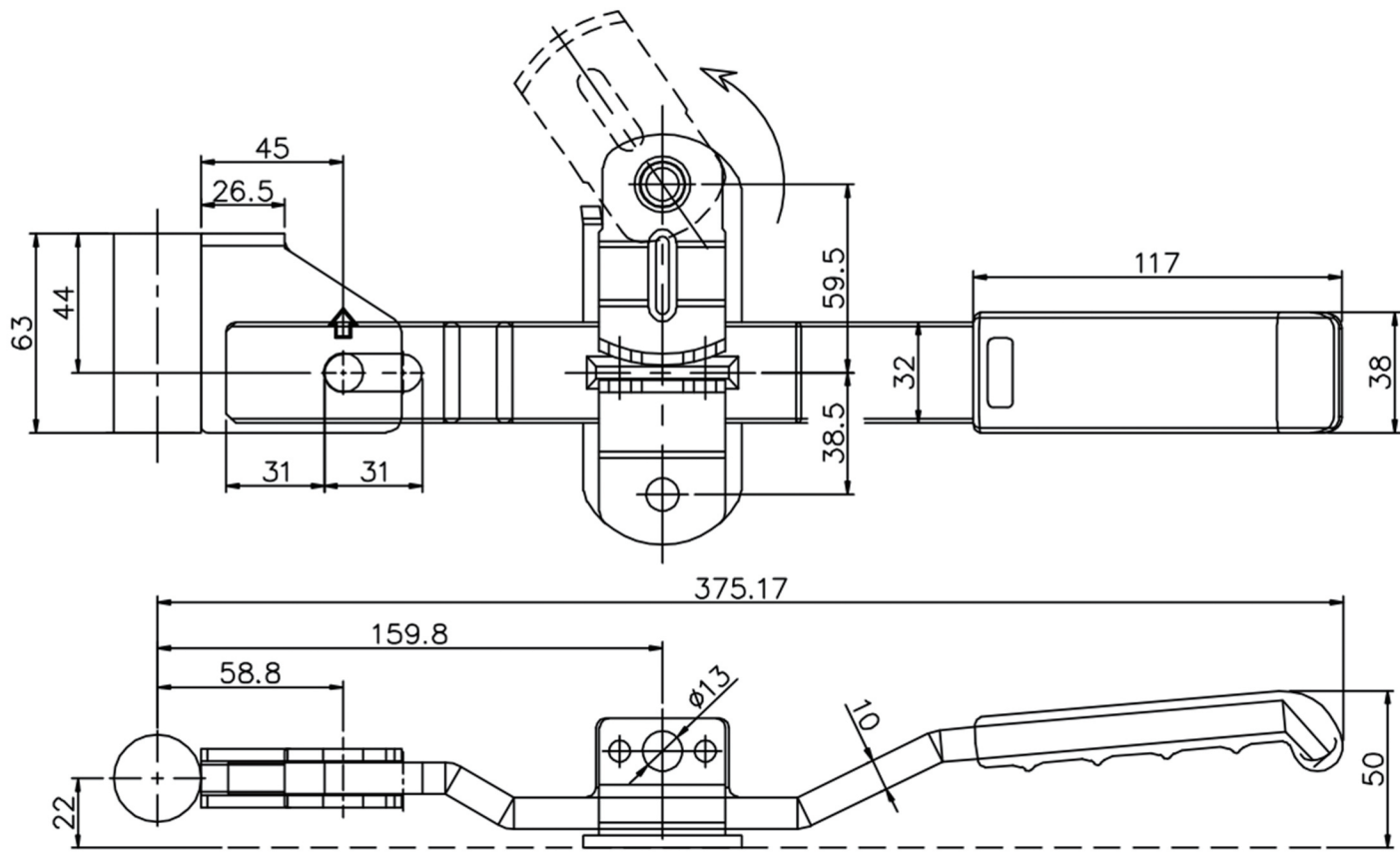
Overall drawing



◆ 27B13

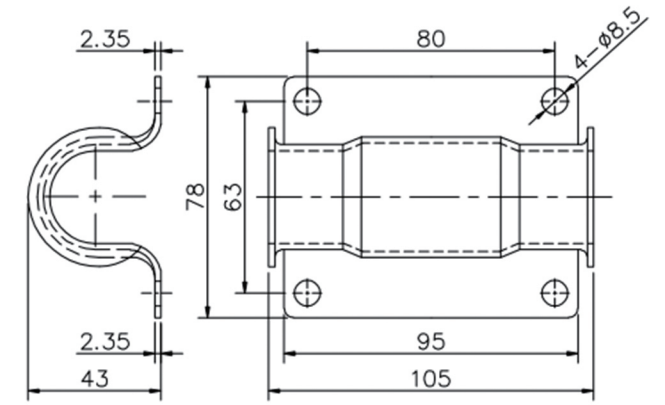
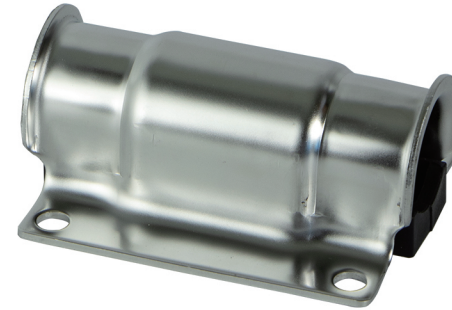


Overall drawing

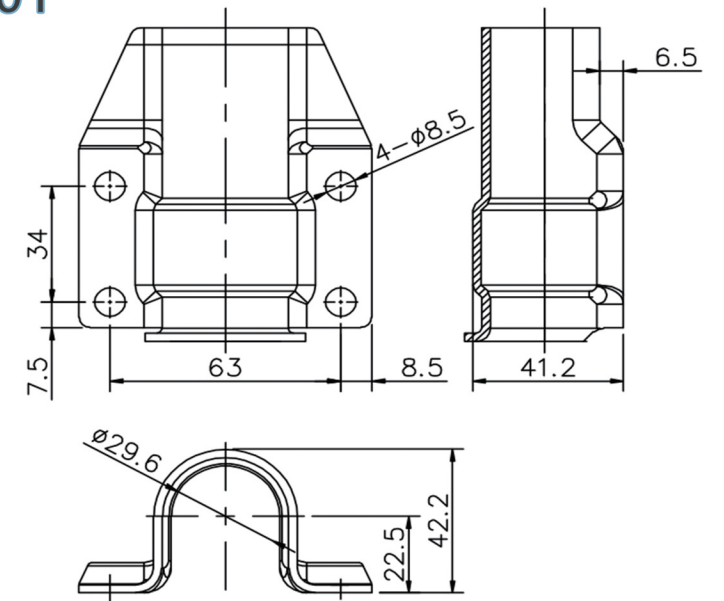


◆ 8101 Guide plate series ( 22mm~27m )

※ Recommend collocation P90

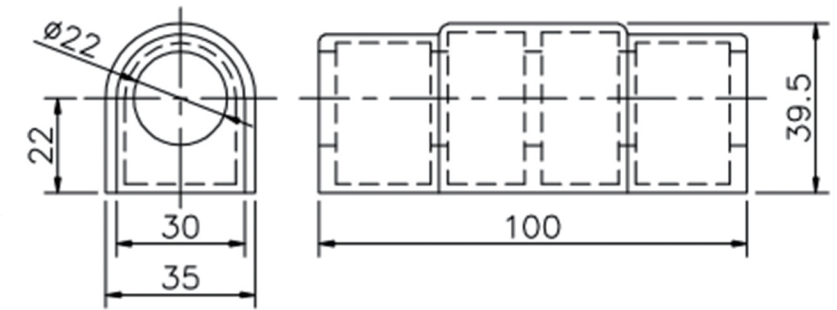


8101

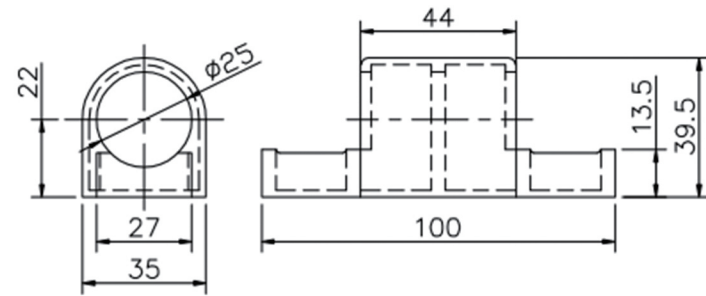


8101-A

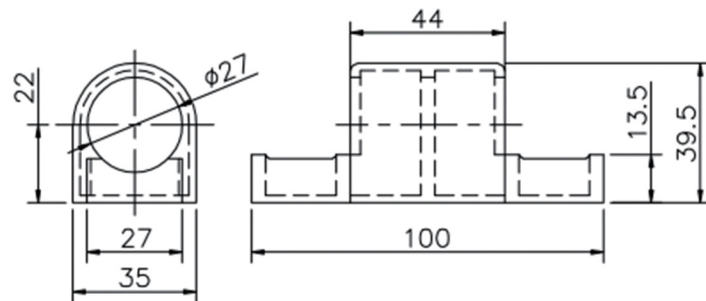
8101 Bushings for adapting to guide plate series



8202 (Φ 22)



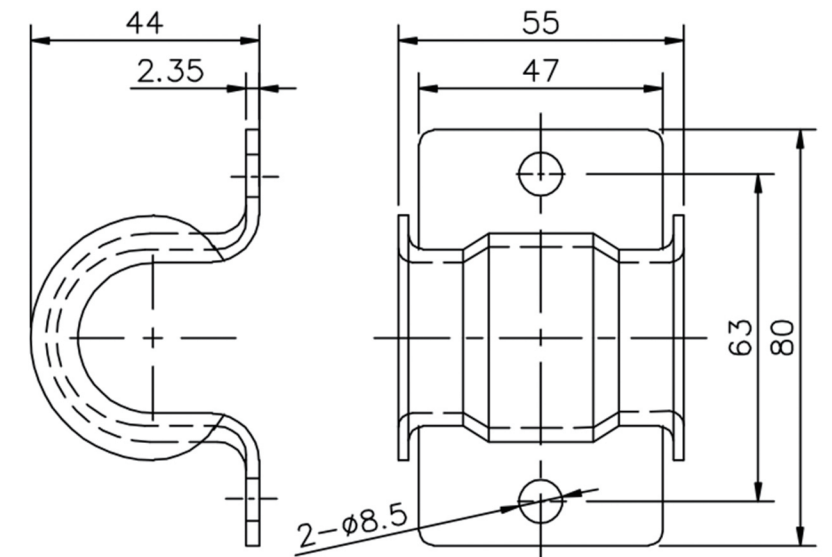
8205 (Φ 25)



8201 (Φ 27)

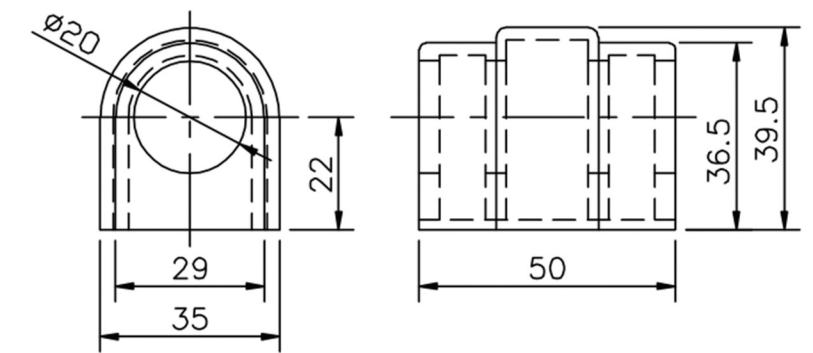
◆ 8103 Guide plate series ( 20mm, 27mm )

※ Recommend collocation P90

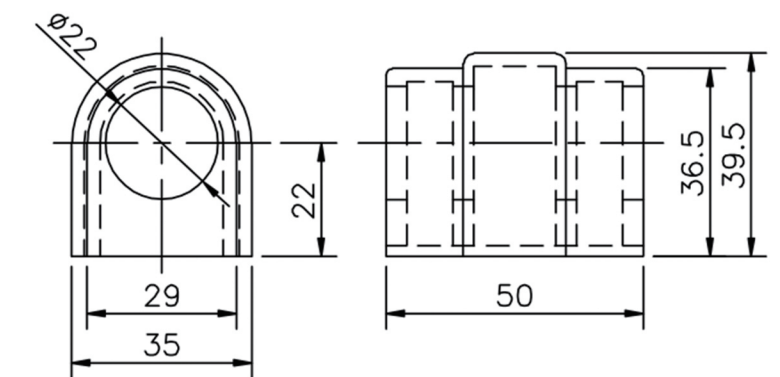


8103

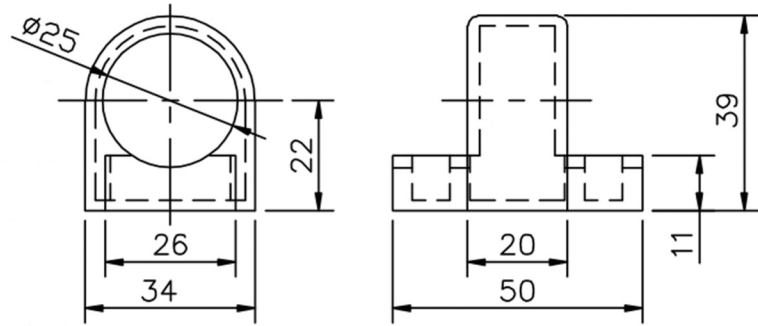
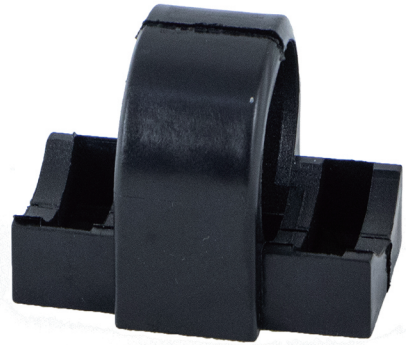
8103 Bushings for adapting to guide plate series



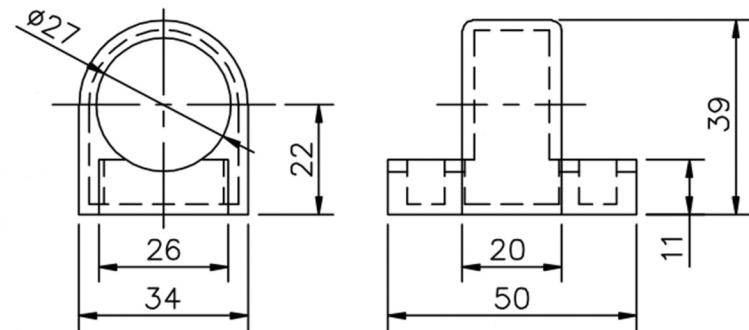
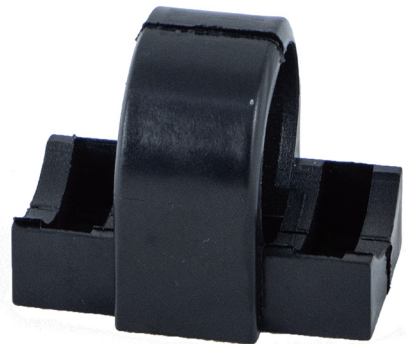
8207 (Φ 20)



8204 (Φ 22)



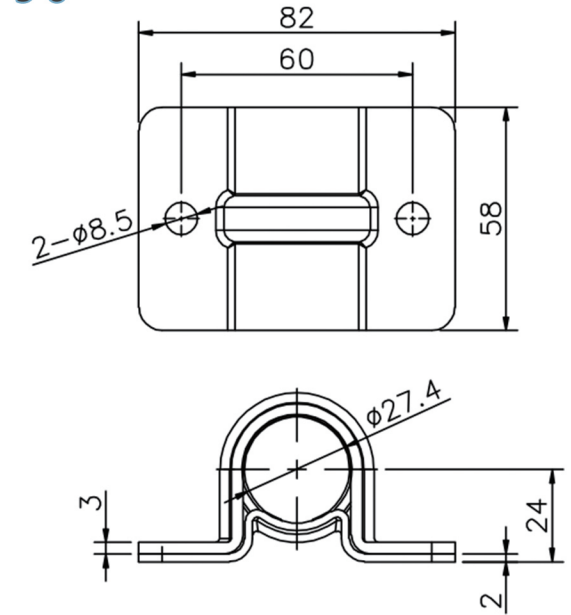
8206 (Φ 25)



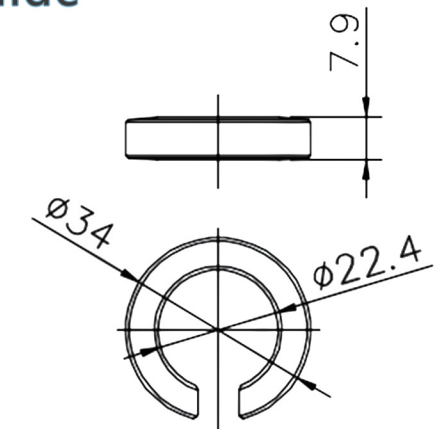
8203 (Φ 27)

◆ 8104 Guide plate series ( 22mm、 27mm )

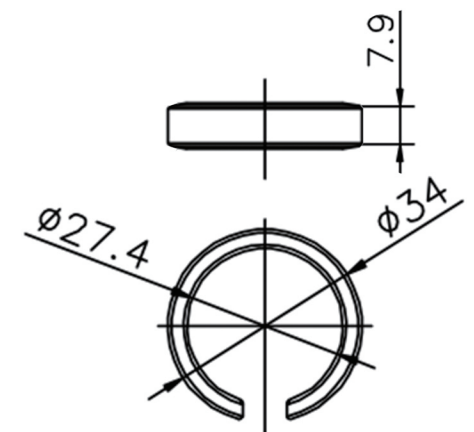
※ Recommend collocation P90



8104 Bushings for adapting to guide plate series



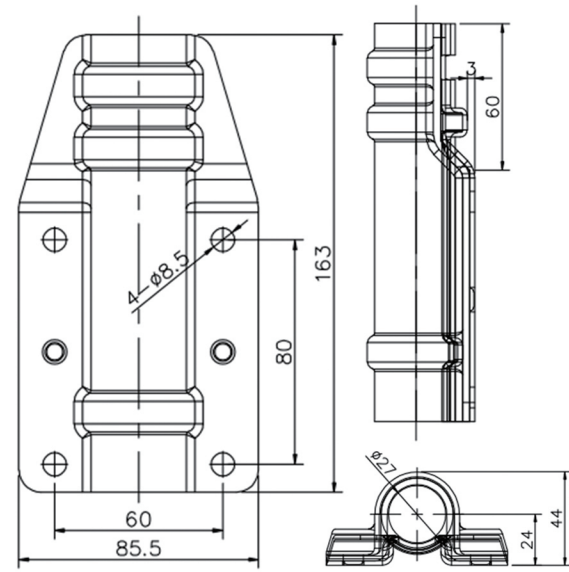
8210 (Φ 22)



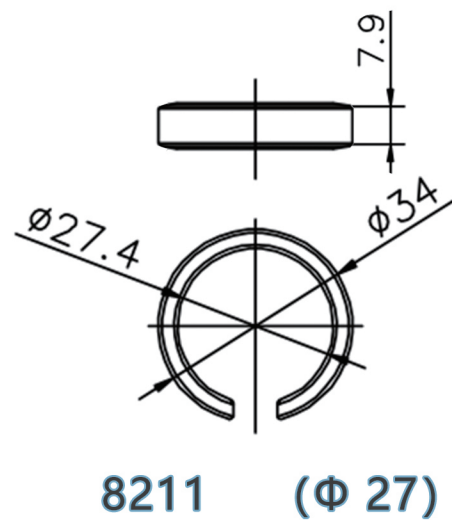
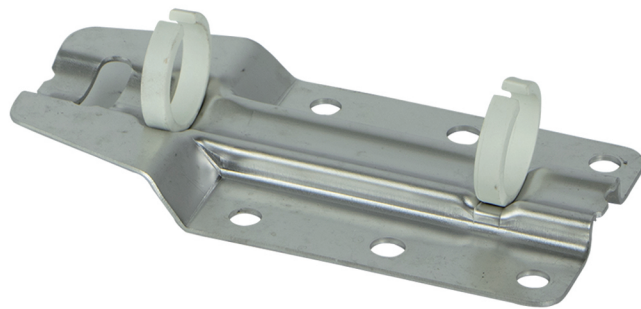
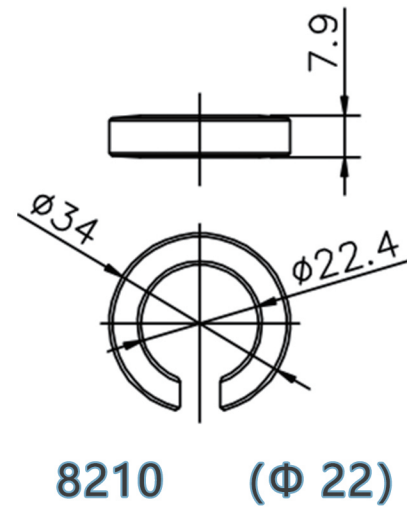
8211 (Φ 27)

◆ 8105 Guide plate series ( 22mm, 27mm )

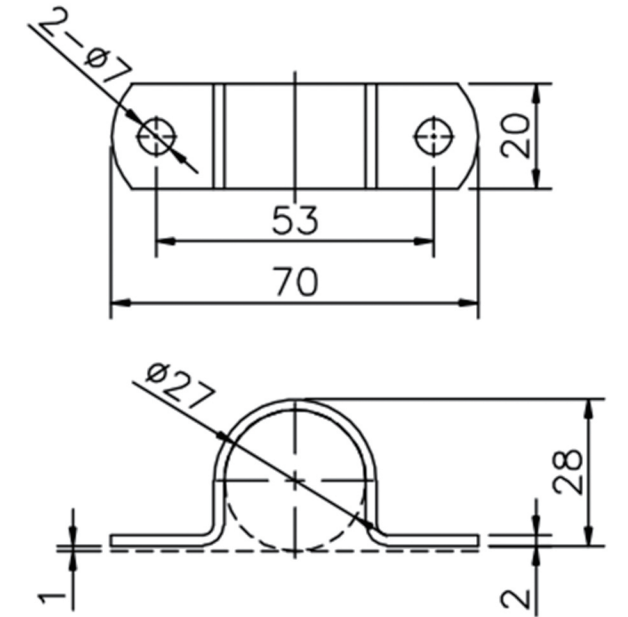
※ Recommend collocation P90



8105 Bushings for adapting to guide plate series

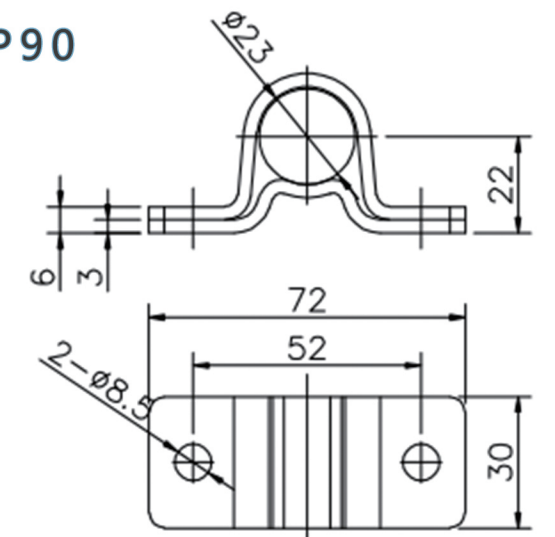


◆ 8106



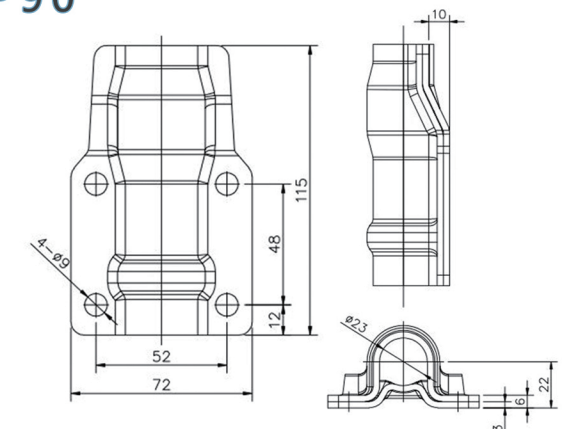
◆ 8107 ( 22mm )

※ Recommend collocation P90



◆ 8108 ( 22mm )

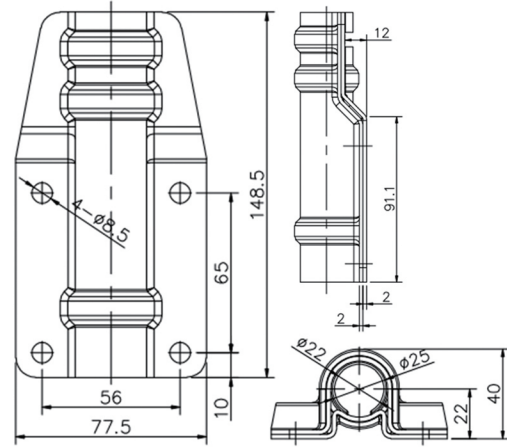
※ Recommend collocation P90



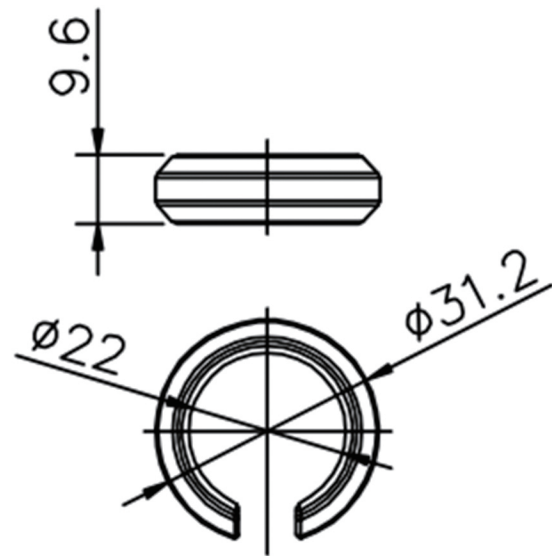
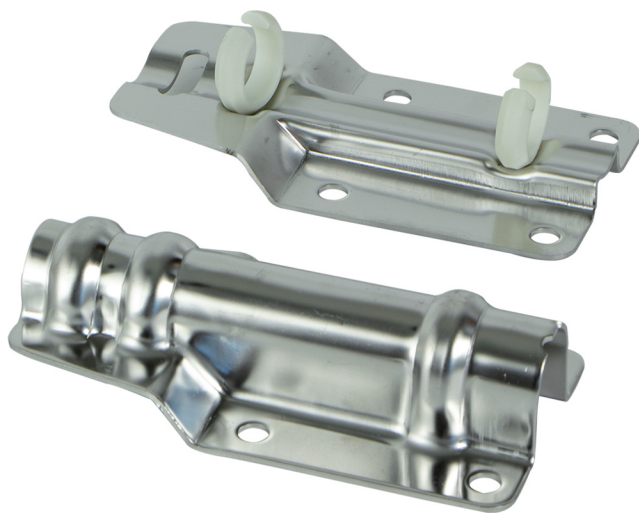


◆ 8109 Guide plate series ( 22mm )

※ Recommend collocation P90



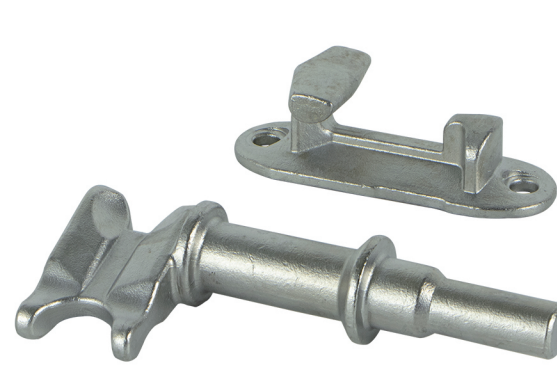
8109 Bushings for adapting to guide plate series



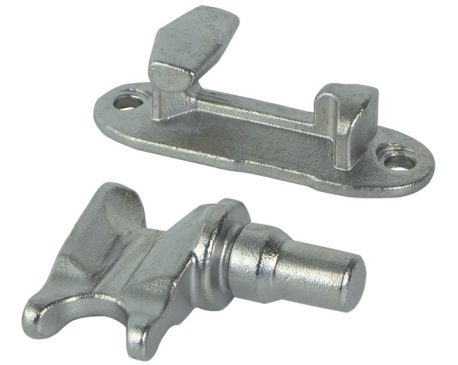
8209 (Φ 22)

◆ 8301 Lock holder series ( 27mm )

※ Recommend collocation P90

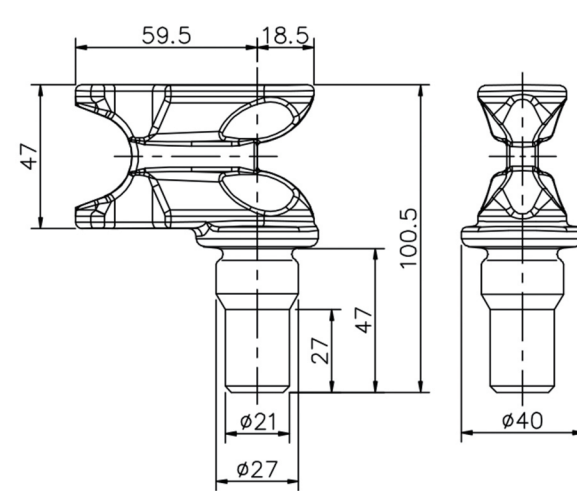


8301+8401

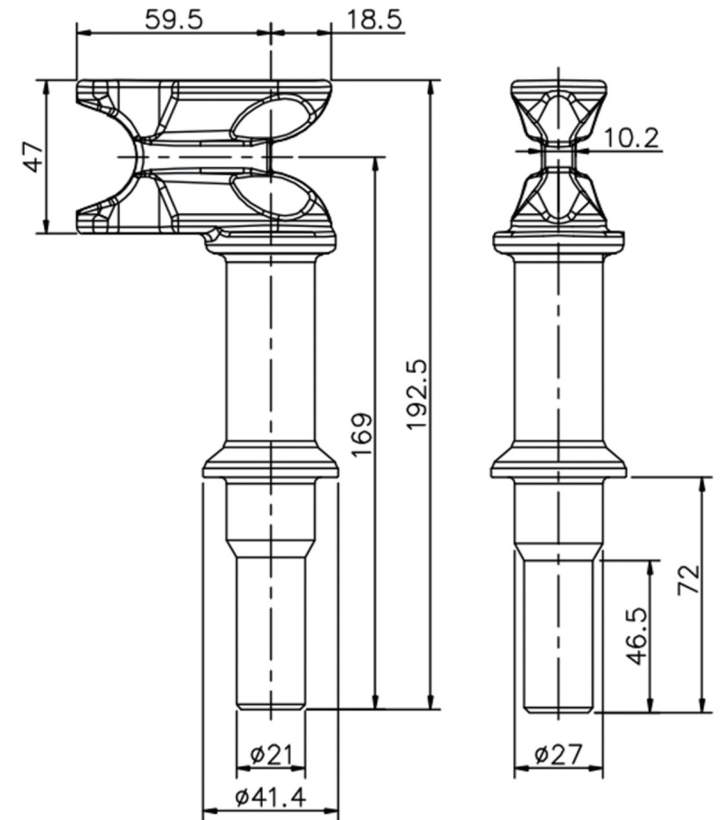


8301+8402

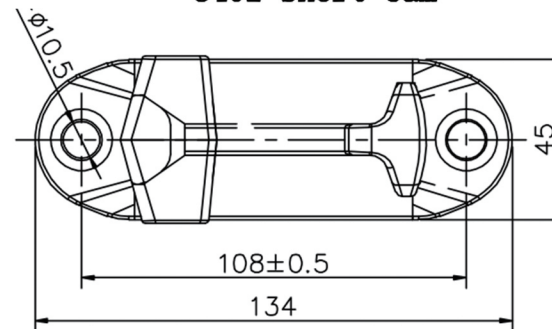
Overall drawing



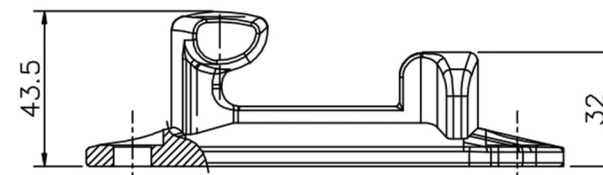
8402 Short cam



8401 Long cam

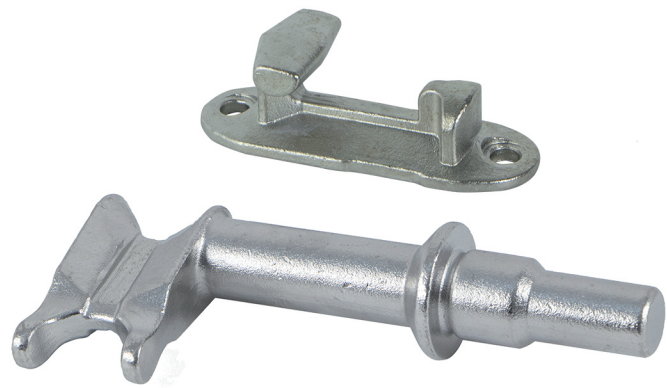


8301 Keeper



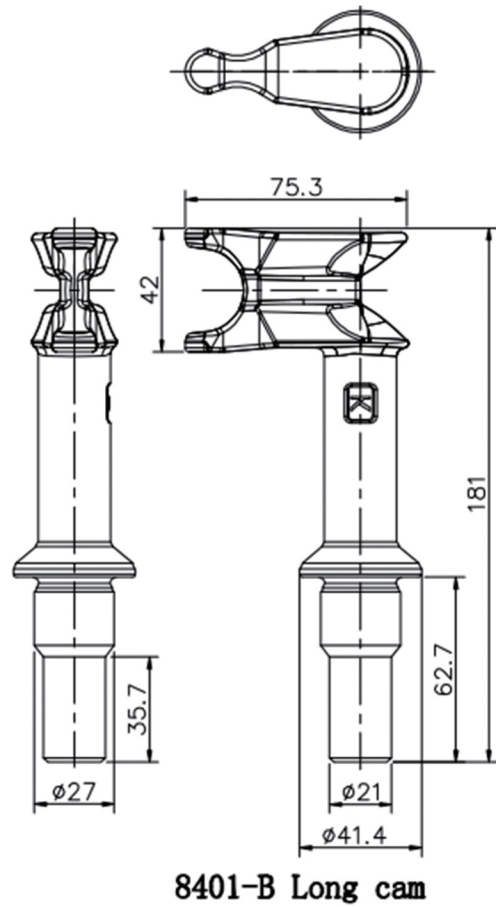
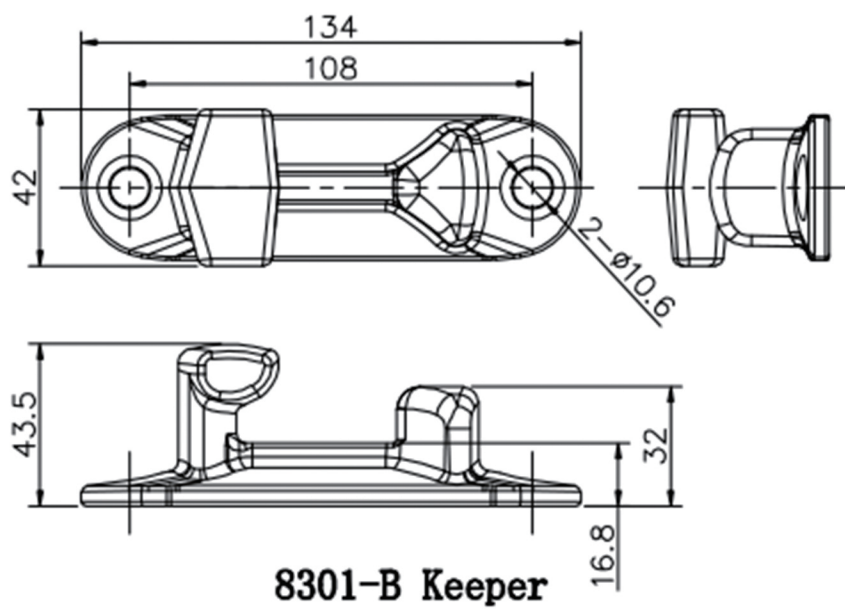
8301-B ( 27mm )

※ Recommend collocation P90



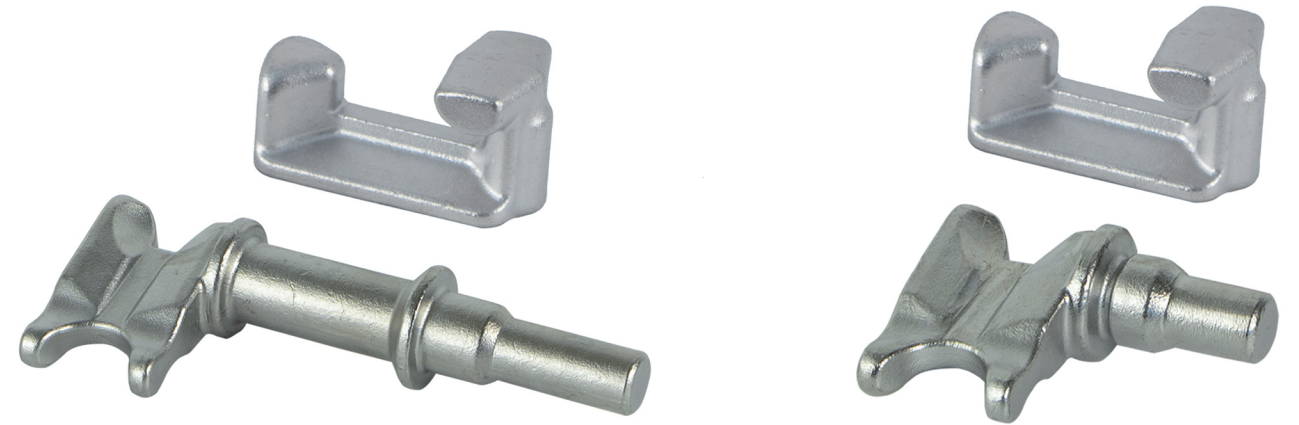
8301-B+8401-B

Overall drawing



8301-WK ( 27mm )

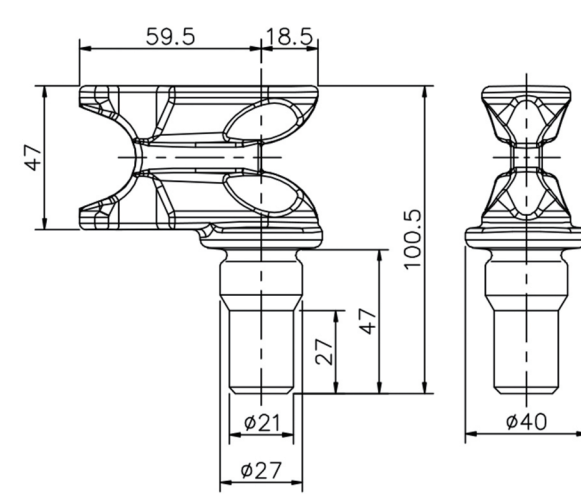
※ Recommend collocation P90



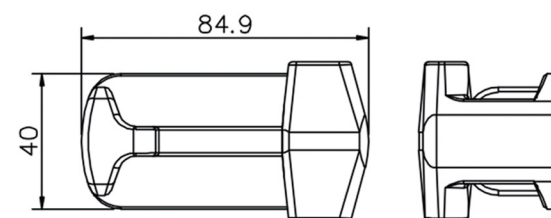
8301-WK+8401

8301-WK+8402

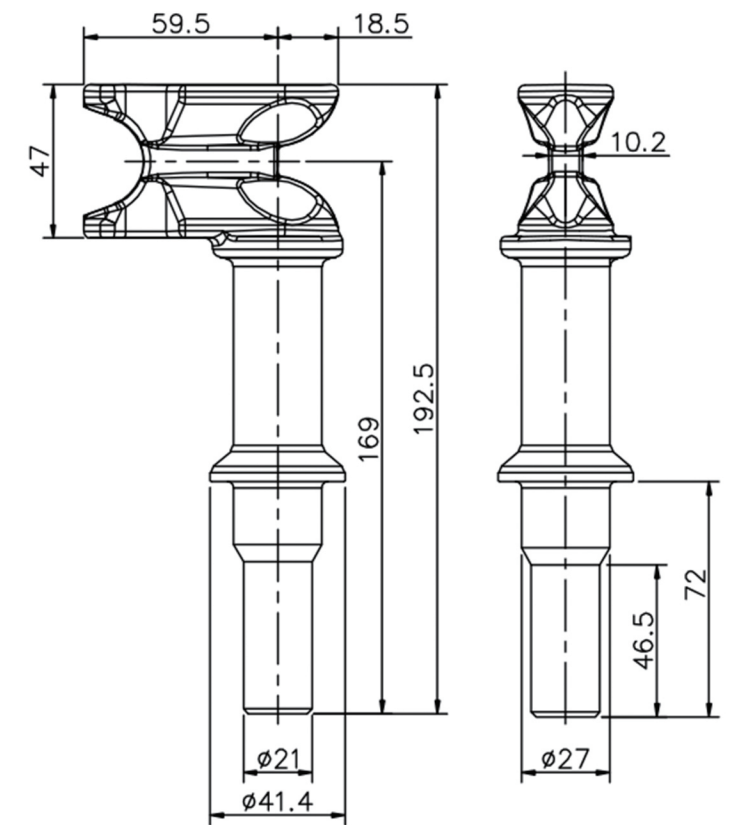
Overall drawing



8402 Short cam



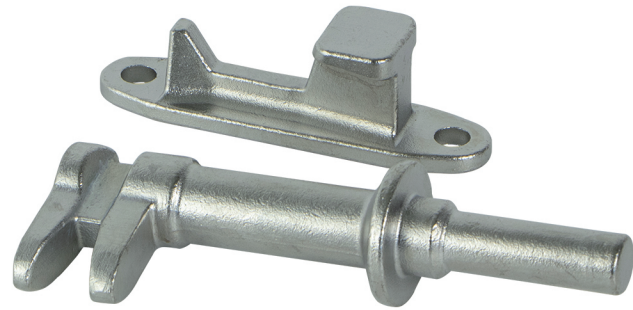
8301-WK Keeper



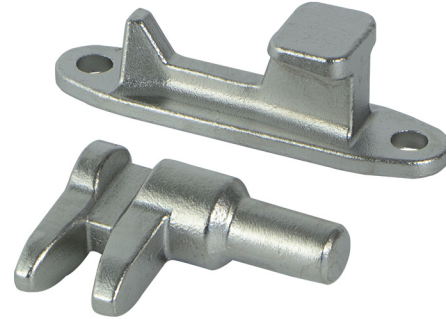
8401 Long cam

◆ 8303 Lock holder series ( 22mm )

※ Recommend collocation P90

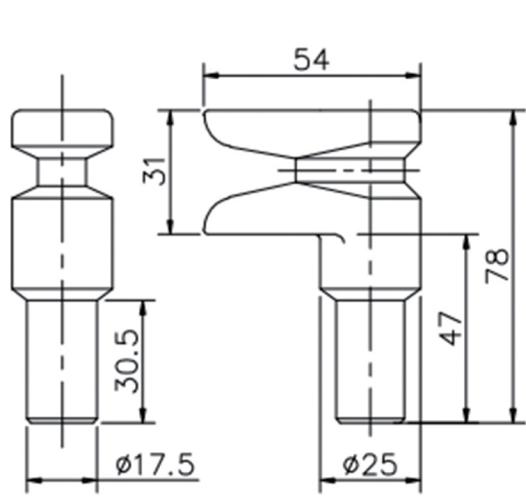


8303+8405

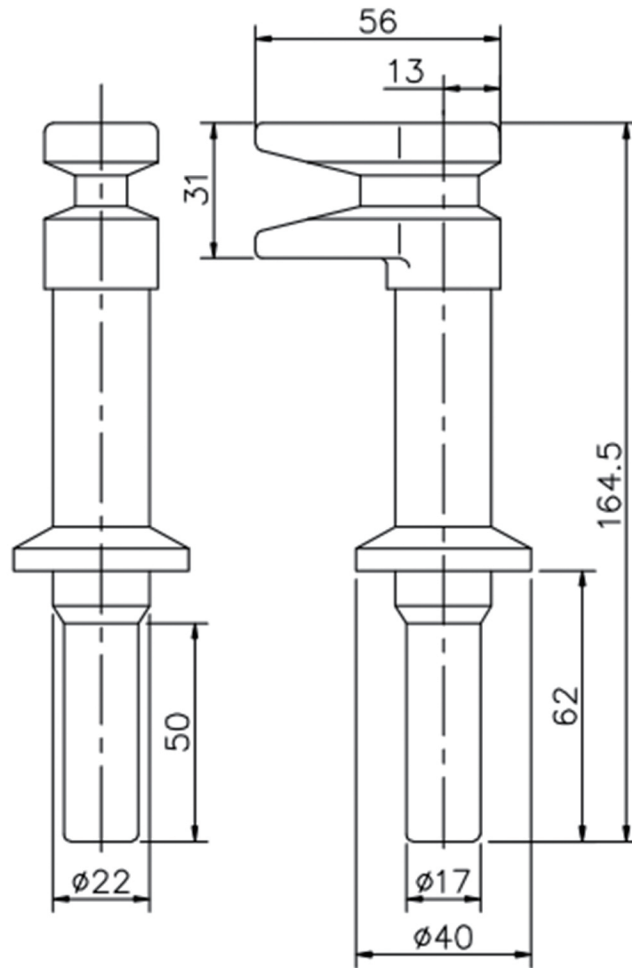


8303+8406

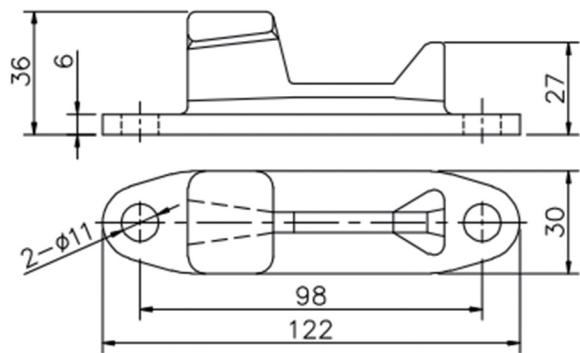
Overall drawing



8406 Short cam



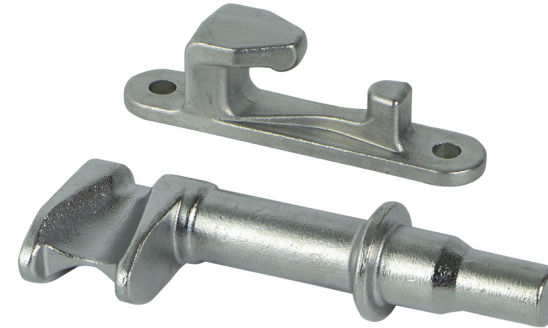
8405 Long cam



8303 Keeper

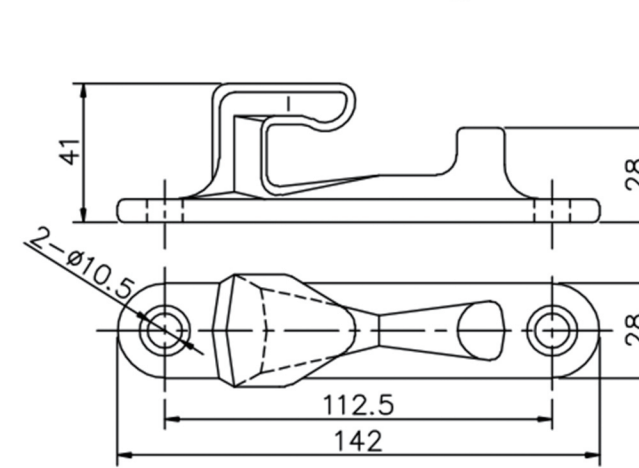
◆ 8305 Lock holder series ( 27mm )

※ Recommend collocation P90

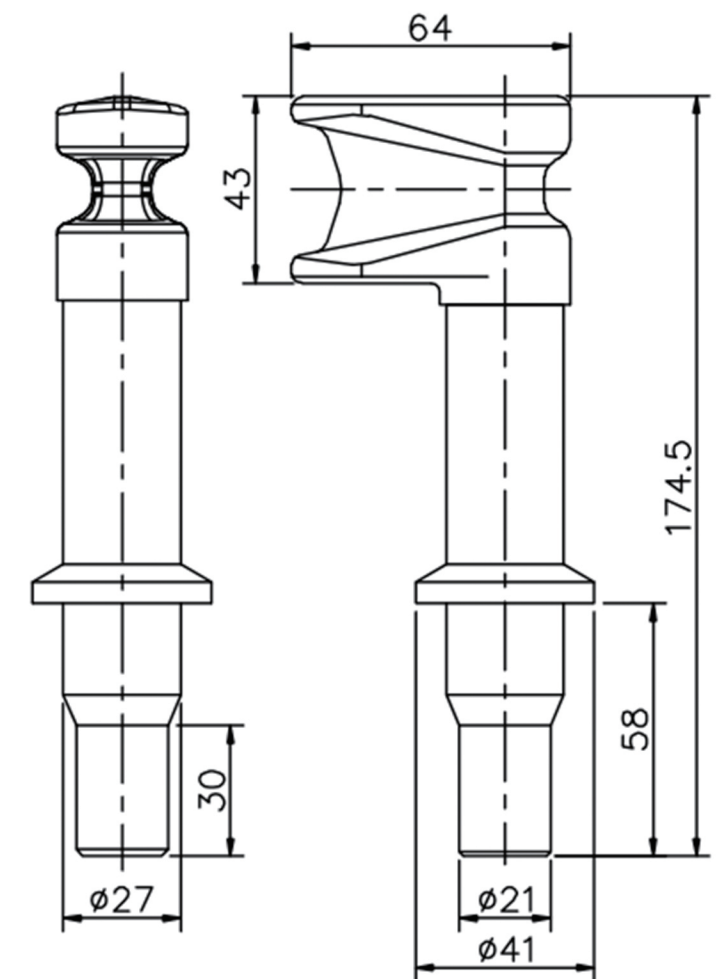


8305+8408

Overall drawing

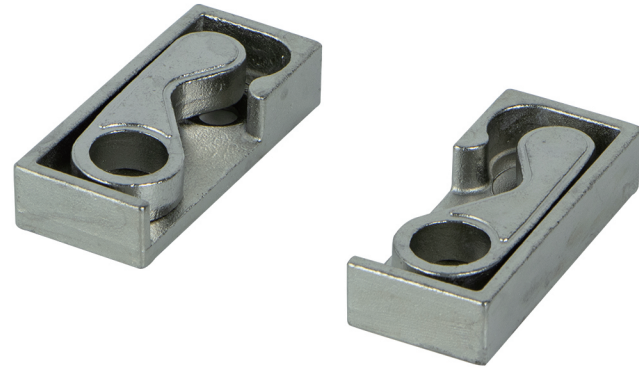


8305 Keeper

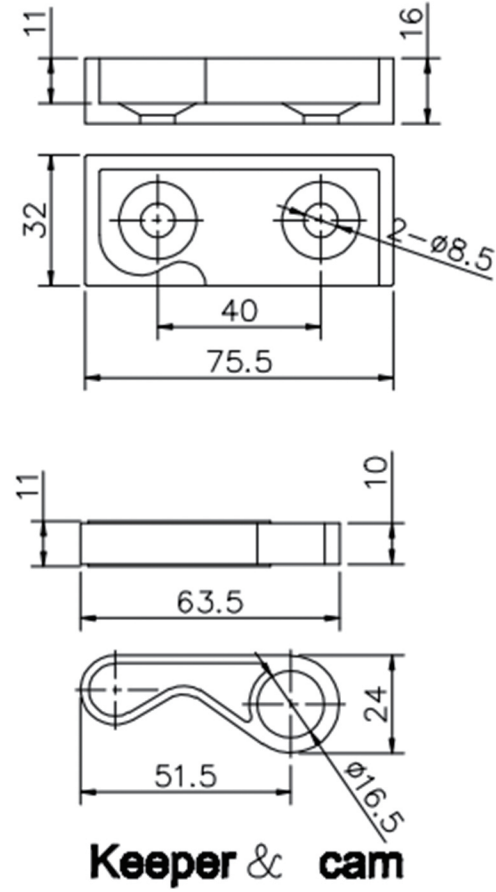


8408 Long cam

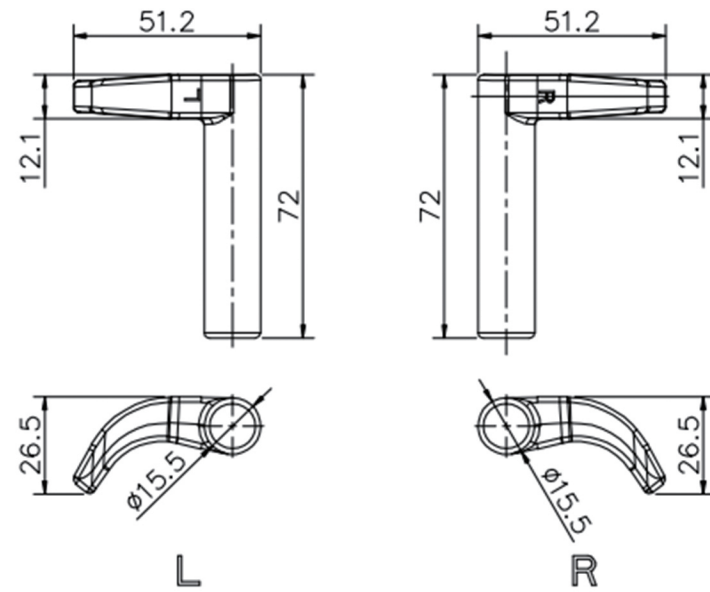
◆ 8306 Lock holder series ( 16mm )



8306+8409

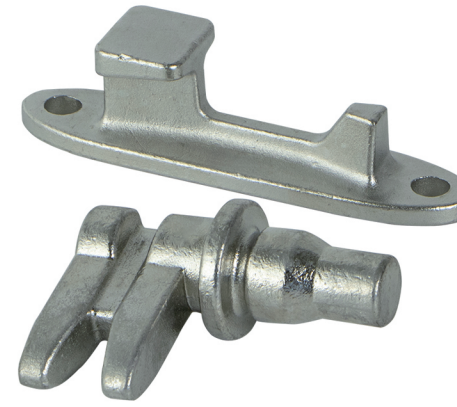


◆ 8412



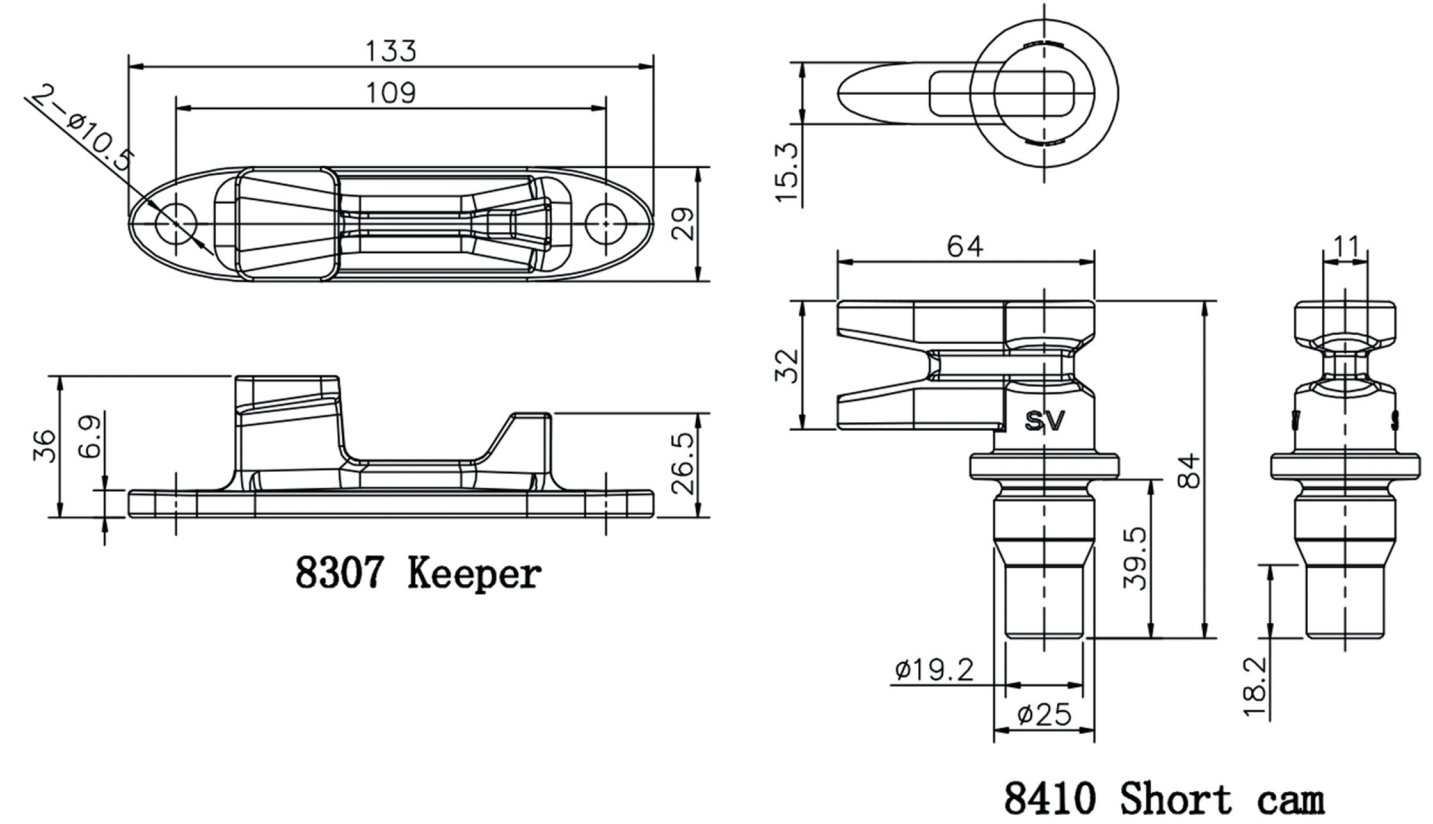
◆ 8307 Lock holder series ( 25mm )

※ Recommend collocation P90



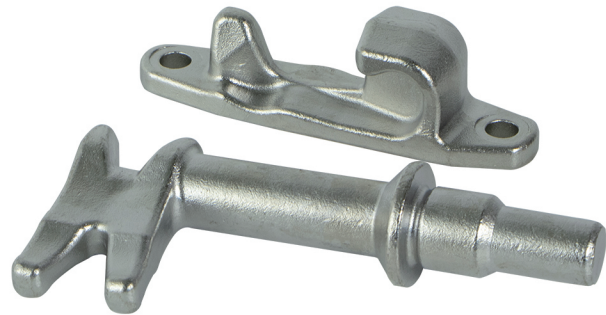
8307+8410

Overall drawing



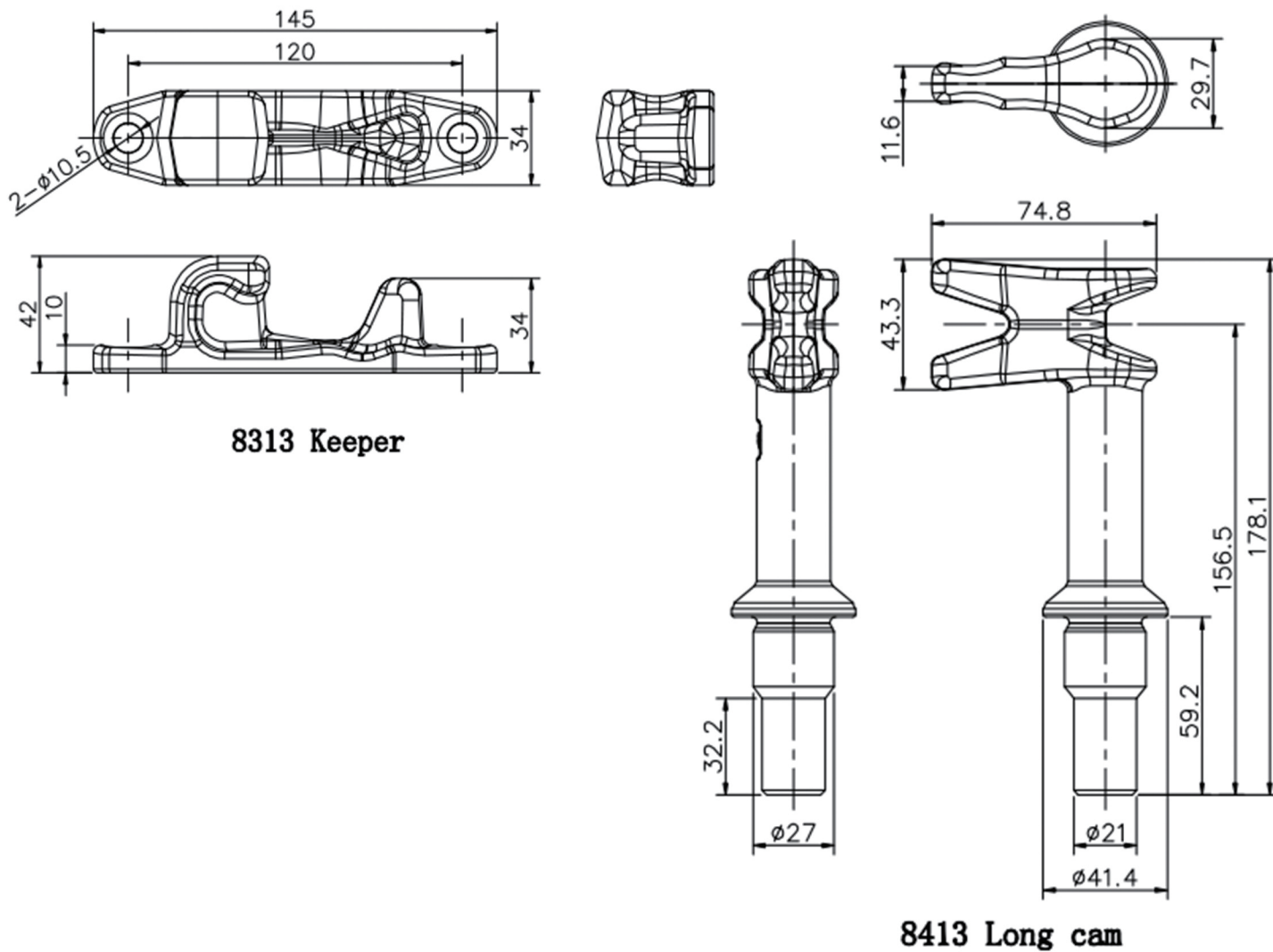
◆ 8313 Lock holder series ( 27mm )

※ Recommend collocation P90



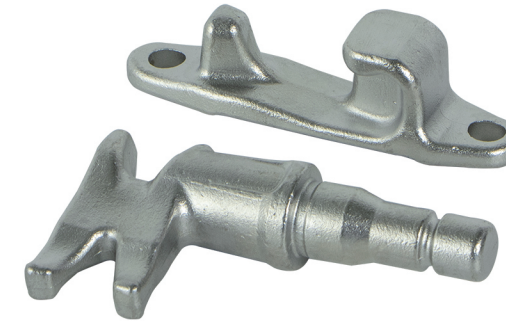
8313+8413

Overall drawing

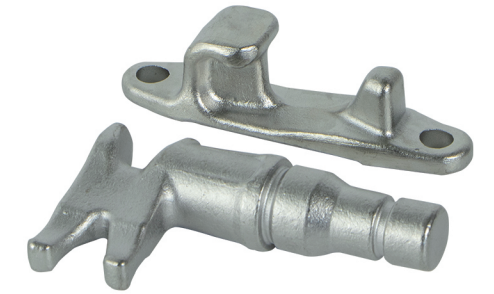


◆ 8314 Lock holder series

※ Recommend collocation P90

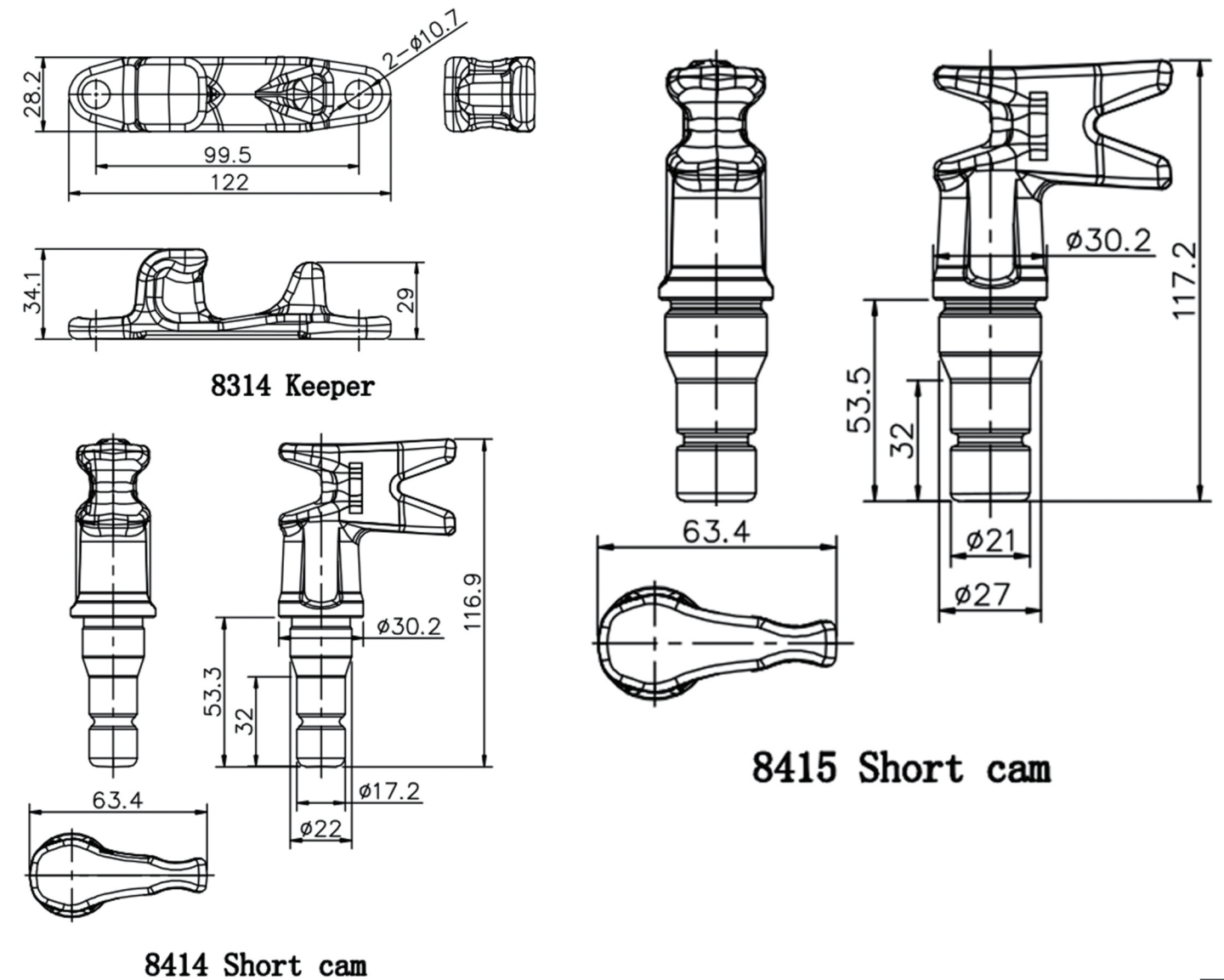


( 22mm )



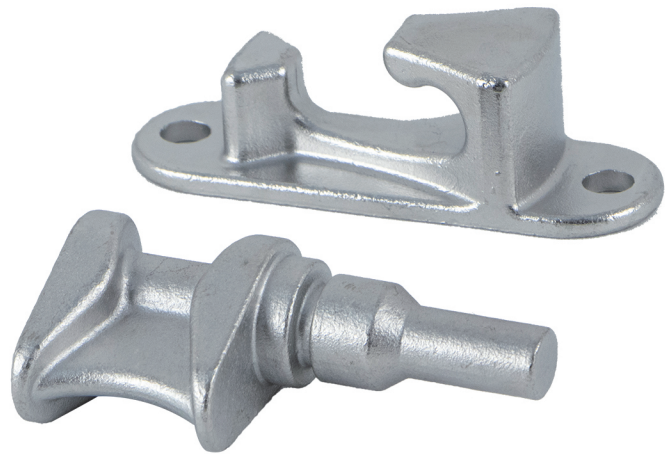
( 27mm )

Overall drawing

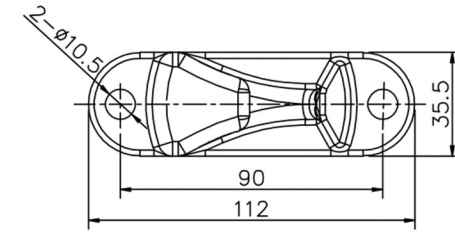


◆ 3004 Lock holder ( 20mm )

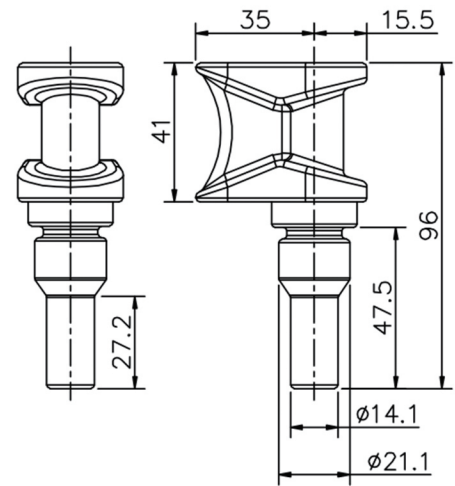
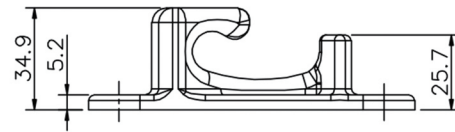
※ Recommend collocation P90



3004+3005



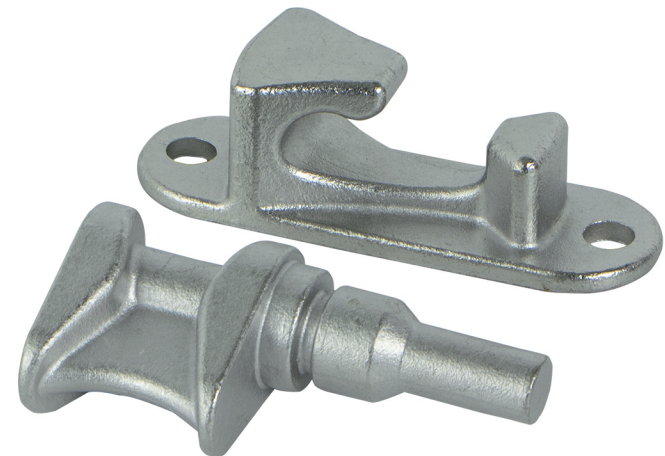
3004 Keeper



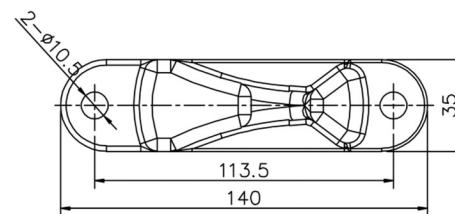
3005 Short cam

◆ 3006 Lock holder ( 25mm )

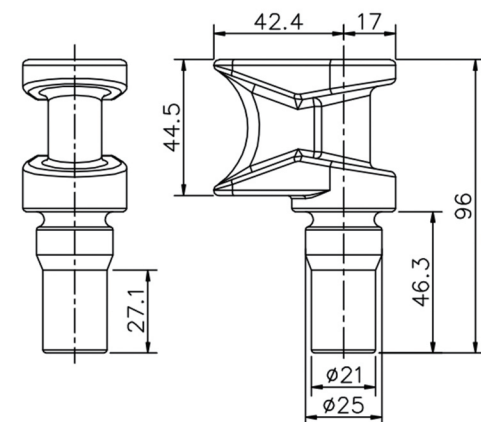
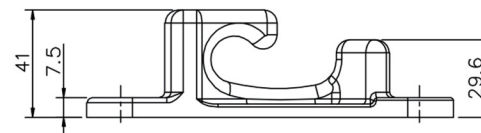
※ Recommend collocation P90



3006+3007



3006 Keeper



3007 Short cam

◆ Recommended collocation

● 22mmSeries

| Package | Keeper | Cam  | Guide plate |
|---------|--------|------|-------------|
| 1       | 8303   | 8405 | 8103        |
| 2       |        | 8406 | 8103        |
| 3       |        |      | 8107+8108   |
| 4       |        |      | 8103+8109   |
| 5       | 8314   | 8414 | 8104+8105   |

● 27mmSeries

| Package | Keeper          | Cam    | Guide plate |
|---------|-----------------|--------|-------------|
| 6       | 8301<br>8301-WK | 8401   | 8101+8103   |
| 7       |                 |        | 8101-A+8103 |
| 8       |                 | 8402   | 8104+8105   |
| 9       | 8301-B          | 8401-B | 8101+8103   |
| 10      |                 |        | 8101-A+8103 |
| 11      | 8305            | 8408   | 8101+8103   |
| 12      | 8313            | 8413   | 8101+8103   |
| 13      | 8314            | 8415   | 8104+8105   |

● 20mmSeries

| Package | Keeper | Cam  | Guide plate |
|---------|--------|------|-------------|
| 14      | 3004   | 3005 | 8101-A+8103 |

● 25mmSeries

| Package | Keeper | Cam  | Guide plate |
|---------|--------|------|-------------|
| 15      | 3006   | 3007 | 8101-A+8103 |
| 16      | 8307   | 8410 | 8101-A+8103 |
| 17      |        |      | 8104+8105   |