

01 Generator set door locks

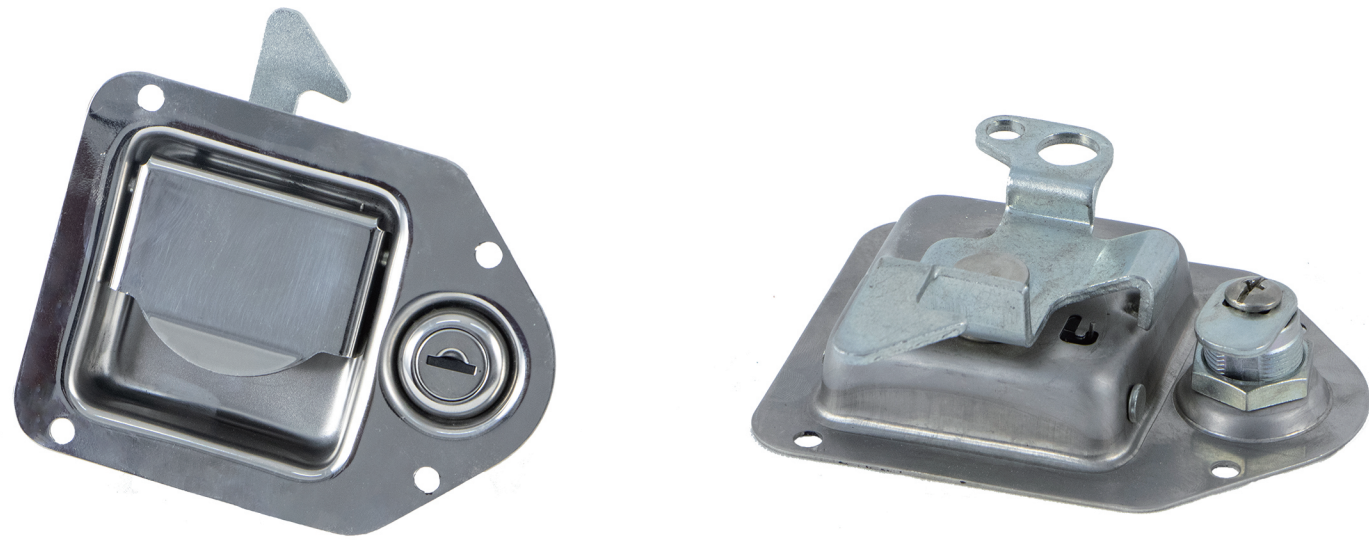
P1~46



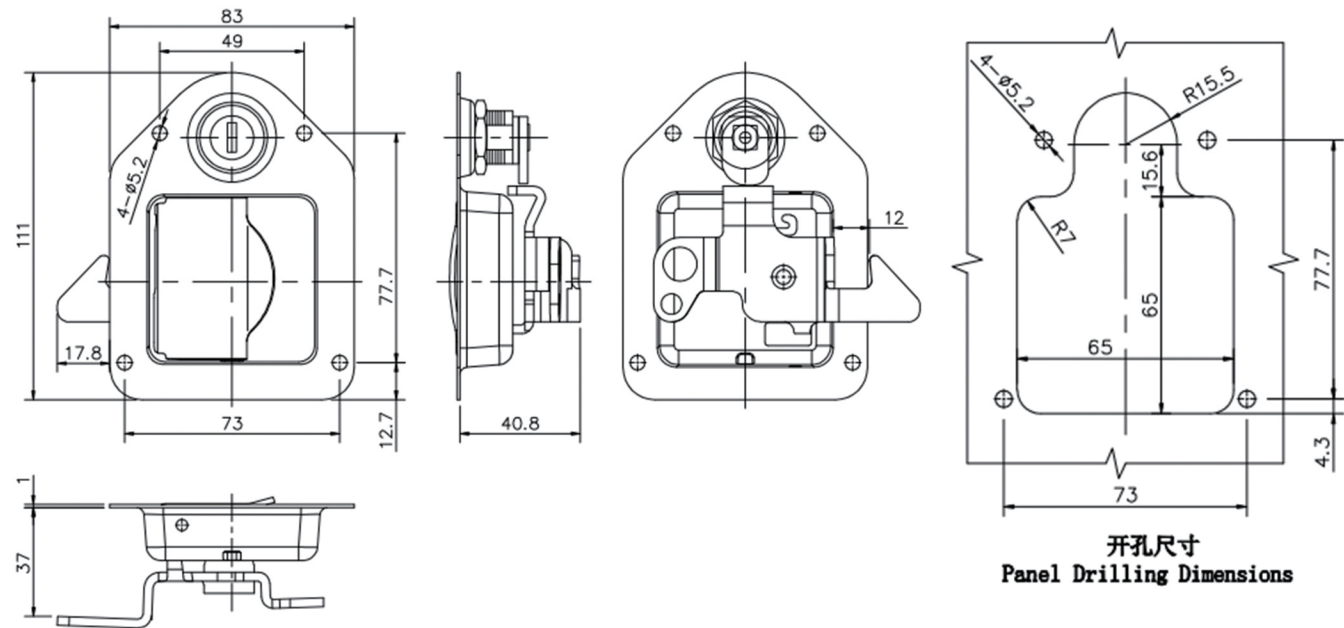
◆ Generator set door lock series

66002	66004	66004-B	66004-C	66005	66008-a
66009	66009-B	66009-H	66012	66014	66017
66019	66022	66023	66026	66027	66029
66031	66032	66033	66036	66037	66039-N
66041	66045	66048	66049	66049-B	66052

◆ 66001

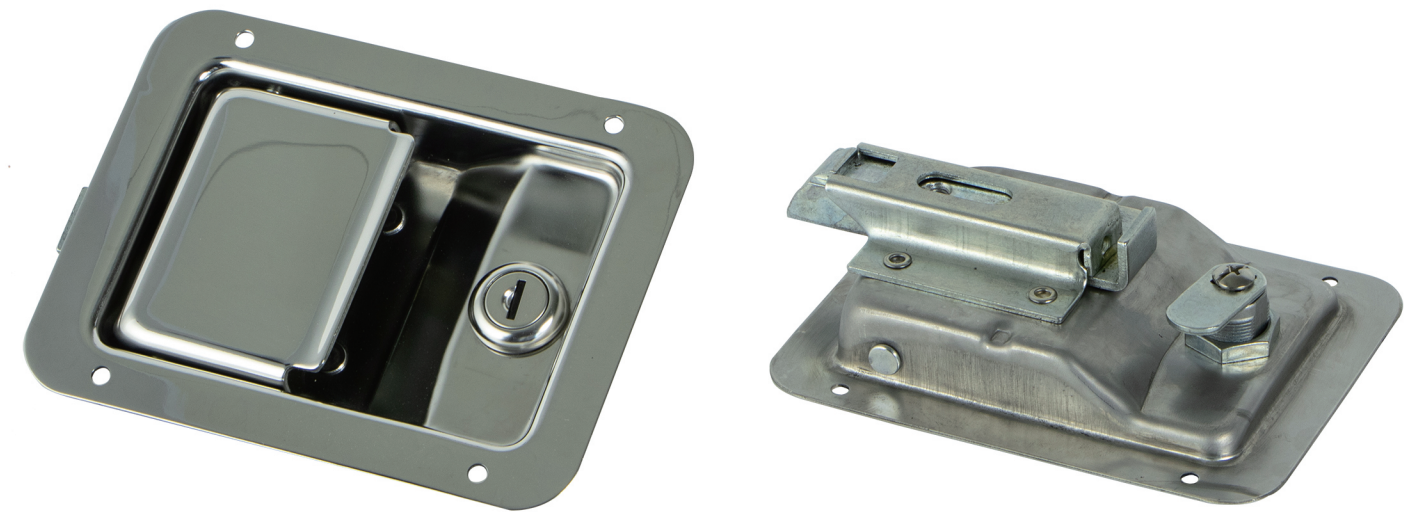


Overall drawing, Panel drilling Dimensions

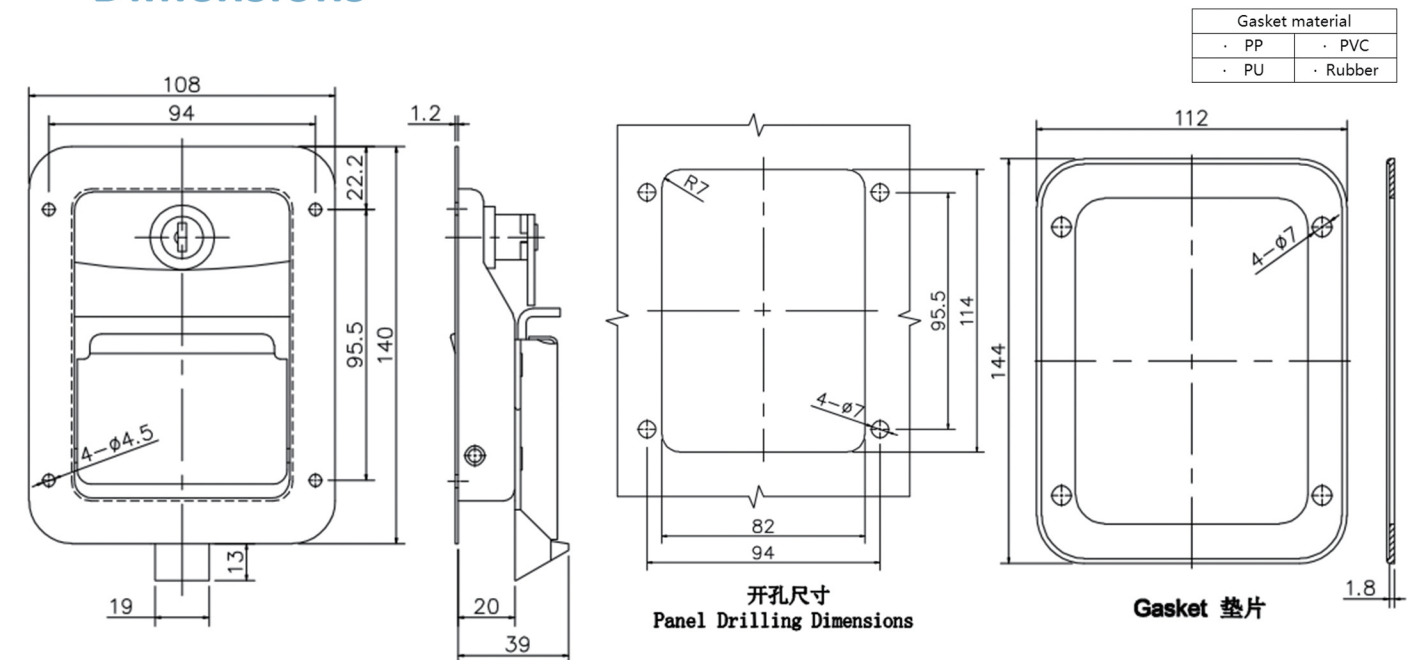


Model	Material	Surface treatment	Performance specification	Protection rate	Installation method	Anti-panic release	Adjustable range of tongue turning	Optional items
66001	SUS304	Bright polished	SUS		Punching			

◆ 66002



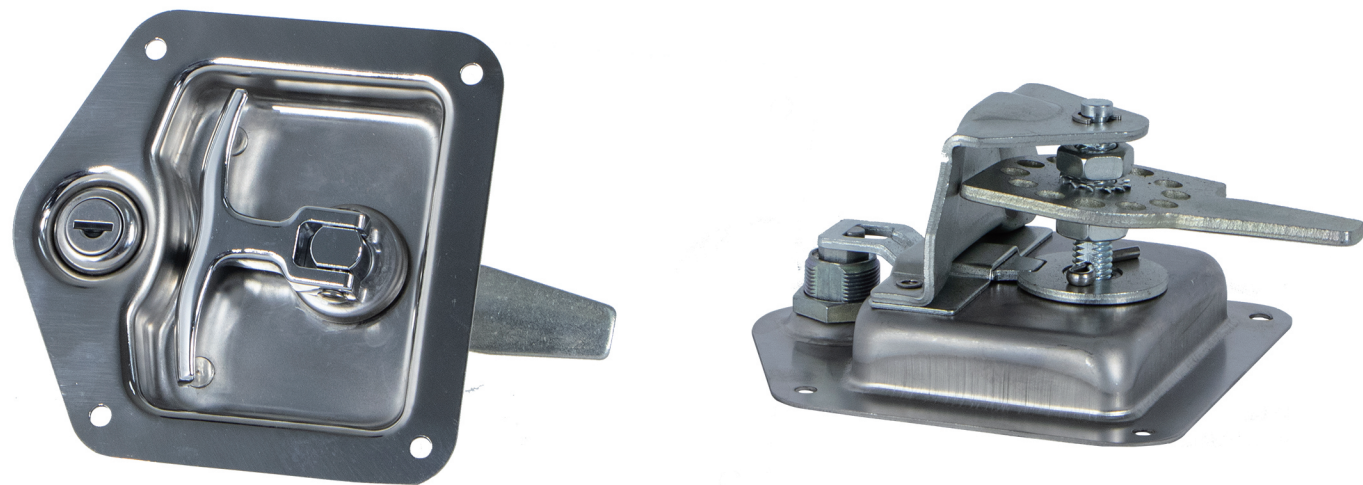
Overall drawing, gasket, Panel drilling Dimensions



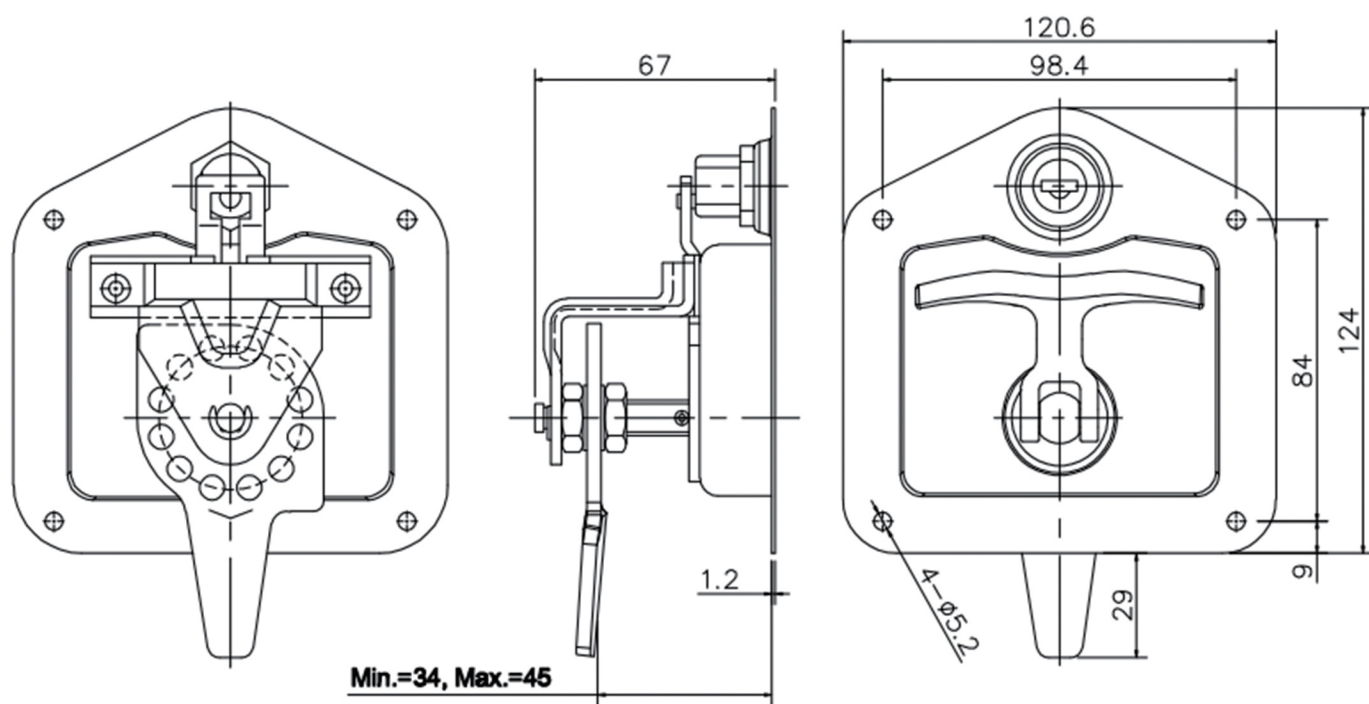
Model	Material	Surface treatment	Performance specification		Protection rate	Installation method	Anti-panic release	Adjustable range of tongue turning	Optional items
66002	SUS304 Carbon steel	Bright polished Black powder coated	SUS	Carbon steel		Punching Studs	Internal release		Gasket Key Anti-dust cap
			Bearable tension of axle pin : 3.8KN	3.6KN					
			Bearable tension of handle : 0.29KN	0.25KN					
			Bearable torque of bolts : 3.65KN	2.3KN					
			Bearable torque of bolts : 10N.m	8.5N.m					

◆ 66003 Series

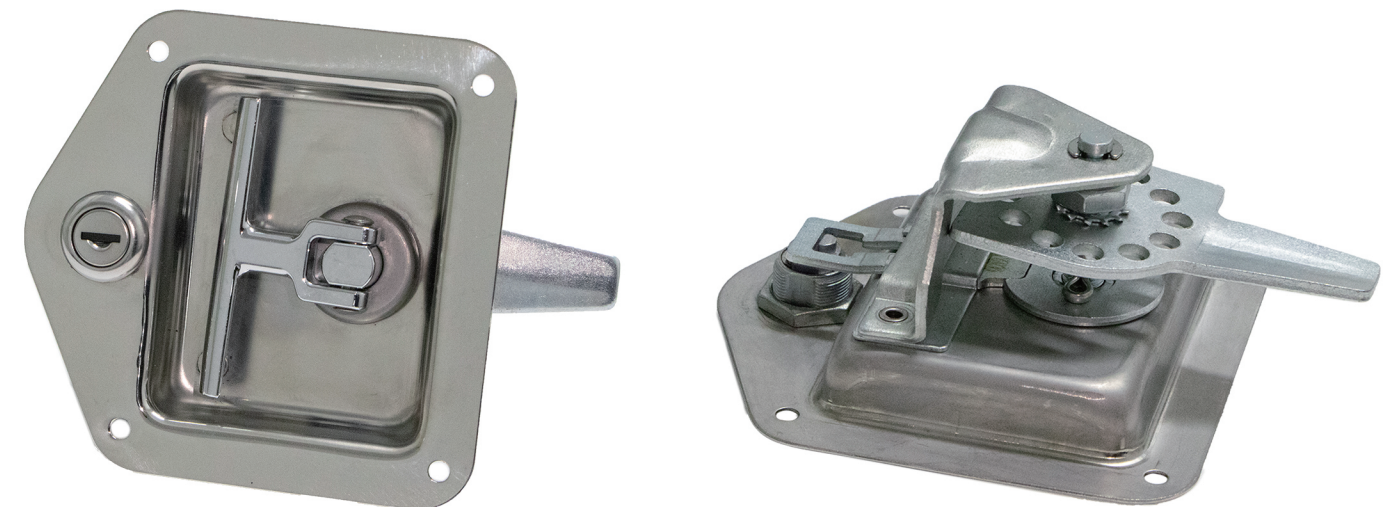
66003



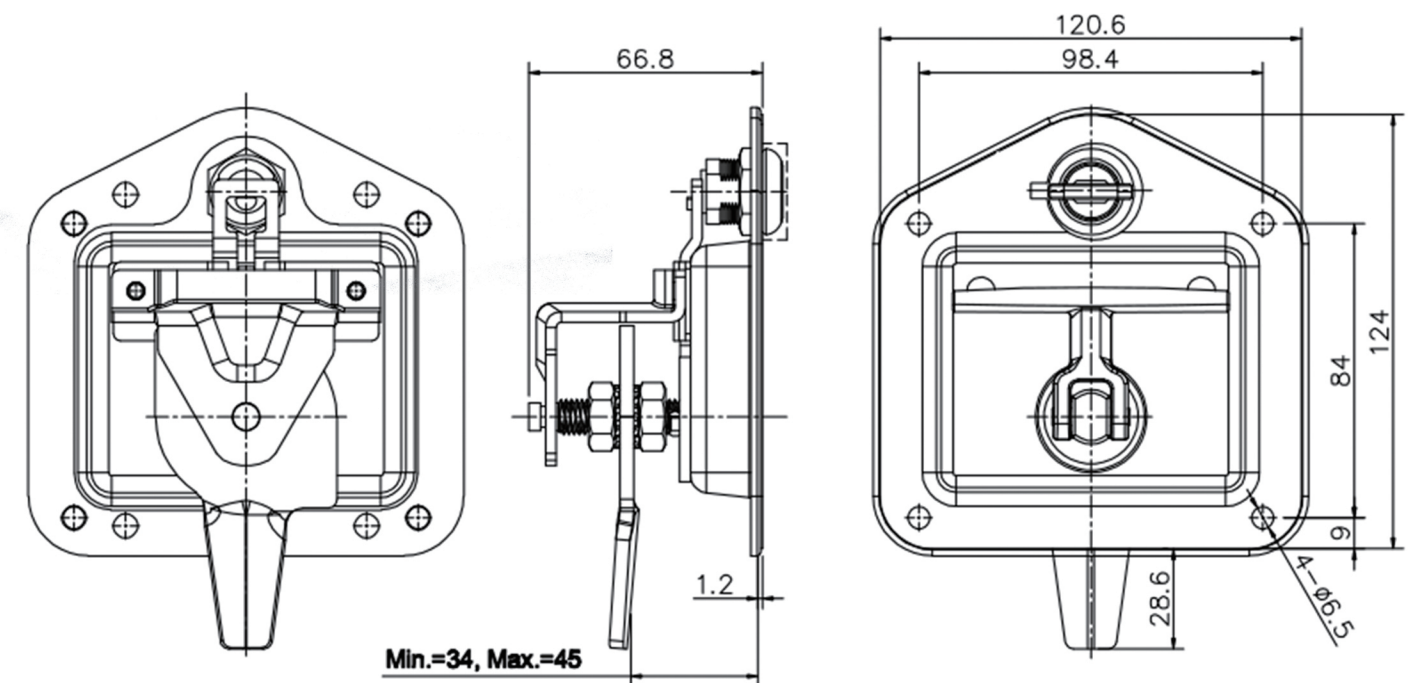
Overall drawing



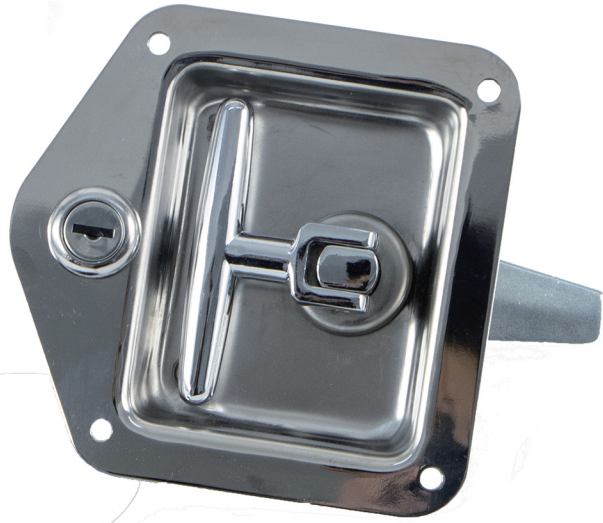
66003-B



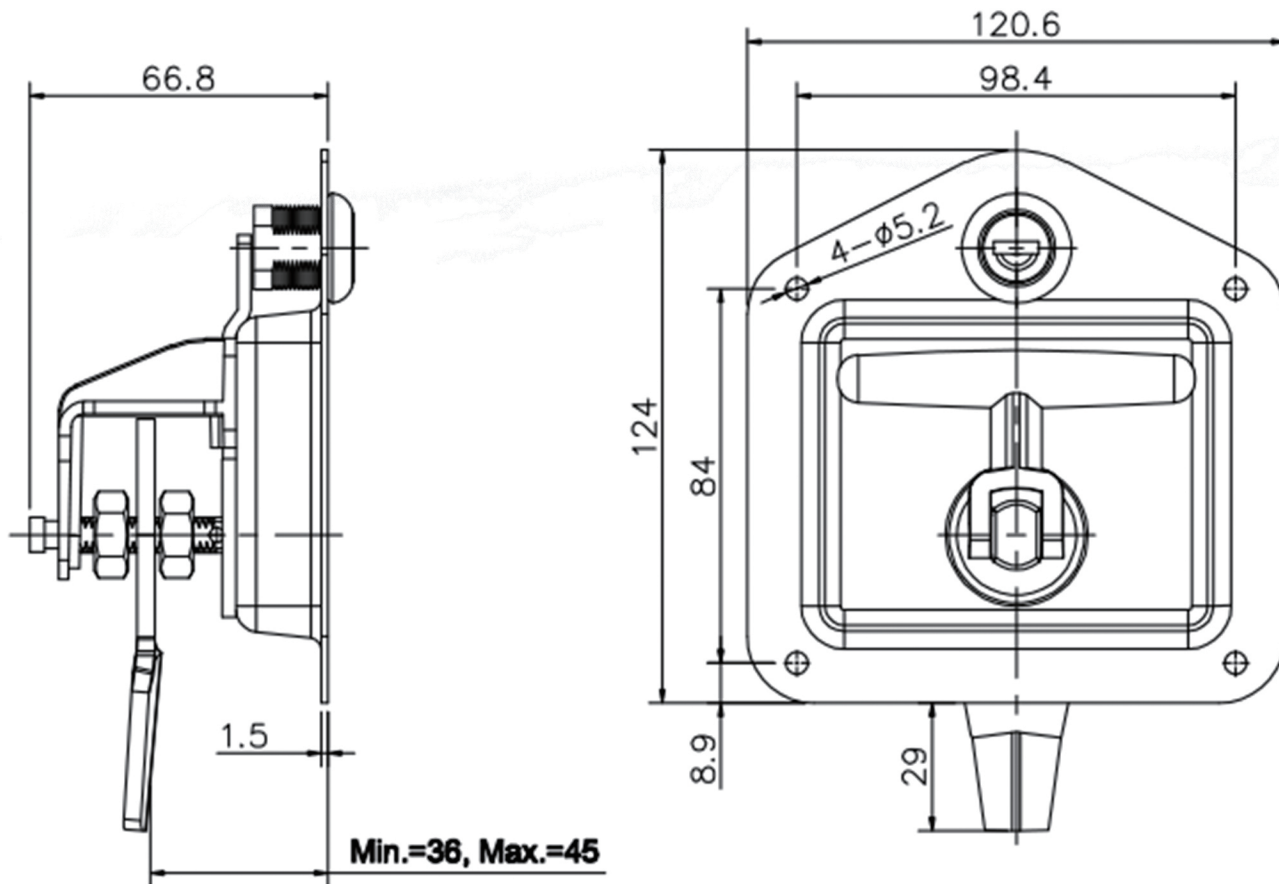
Overall drawing



66003-S

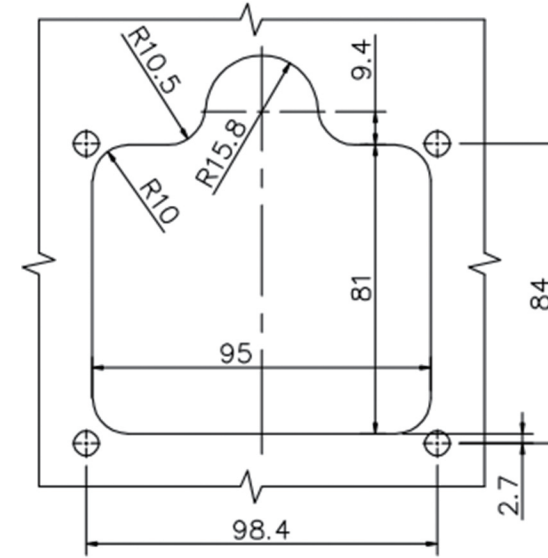


Overall drawing

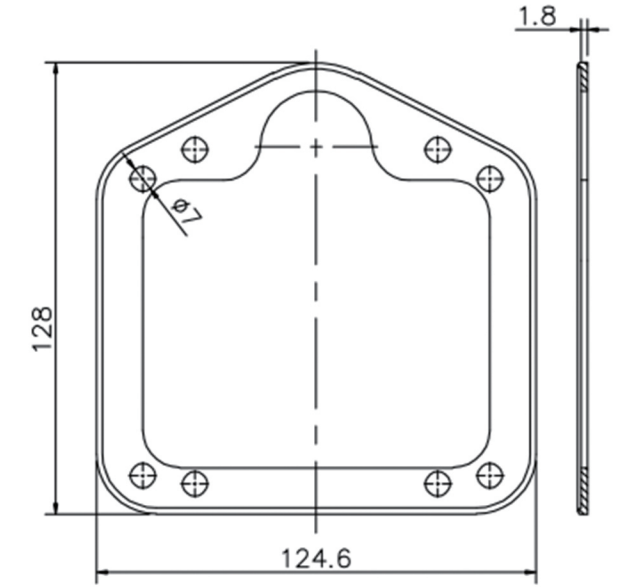


66003 Series gasket, Panel drilling Dimensions

Gasket material	
· PP	· PVC
· PU	· Rubber



开孔尺寸
Panel Drilling Dimensions

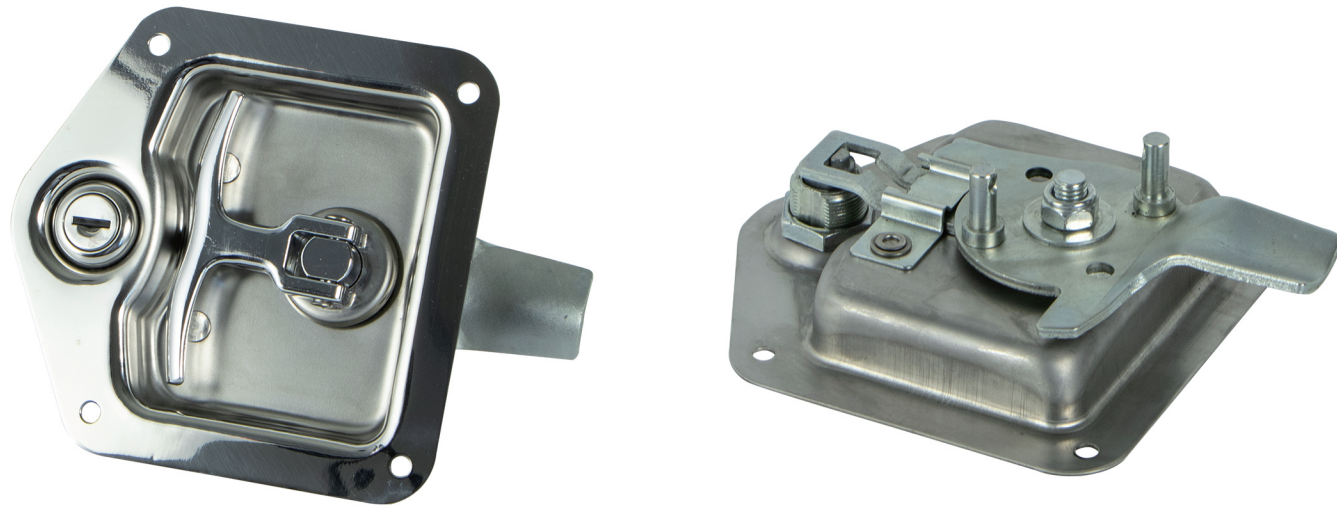


Gasket 垫片

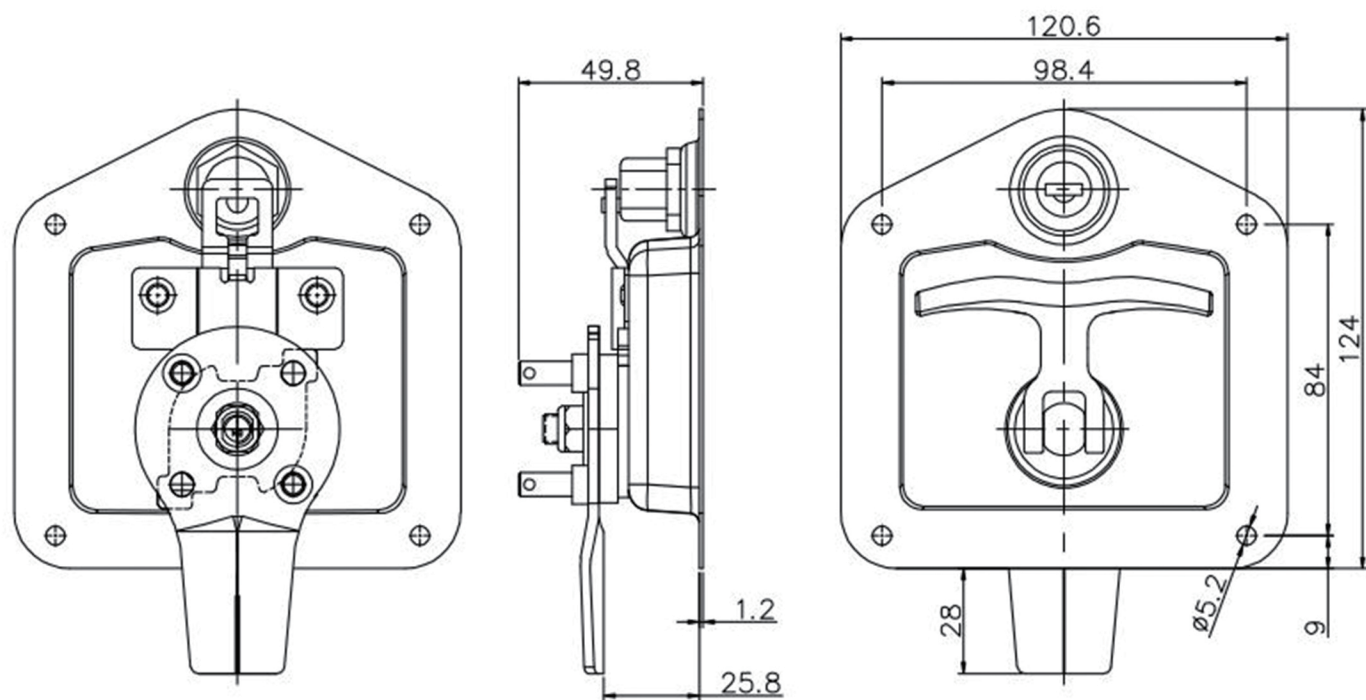
Model	Material	Surface treatment	Performance specification		Protection rate	Installation method	Anti-panic release	Adjustable range of tongue turning	Optional items
			SUS	Carbon steel					
66003	SUS304 Carbon steel	Bright polished Black powder coated	Bearable torque of handle : 36N.m	36N.m	IP65	Punching Studs	/	34mm-45mm	Gasket Key Handle Anti-dust cap
66003-B			Bearable torque of handle : 24N.m	24N.m					
66003-S			Bearable torque of handle : 32N.m	32N.m				36mm-45mm	

◆ 66004 Series

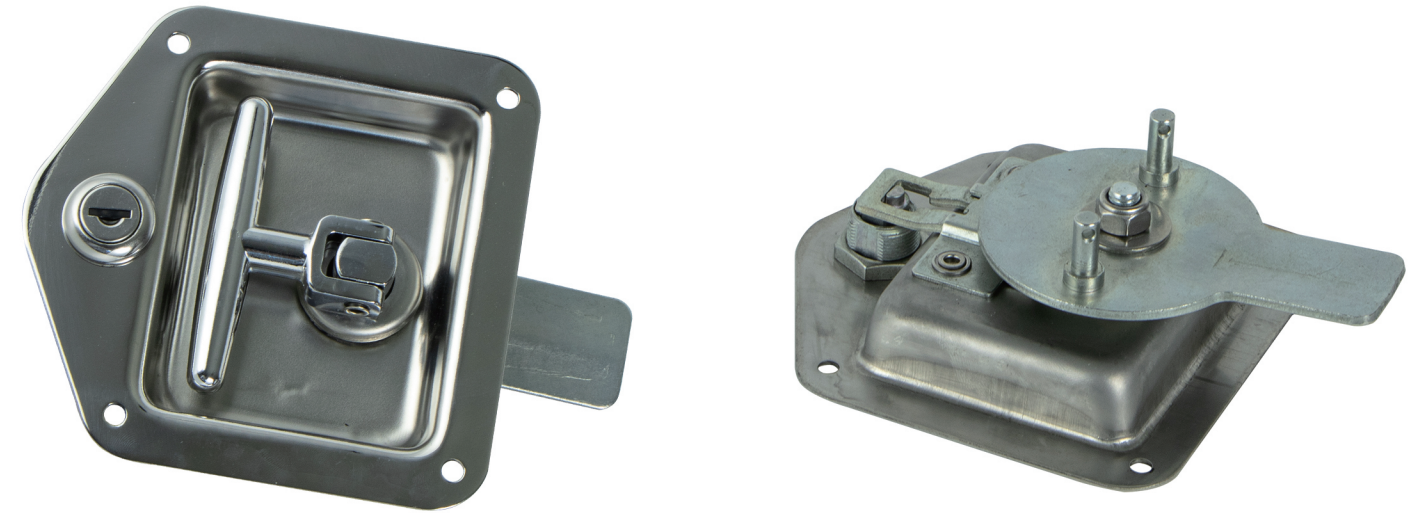
66004



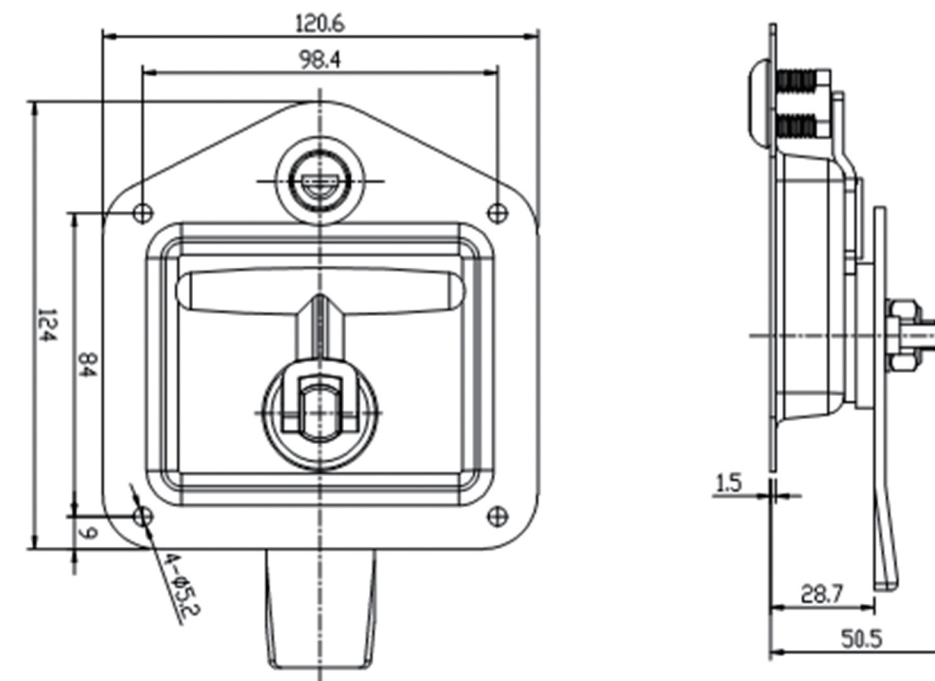
Overall drawing



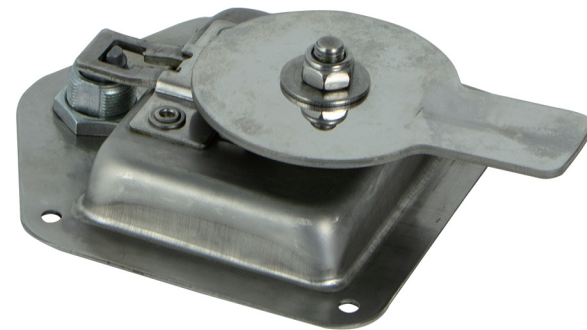
66004-B



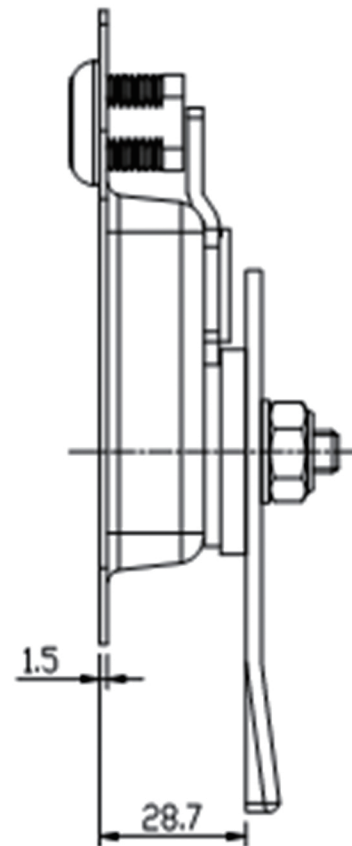
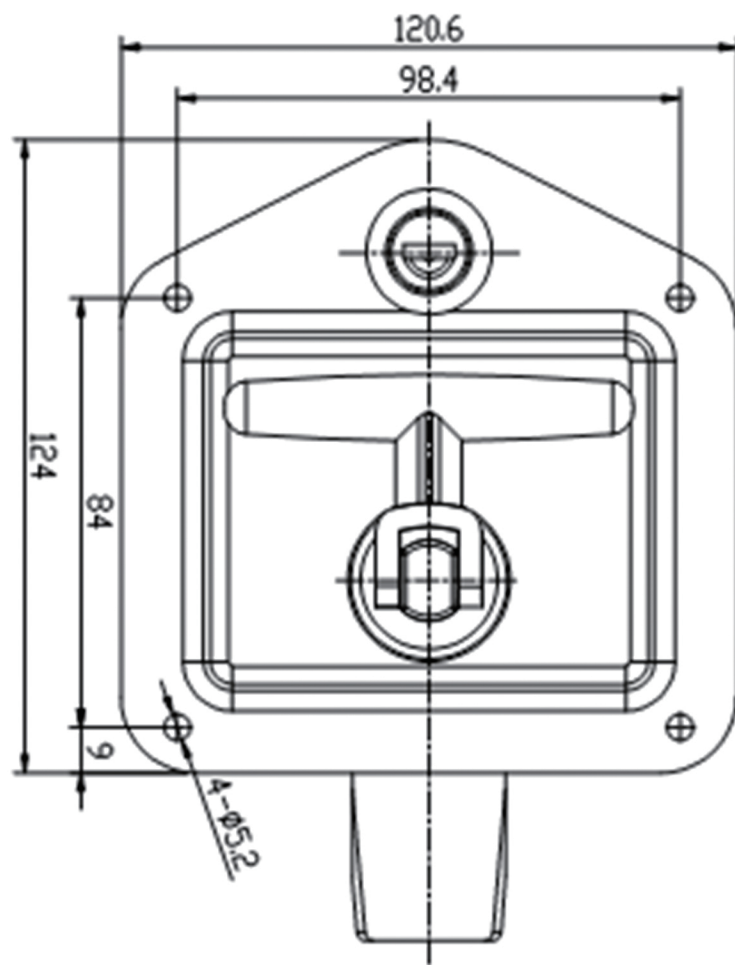
Overall drawing



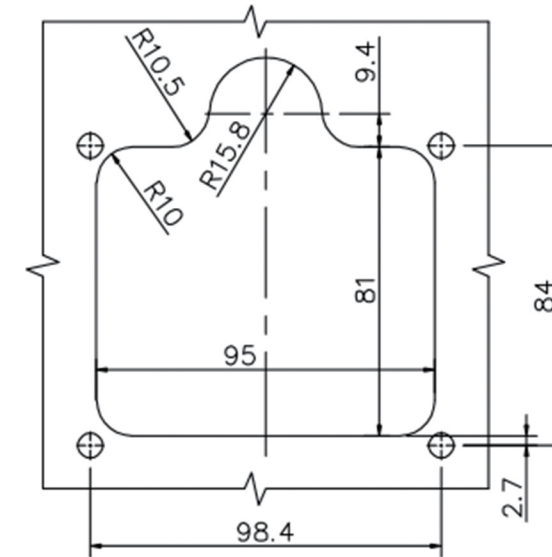
◆ 66004-C



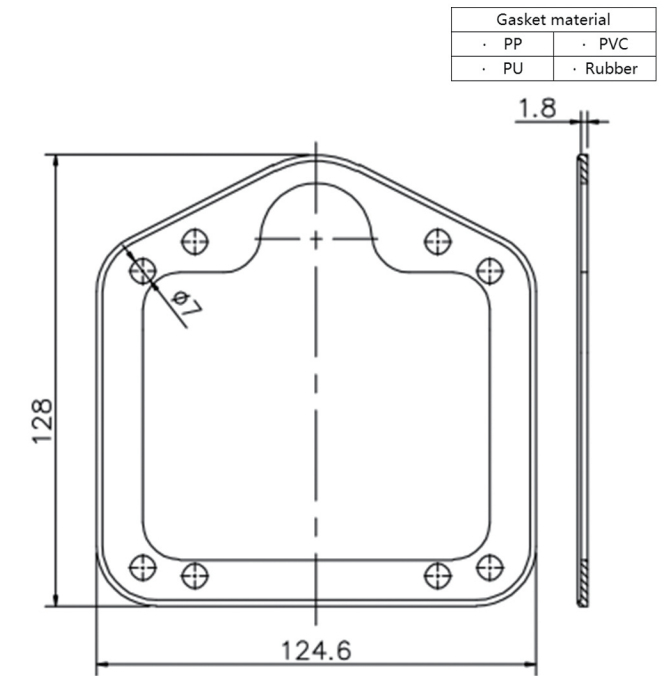
Overall drawing



66004 Series gasket, Panel drilling Dimensions



开孔尺寸
Panel Drilling Dimensions

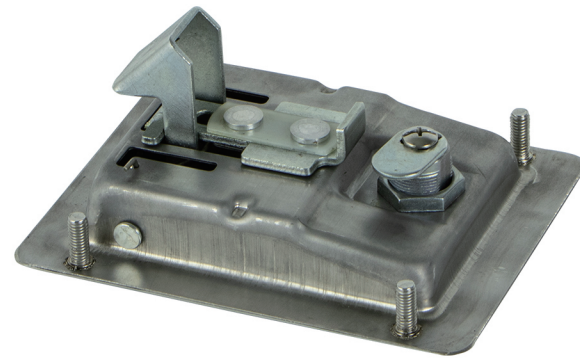


Gasket 垫片

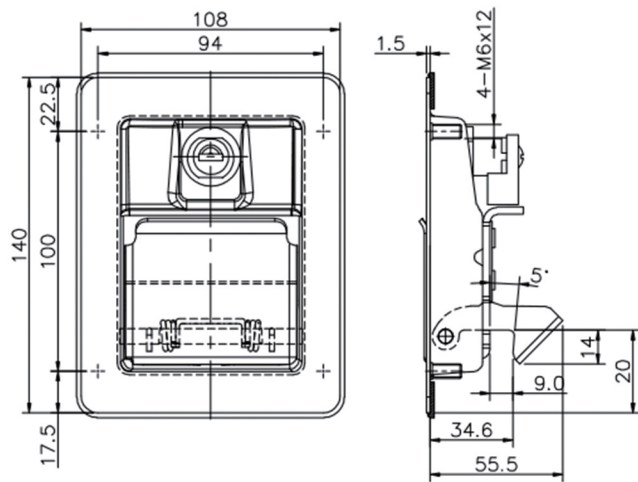
Gasket material	
· PP	· PVC
· PU	· Rubber

Model	Material	Surface treatment	Performance specification		Protection rate	Installation method	Anti-panic release	Adjustable range of tongue turning	Optional items
			SUS	Carbon steel					
66004	SUS304 Carbon steel	Bright polished Black powder coated	Bearable torque of handle :	36N.m	IP65	Punching Studs			Gasket Key Handle Anti-dust cap
Bearable tension of tongue :			0.55KN						
66004-B			Bearable torque of handle :	32N.m					
Bearable tension of tongue :			0.54KN						
66004-C			Bearable torque of handle :	32N.m					
Bearable tension of tongue :			0.54KN						

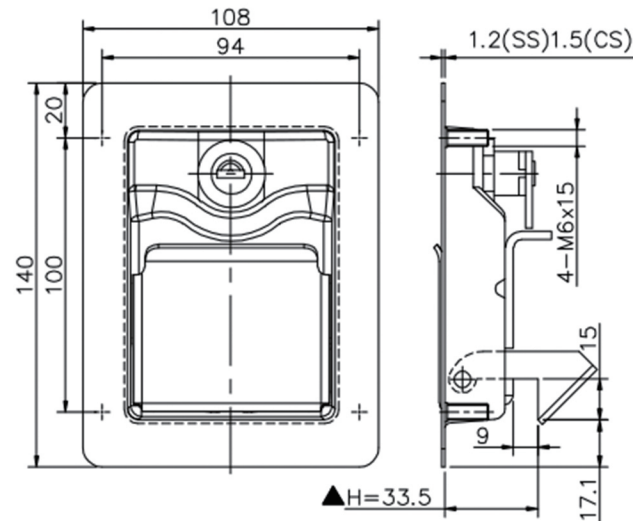
◆ 66005 Series



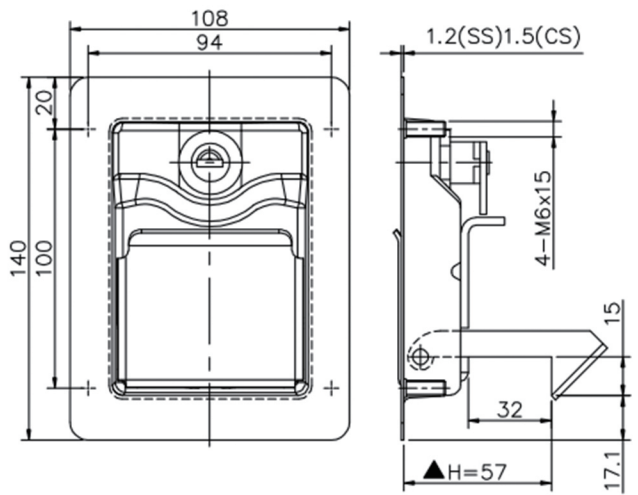
Overall drawing



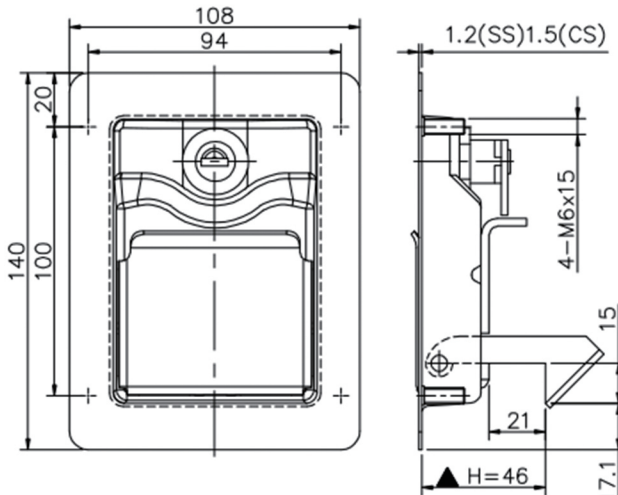
66005-AT



66005-B



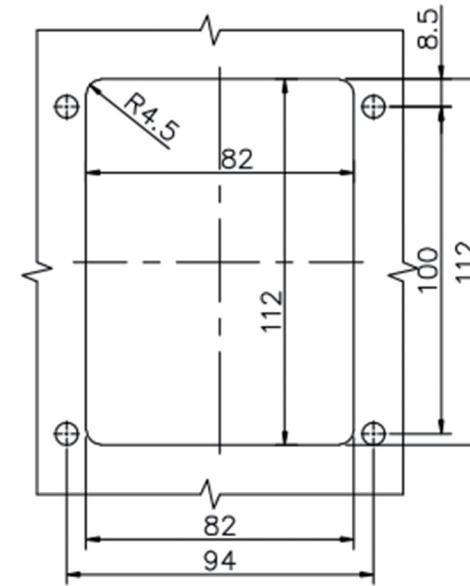
66005-C



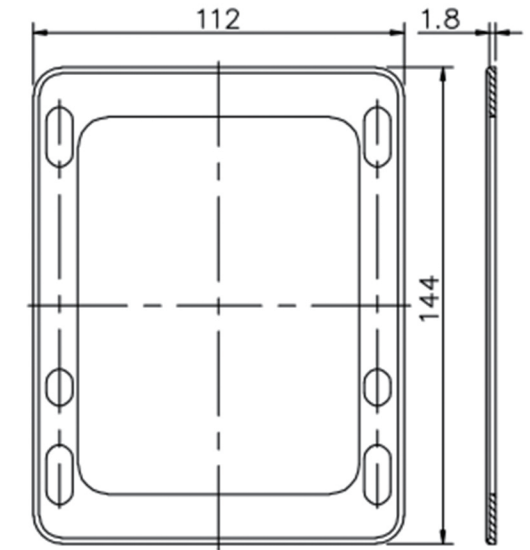
66005-D

66005 Series gasket, Panel drilling Dimensions

Gasket material	
· PP	· PVC
· PU	· Rubber



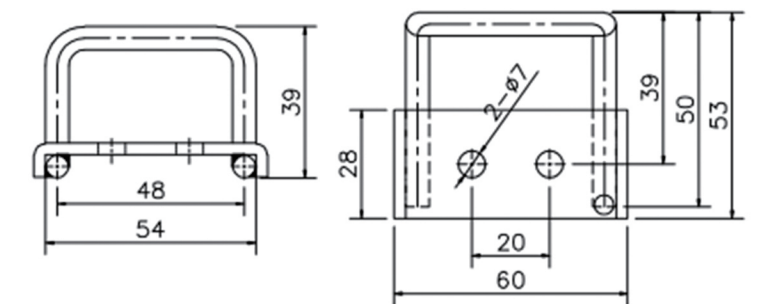
开孔尺寸
Panel Drilling Dimensions



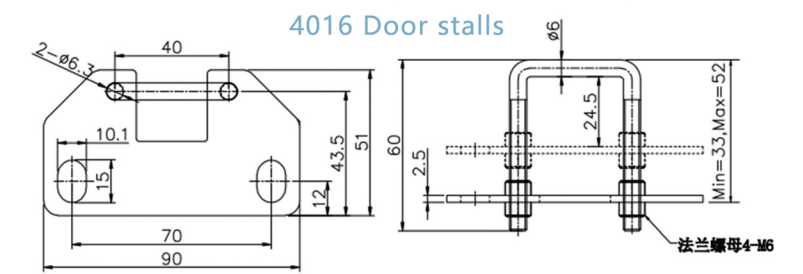
Gasket 垫片

Model	Material	Surface treatment	Performance specification		Protection rate	Installation method	Anti-panic release	Adjustable range of tongue turning	Optional items
			SUS	Carbon steel					
66005-AT	SUS304 Carbon steel	Bright polished Black powder coated	Hook bearable impact force : 1M/1.5KG	1M/1.5KG	Punching Studs	Interl release			Gasket Key Anti-dust cap
66005-B			The handle bearable tension : 0.315KN	0.335KN					
66005-C			Studs bearable tension : 4.3KN	5.5KN					
66005-D			Studs bearable torque : 27N.m	29N.m					

Hook length : H (Gasket included 1.8mm)	
66005-B	33.5
66005-C	57
66005-D	46



4016 Door stalls

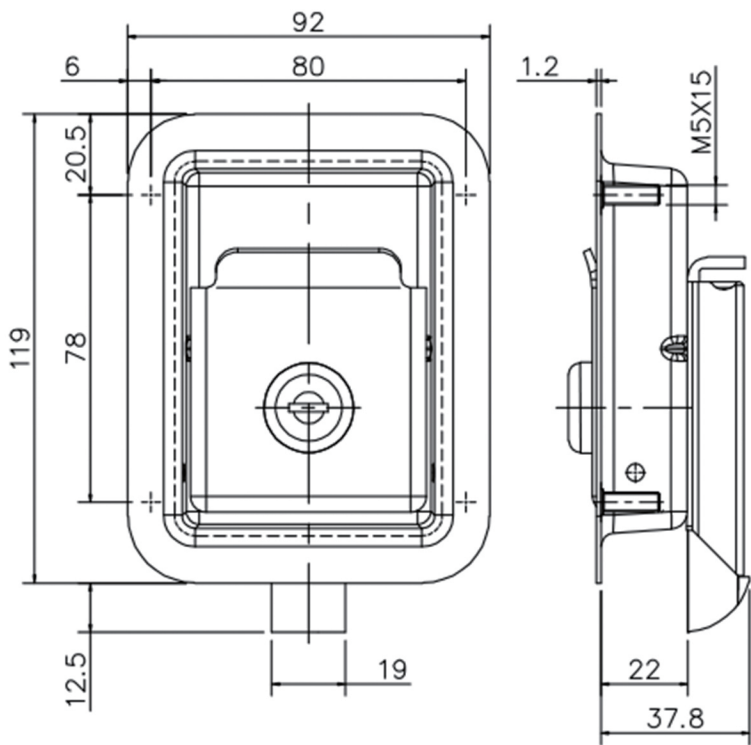


4026 Door stalls

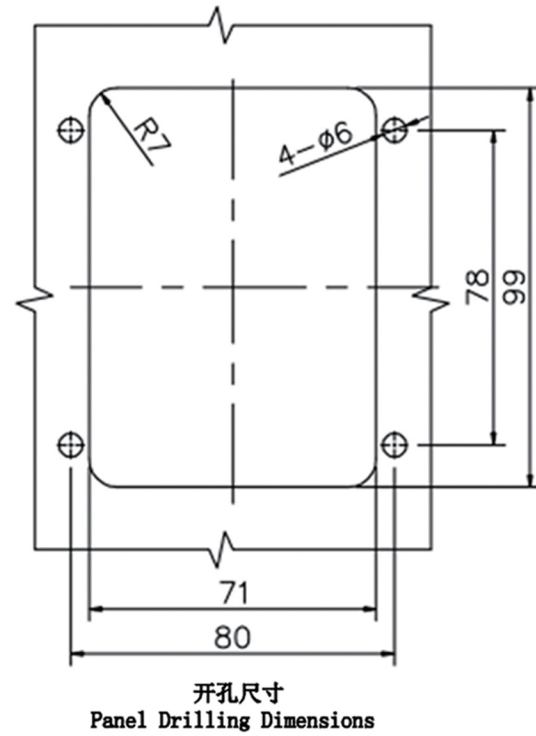
◆ 66008



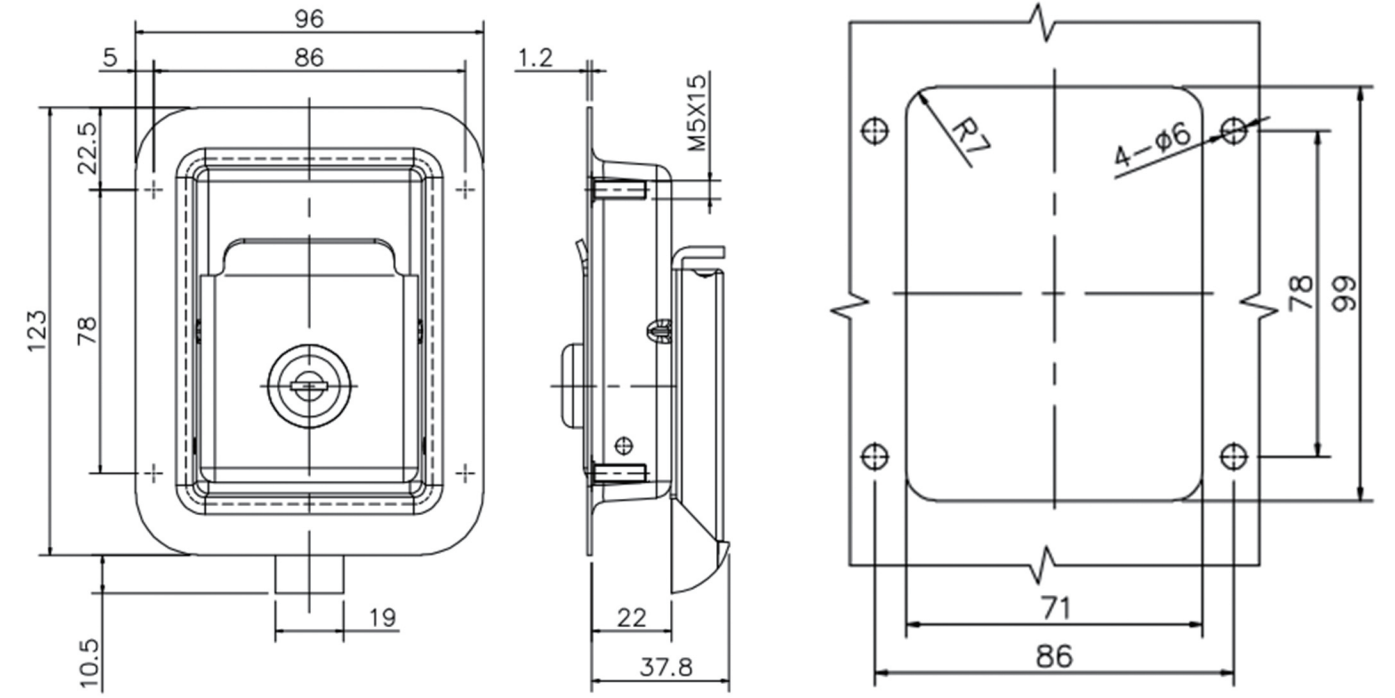
Overall drawing, gasket, Panel drilling Dimensions



66008-A



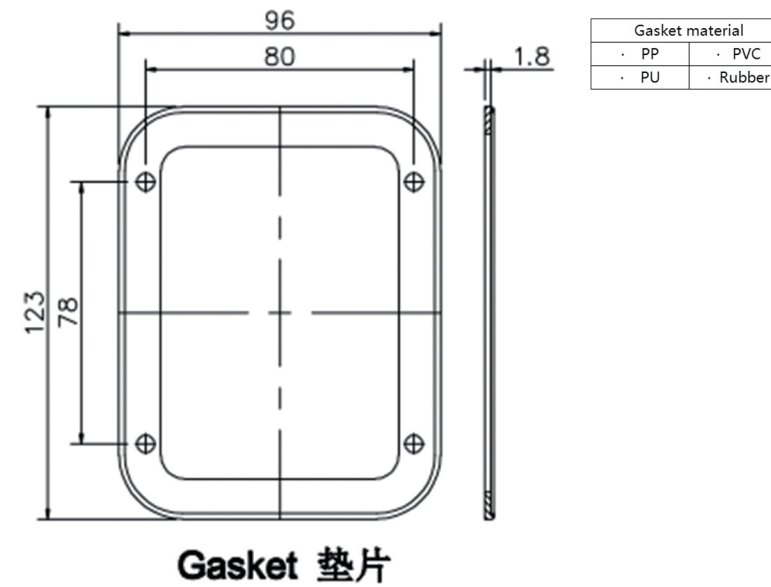
开孔尺寸
Panel Drilling Dimensions



开孔尺寸
Panel Drilling Dimensions

66008-B

Model	Material	Surface treatment	Performance specification		Protection rate	Installation method	Anti-panic release	Adjustable range of tongue turning	Optional items
			SUS	Carbon steel					
66008-A 66008-B	SUS304 Carbon steel	Bright polished Black powder coated	Zinc alloy tongue bearable tension : 2.7KN	2.9KN	/	Punching Studs	Internal release	/	Gasket Key Anti-dust cap
		The handle bearable tension : 0.37KN	0.36KN						
		Studs bearable tension : 3.65KN	2.3KN						
		Studs bearable torque : 10N.m	8.5N.m						

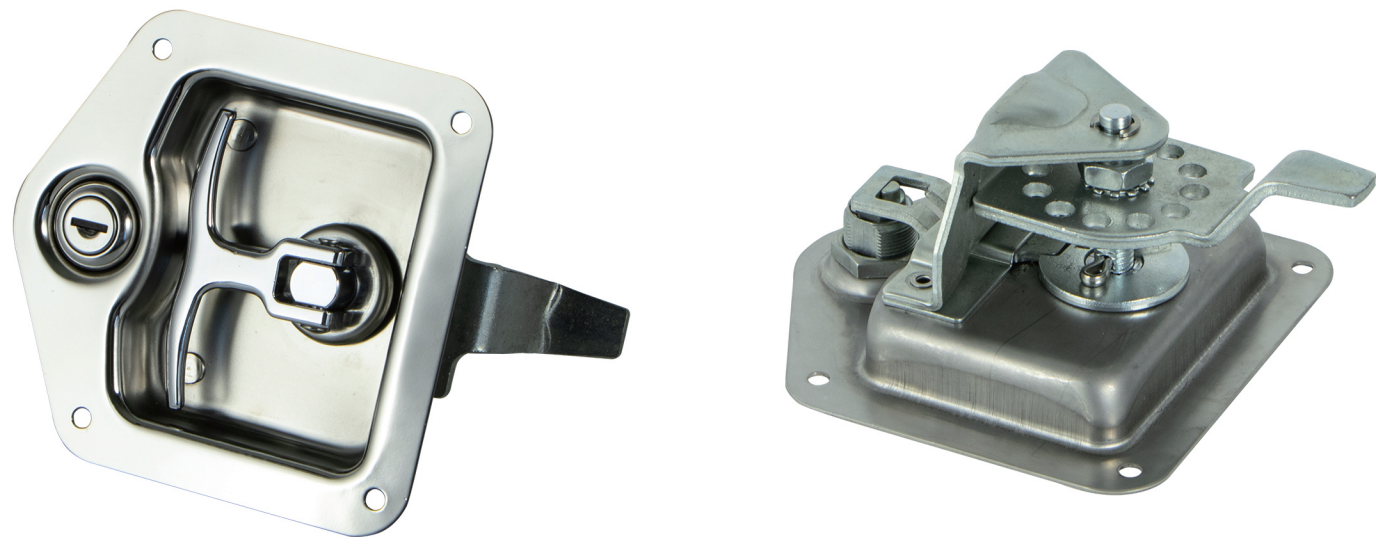


Gasket 垫片

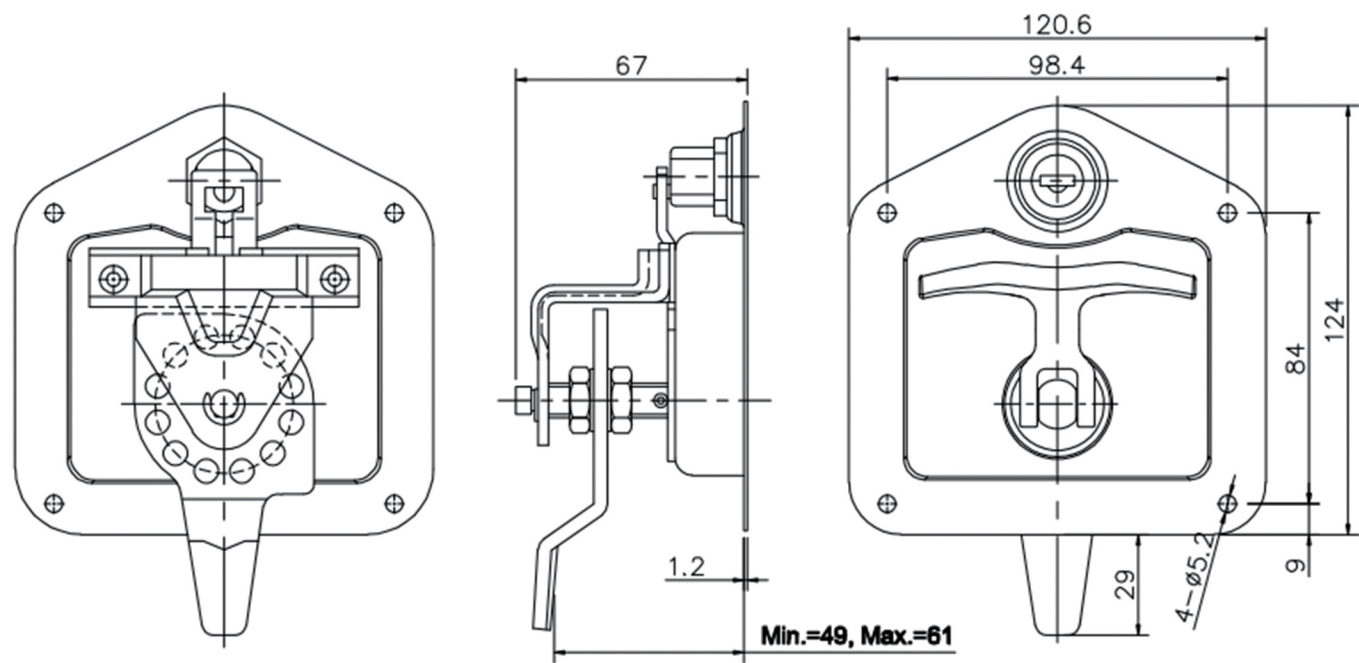
Gasket material	
· PP	· PVC
· PU	· Rubber

◆ 66009 Series

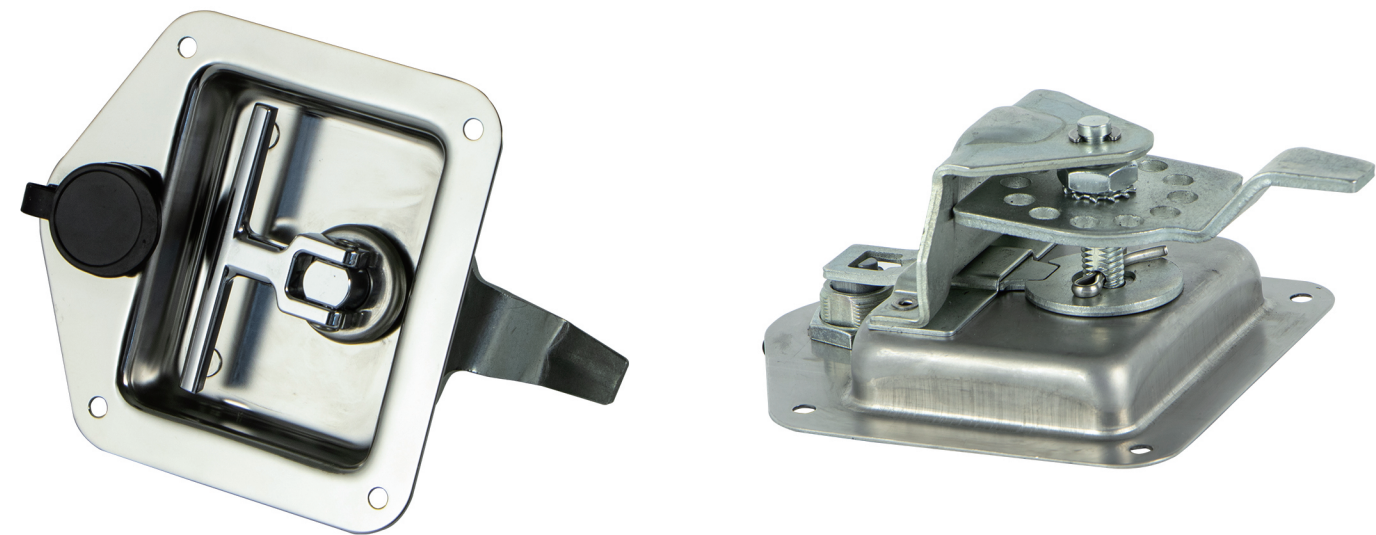
66009



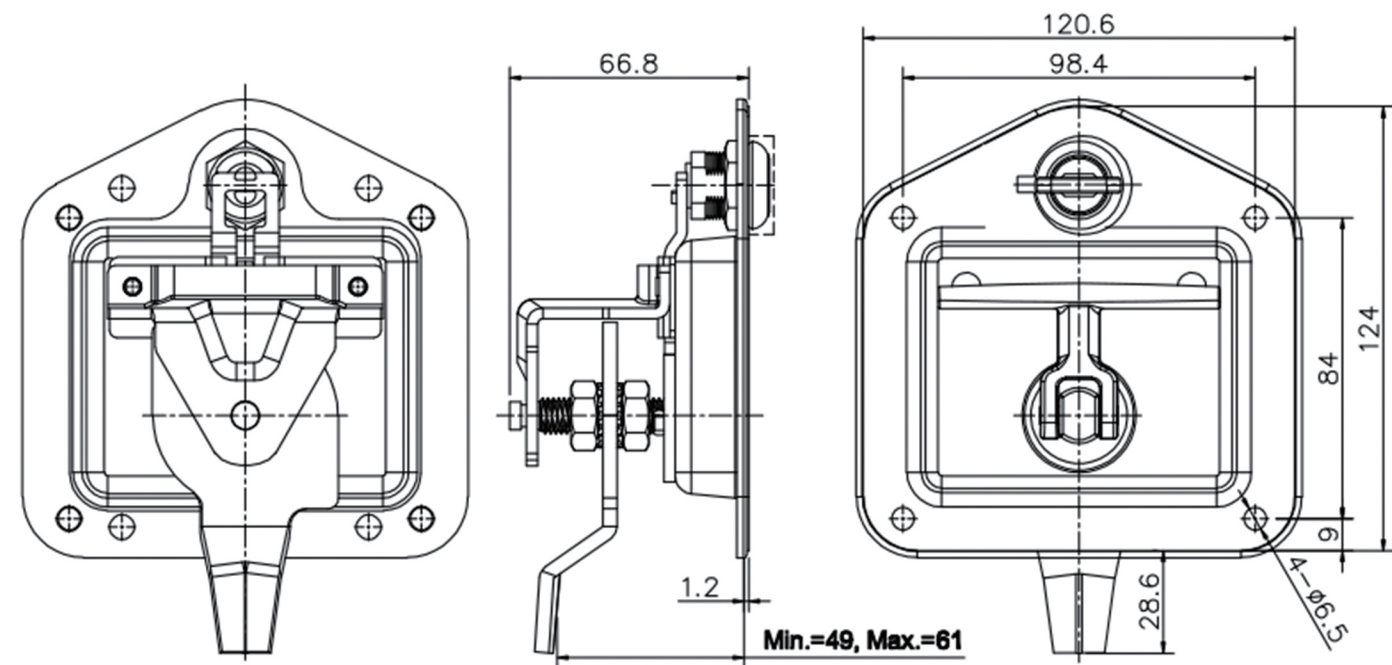
Overall drawing



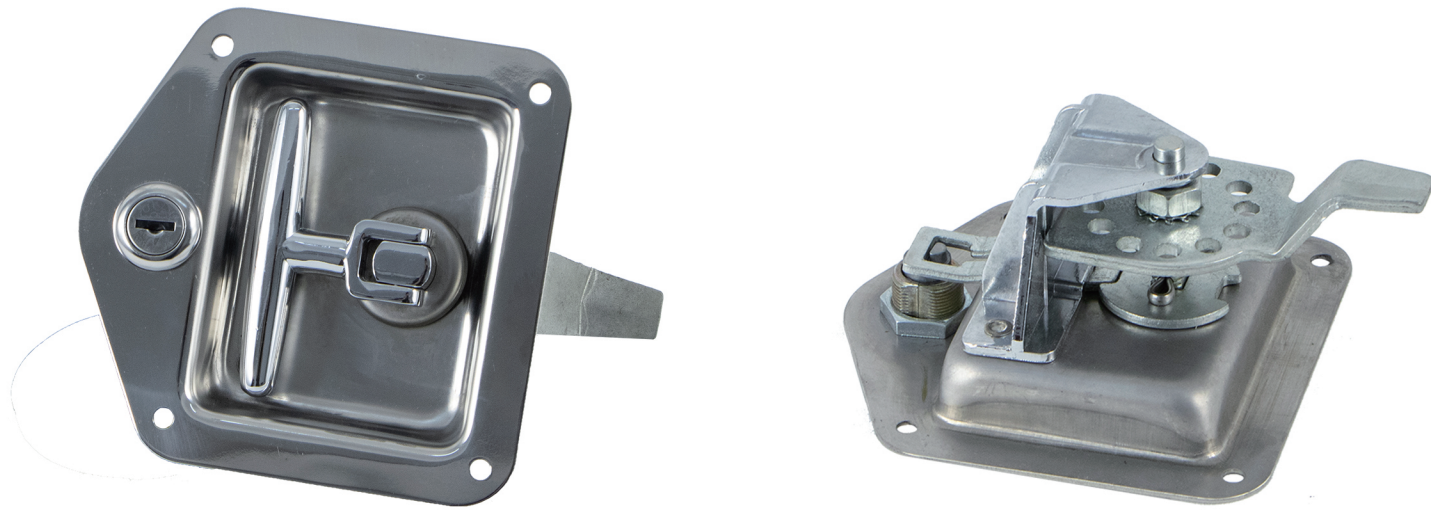
66009-B



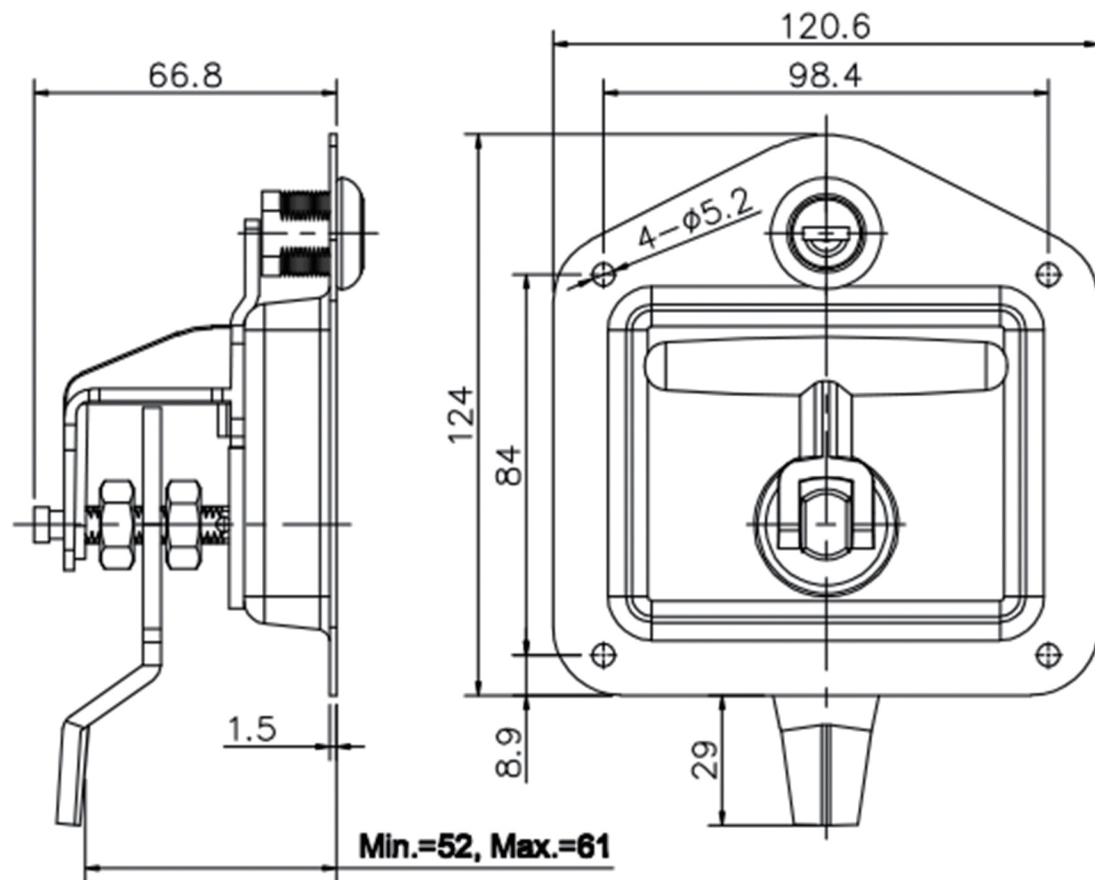
Overall drawing



66009-S



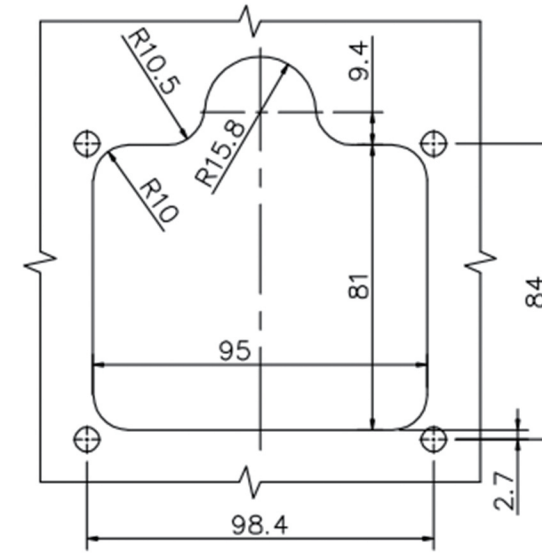
Overall drawing



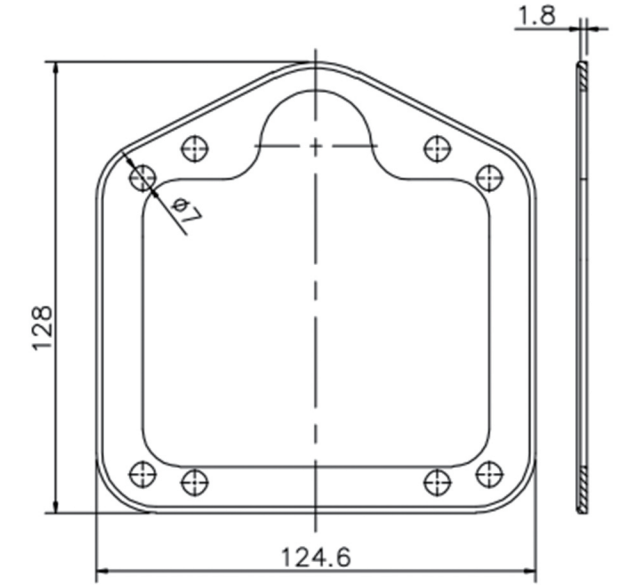
66009 Series gasket, Panel drilling

Dimensions

Gasket material	
· PP	· PVC
· PU	· Rubber



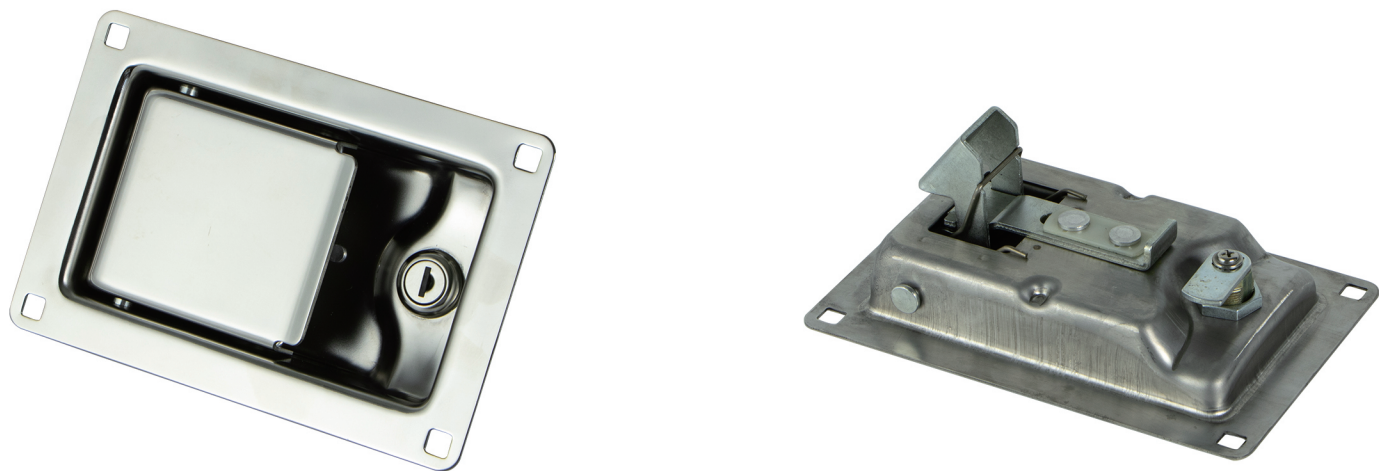
开孔尺寸
Panel Drilling Dimensions



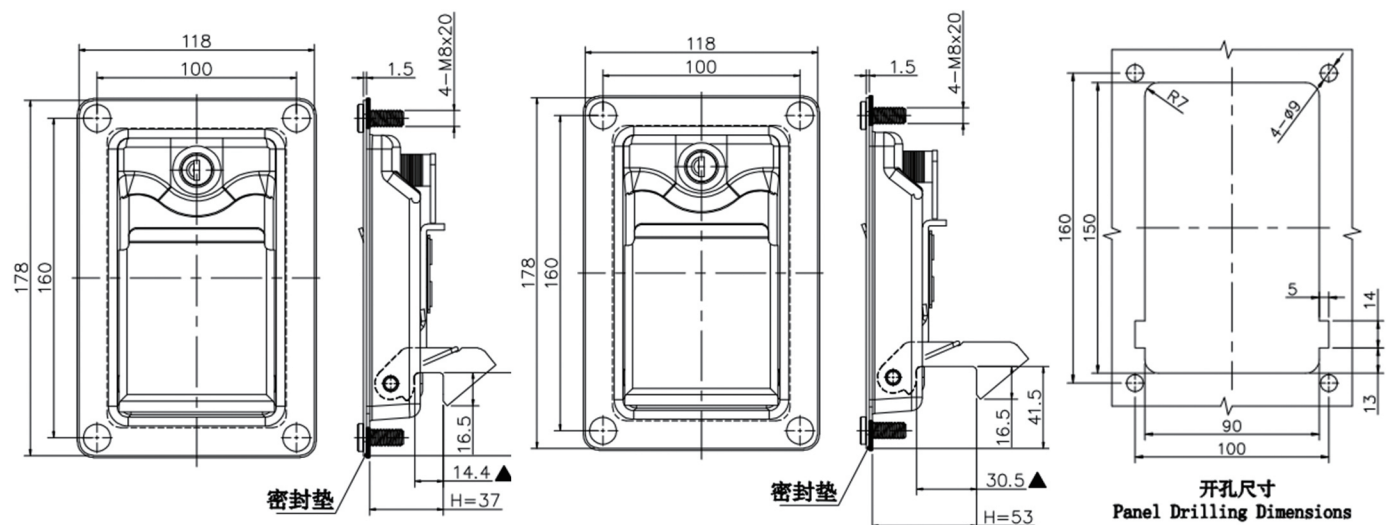
Gasket 垫片

Model	Material	Surface treatment	Performance specification		Protection rate	Installation method	Anti-panic release	Adjustable range of tongue turning	Optional items
			SUS	Carbon steel					
66009	SUS304 Carbon steel	Bright polished Black powder coated	Bearable torque of handle :	36N.m	IP65	Punching Studs	/	49mm-61mm	Gasket Key Handle Anti-dust cap
Bearable tension of tongue :			0.55KN						
Bearable torque of handle :			24N.m						
66009-B			Bearable tension of tongue :	0.55KN					
66009-S			Bearable torque of handle :	32N.m					
			Bearable tension of tongue :	0.55KN					
							52mm-61mm		

◆ 66012



Overall drawing,gasket, Panel drilling Dimensions

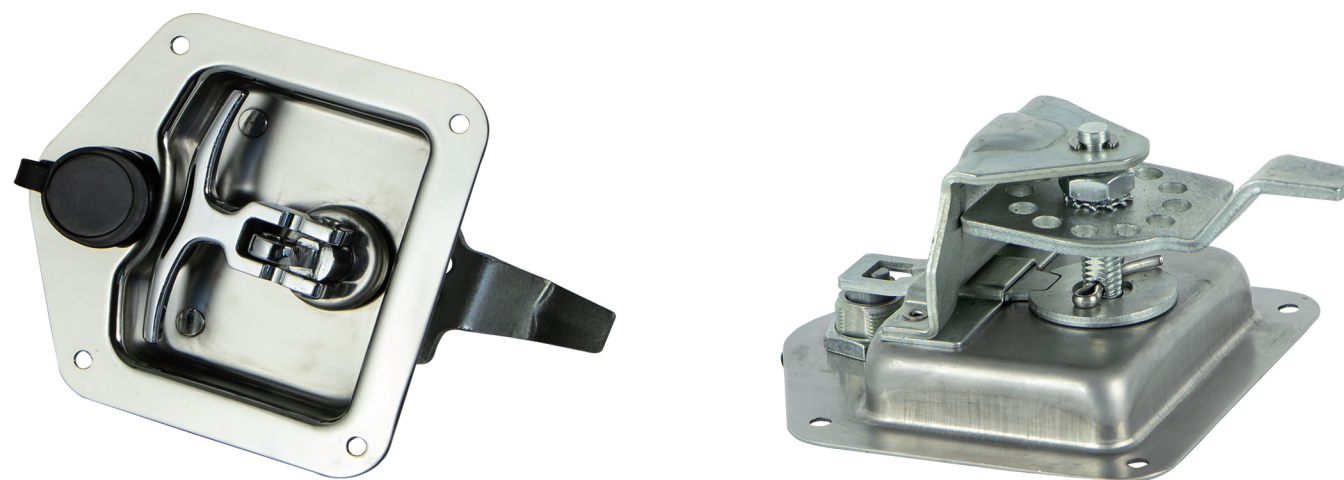


66012-A

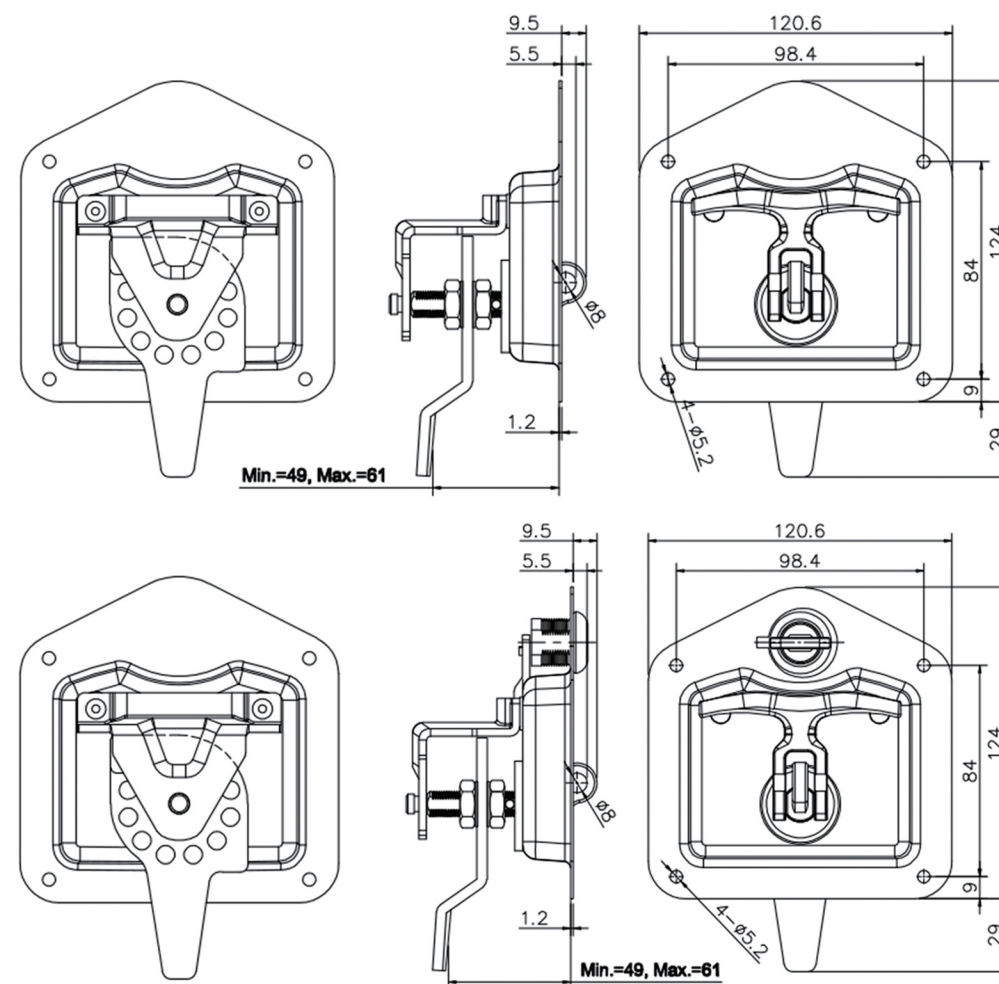
66012-B

Model	Material	Surface treatment	Performance specification		Protection rate	Installation method	Anti-panic release	Adjustable range of tongue turning	Optional items
			SUS	Carbon steel					
66012-A 66012-B	SUS304 Carbon steel	Bright polished Black powder coated	The handle bearable tension : 0.33KN	0.33KN	/	Studs	Interal release	/	Rubber gaskets Key Anti-dust cap
			The hook bearable tension : 4.4KN	4.4KN					

◆ 66014



Overall drawing,gasket, Panel drilling Dimensions

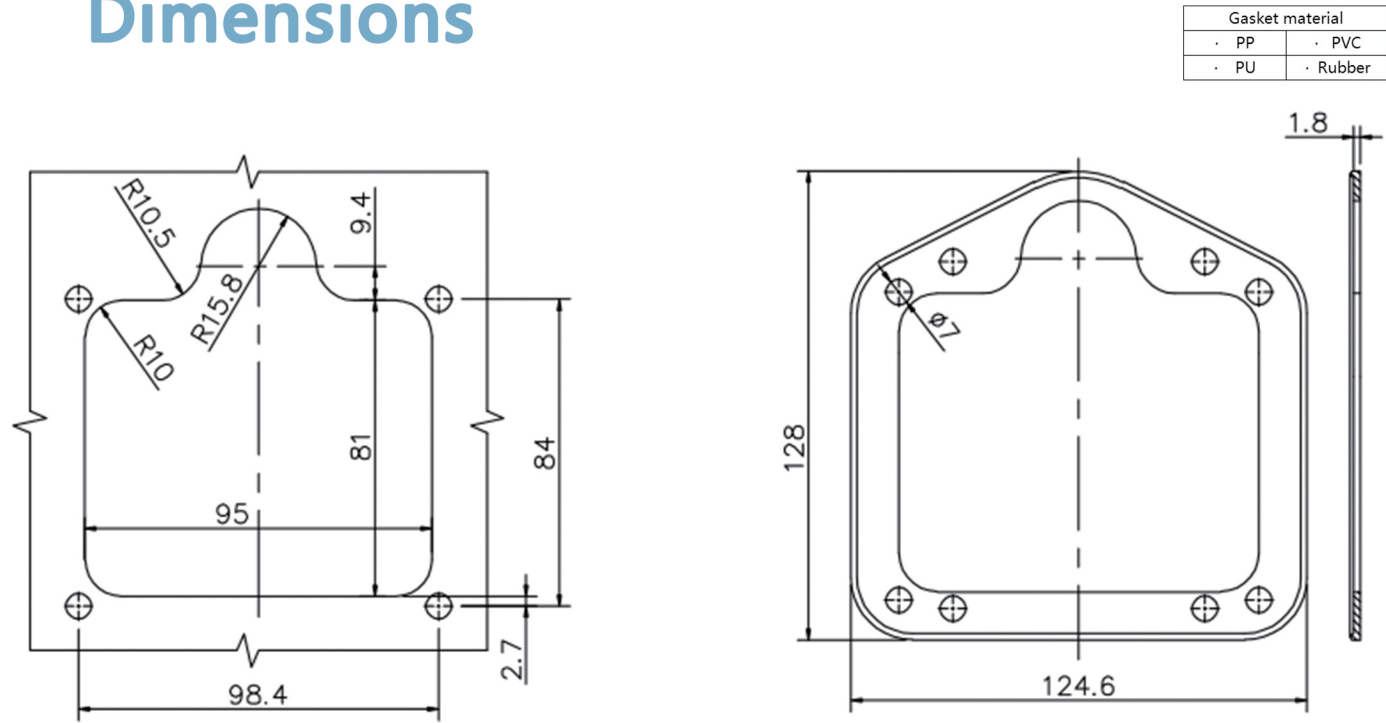


66014-A

66014-B

◆ 66014 Gasket, Panel drilling

Dimensions

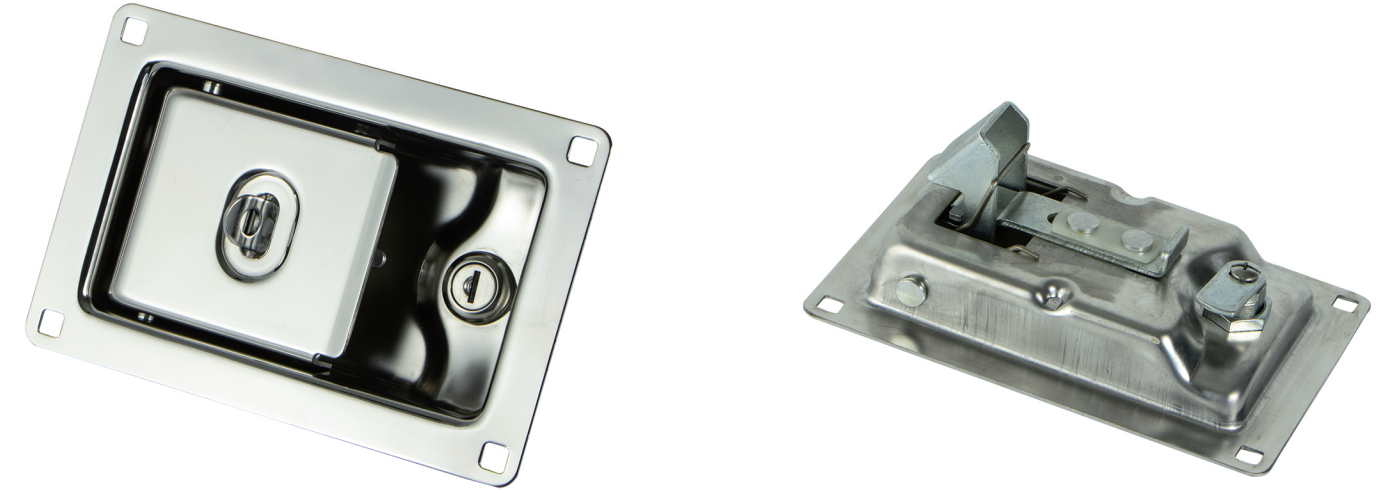


开孔尺寸
Panel Drilling Dimensions

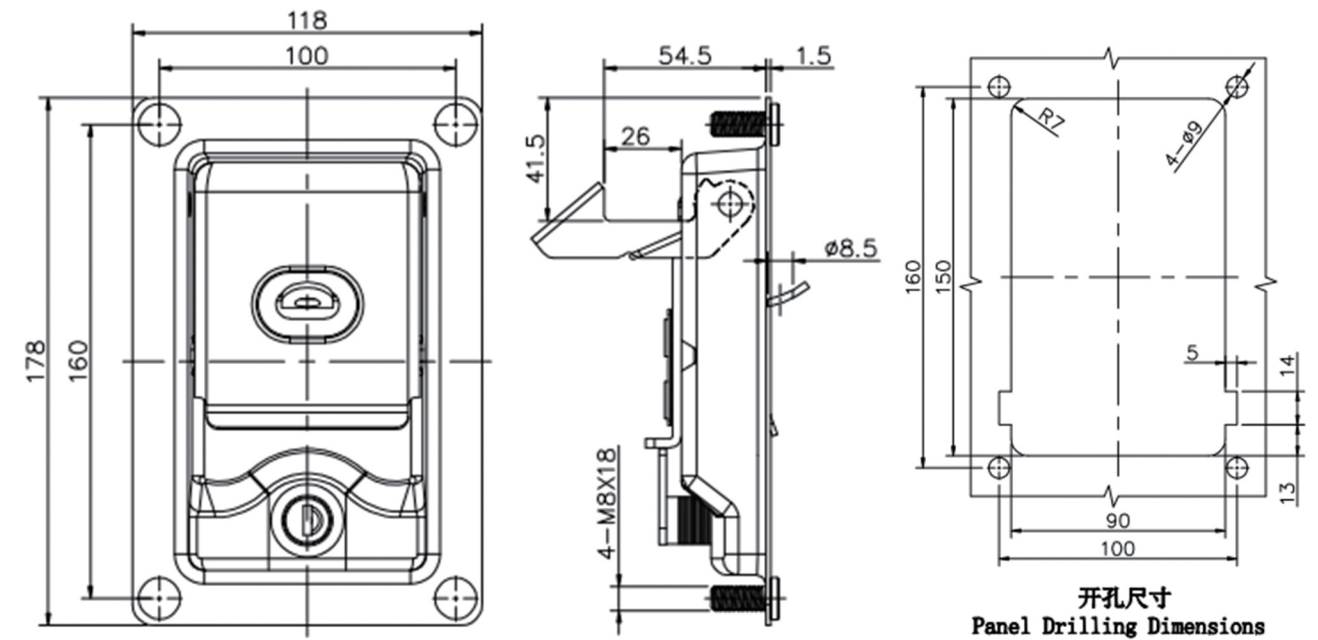
Gasket 垫片

Model	Material	Surface treatment	Performance specification		Protection rate	Installation method	Anti-panic release	Adjustable range of tongue turning	Optional items
			SUS	Carbon steel					
66014-A 66014-B	SUS304 Carbon steel	Bright polished Black powder coated	Bearable torque of handle : 36N.m	36N.m	IP65	Punching Studs		49mm-61mm	Gasket Key Anti-dust cap
			Bearable tension of tongue : 0.55KN	0.55KN					

◆ 66017



Overall drawing, Panel drilling Dimensions



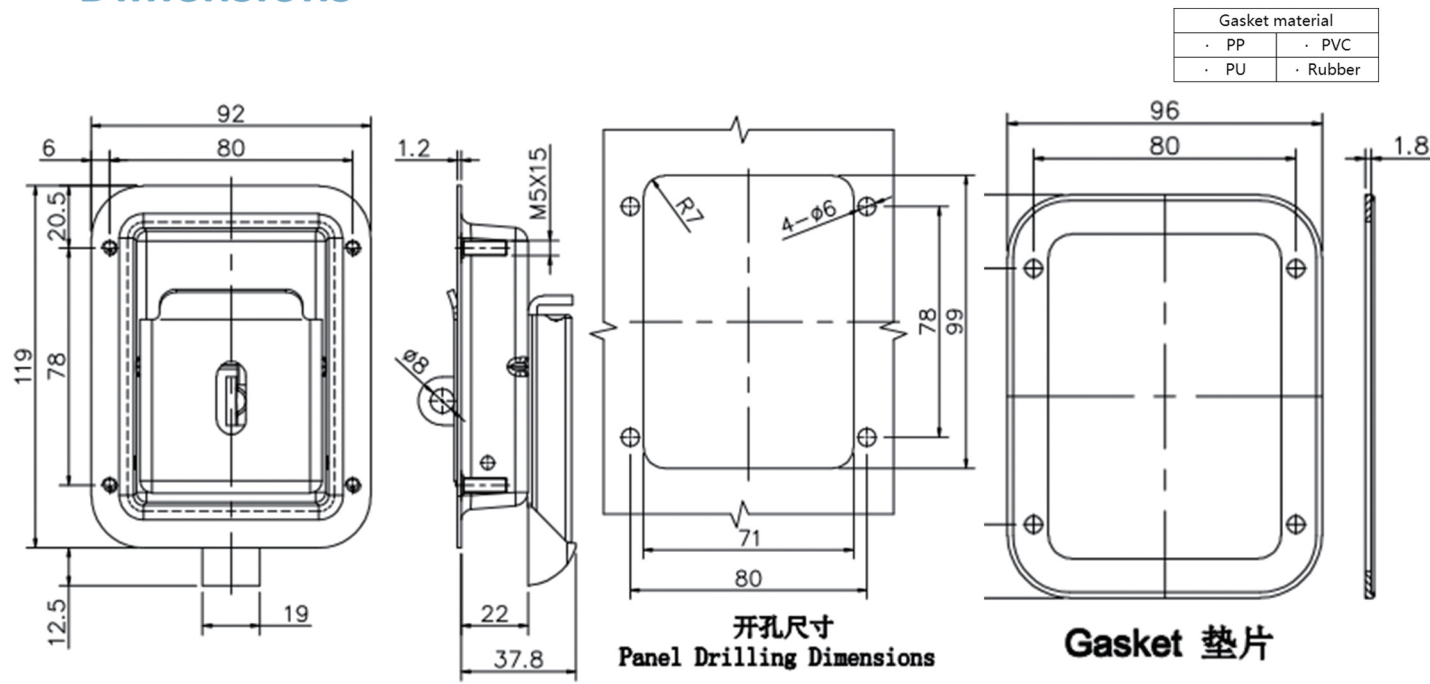
开孔尺寸
Panel Drilling Dimensions

Model	Material	Surface treatment	Performance specification		Protection rate	Installation method	Anti-panic release	Adjustable range of tongue turning	Optional items
			SUS	Zinc alloy					
66017	SUS304	Bright polished	Zinc alloy tongue bearable tension : KN			Studs	Internal release		Rubber gaskets Key Anti-dust cap
			Studs bearable tension : KN						
			Studs bearable torque : N.m						

◆ 66019



Overall drawing, gasket, Panel drilling Dimensions

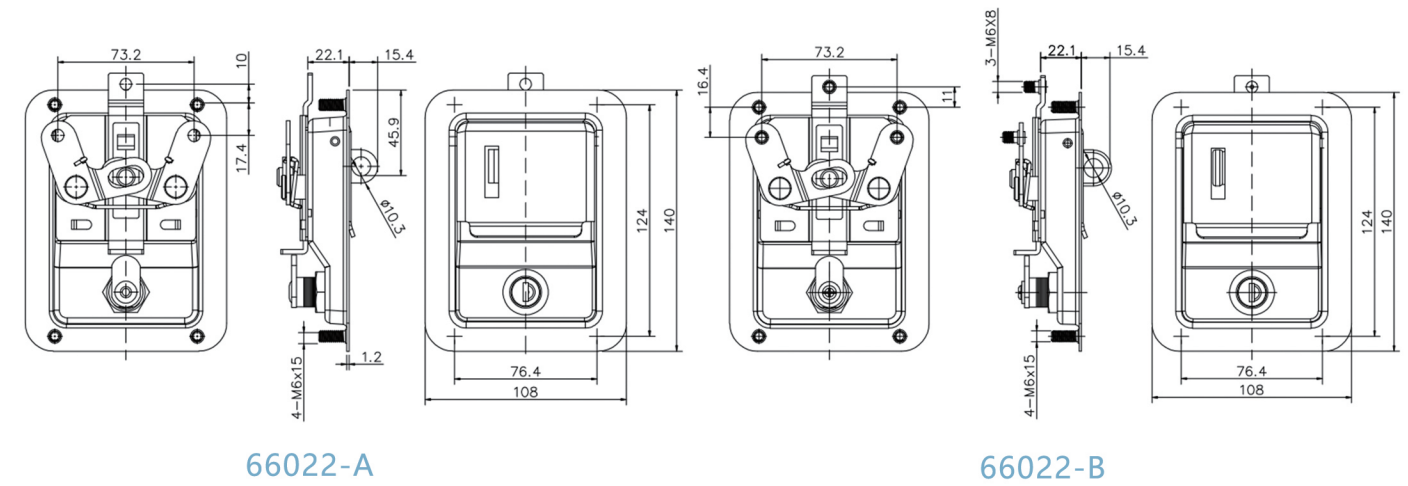


Model	Material	Surface treatment	Performance specification	Protection rate	Installation method	Anti-panic release	Adjustable range of tongue turning	Optional items
66019	SUS304	Bright polished	SUS	/	Studs	Internal release	/	Gasket
			Zinc alloy tongue bearable tension : 2.7KN					
			Studs bearable tension : 3.65KN					
			Studs bearable torque : 10N.m					

◆ 66022



Overall drawing

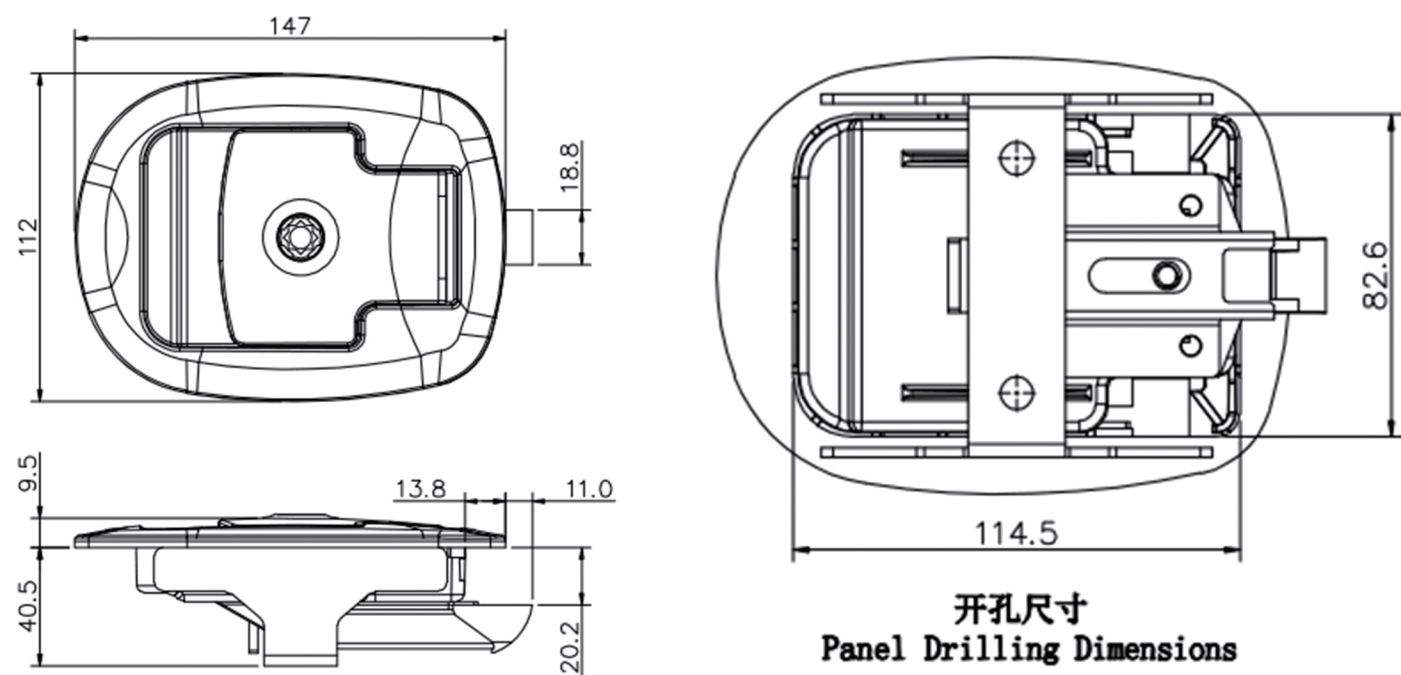


Model	Material	Surface treatment	Performance specification	Protection rate	Installation method	Anti-panic release	Adjustable range of tongue turning	Optional items
66022-A	Carbon steel	Black powder coated	Carbon steel	/	Studs	/	/	/
66022-B			The handle bearable tension : 0.2KN					

◆ 66023

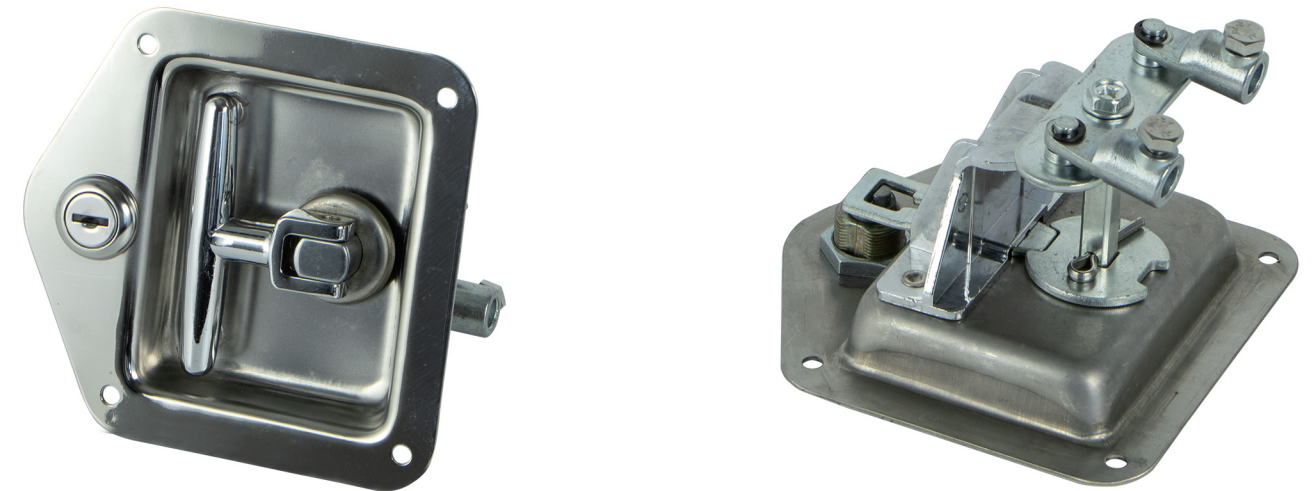


Overall drawing, Panel drilling Dimensions

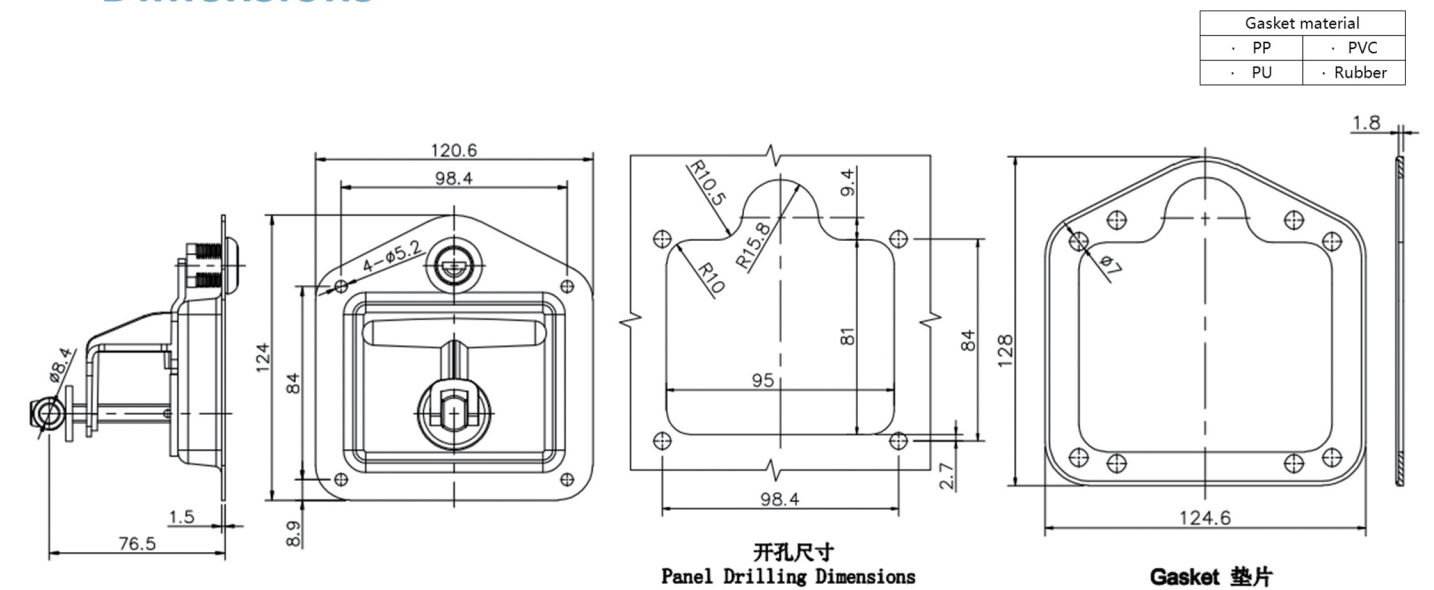


Model	Material	Surface treatment	Performance specification	Protection rate	Installation method	Anti-panic release	Adjustable range of tongue turning	Optional items
66023	Nylon + GF	Black	Nylon + GF		Platen	Internal release		
			The handle bearable tension : 0.25KN					

◆ 66026



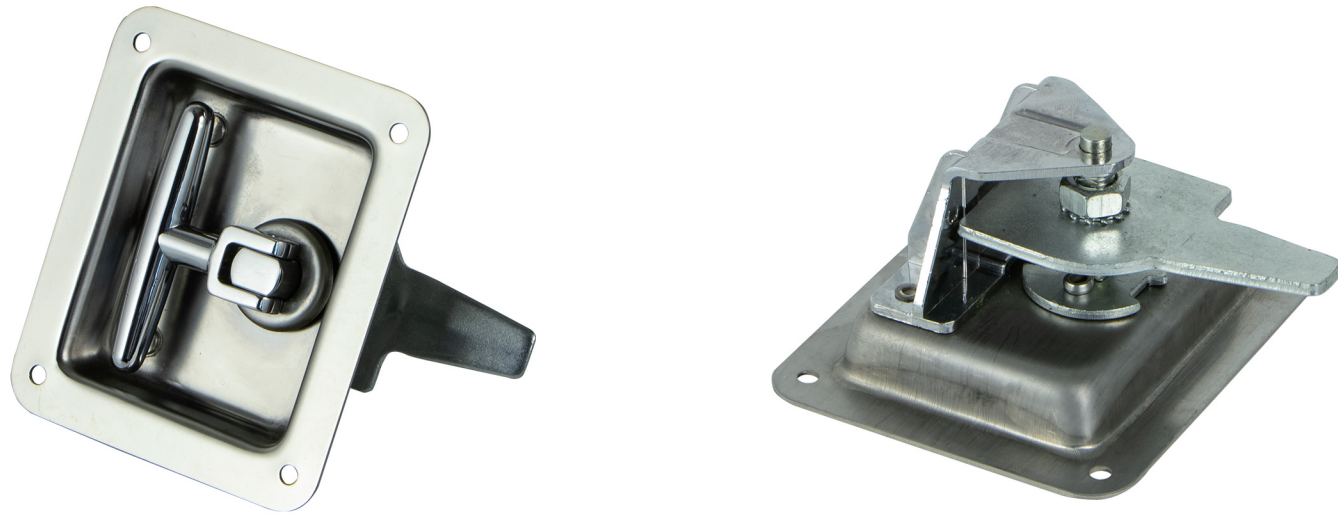
Overall drawing, gasket, Panel drilling Dimensions



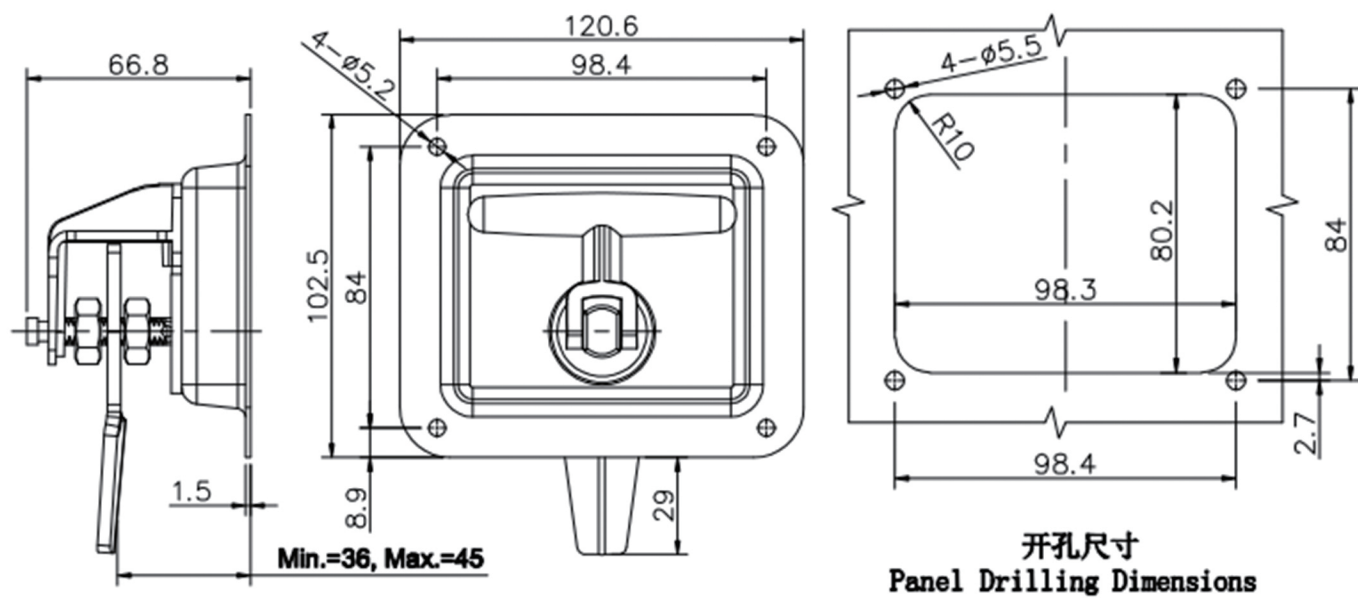
Gasket material	
· PP	· PVC
· PU	· Rubber

Model	Material	Surface treatment	Performance specification		Protection rate	Installation method	Anti-panic release	Adjustable range of tongue turning	Optional items
66026	SUS304 Carbon steel	Bright polished Black powder coated	SUS	Carbon steel	IP65	Punching Studs		36mm-45mm	Gasket Key Anti-dust cap

◆ 66027



Overall drawing, Panel drilling Dimensions

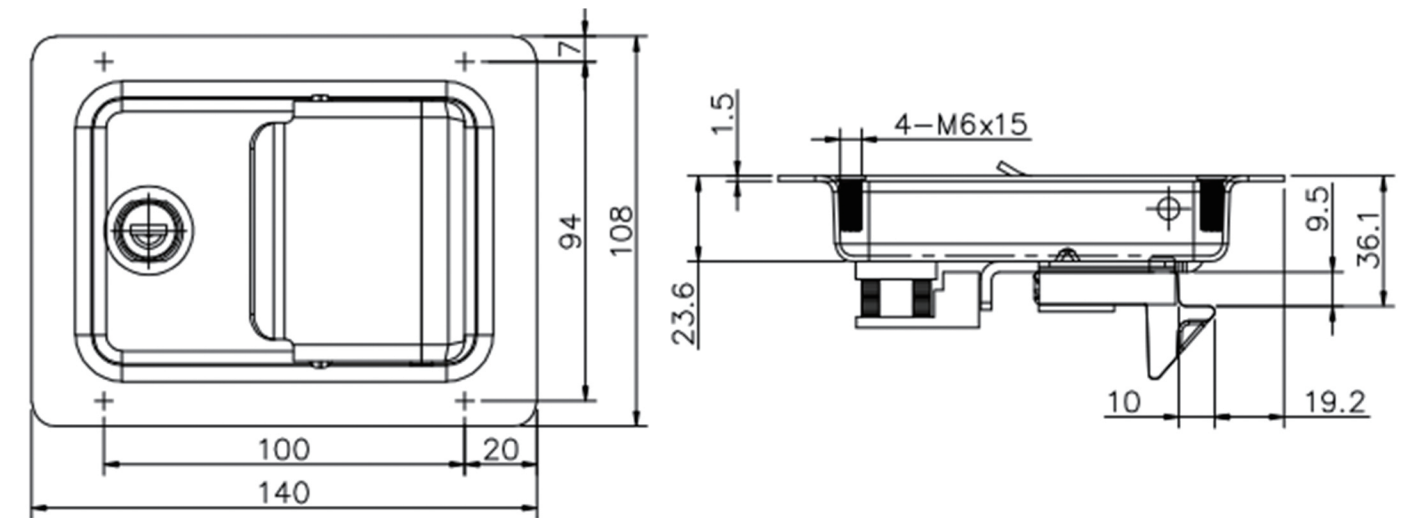


Model	Material	Surface treatment	Performance specification		Protection rate	Installation method	Anti-panic release	Adjustable range of tongue turning	Optional items
			SUS	Carbon steel					
66027	SUS304 Carbon steel	Bright polished Black powder coated			IP65	Punching		36mm-45mm	

◆ 66029



Overall drawing

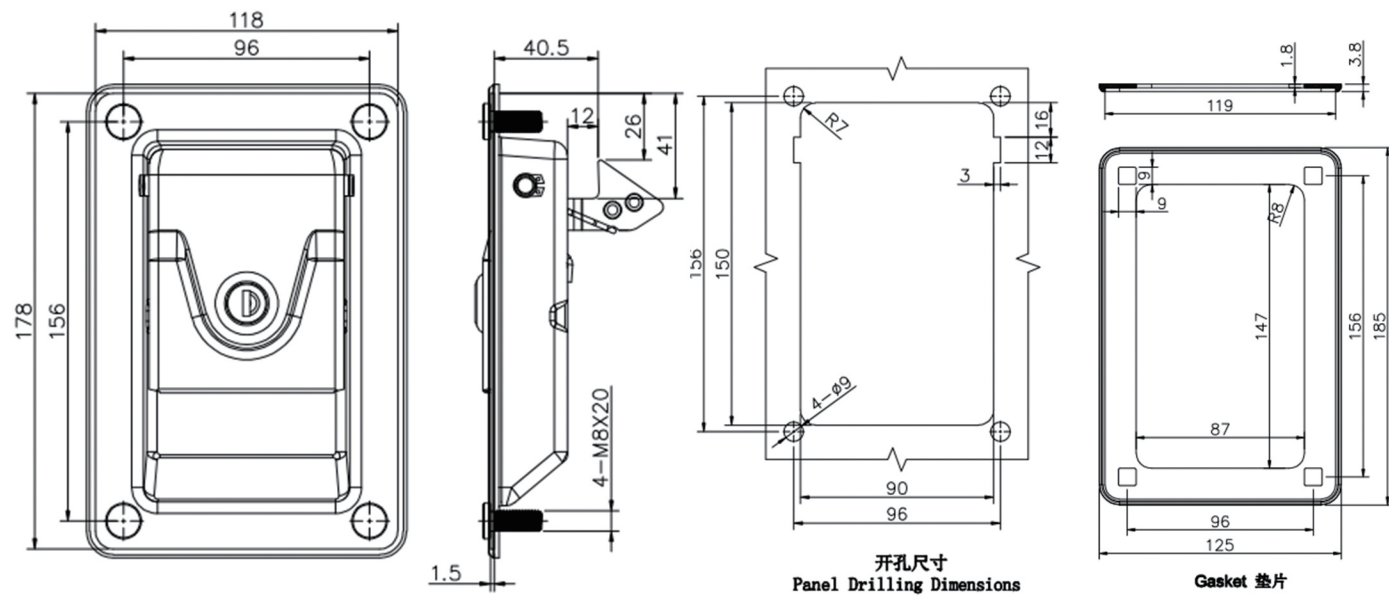


Model	Material	Surface treatment	Performance specification	Protection rate	Installation method	Anti-panic release	Adjustable range of tongue turning	Optional items
66029	Carbon steel	Black powder coated	Carbon steel		Studs			Gasket Key
			The handle bearable tension : 0.51KN					
			Tongue bearable tension : 2.3KN					

◆ 66031



Overall drawing,gasket, Panel drilling Dimensions

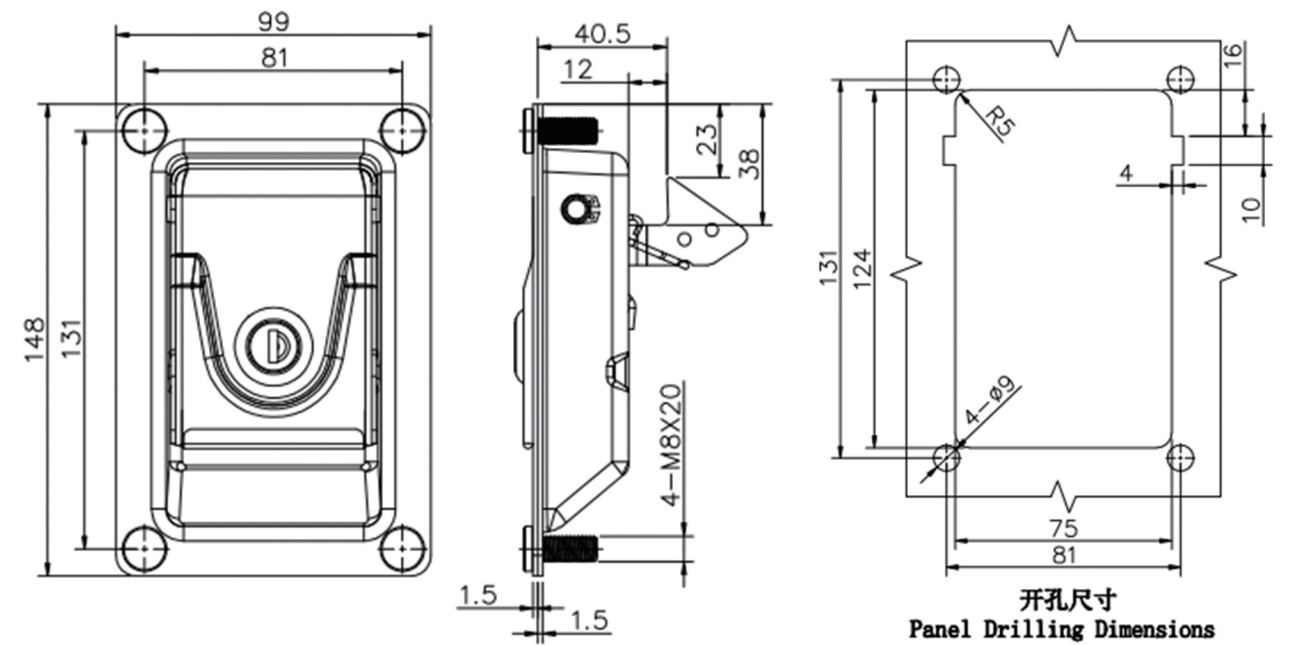


Model	Material	Surface treatment	Performance specification	Protection rate	Installation method	Anti-panic release	Adjustable range of tongue turning	Optional items
66031	Carbon steel	Black powder coated	Carbon steel	/	Studs	/	/	Gasket Anti-dust cap
			The handle bearable tension : 0.27KN					
			The hook bearable tension : 2.4KN					

◆ 66032



Overall drawing,Panel drilling Dimensions

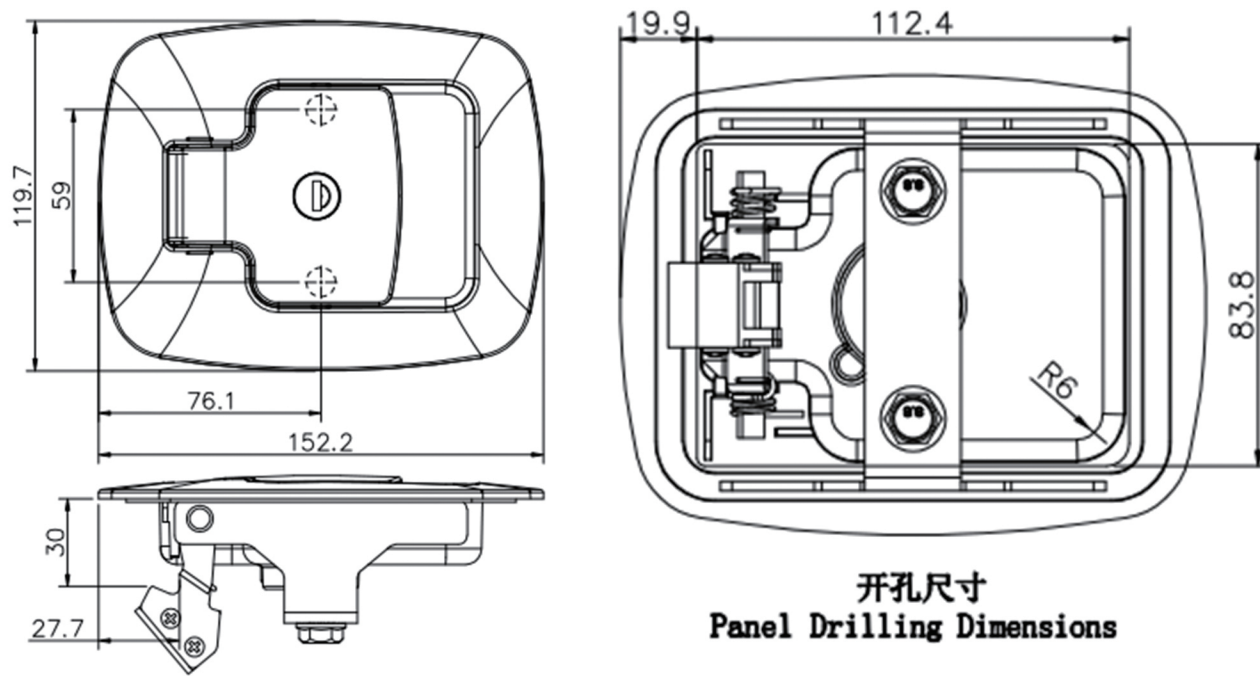


Model	Material	Surface treatment	Performance specification	Protection rate	Installation method	Anti-panic release	Adjustable range of tongue turning	Optional items
66032	Carbon steel	Black powder coated	Carbon steel	/	Studs	/	/	Anti-dust cap
			The handle bearable tension : 0.25KN					
			The hook bearable tension : 2.4KN					

◆ 66033



Overall drawing, Panel drilling Dimensions

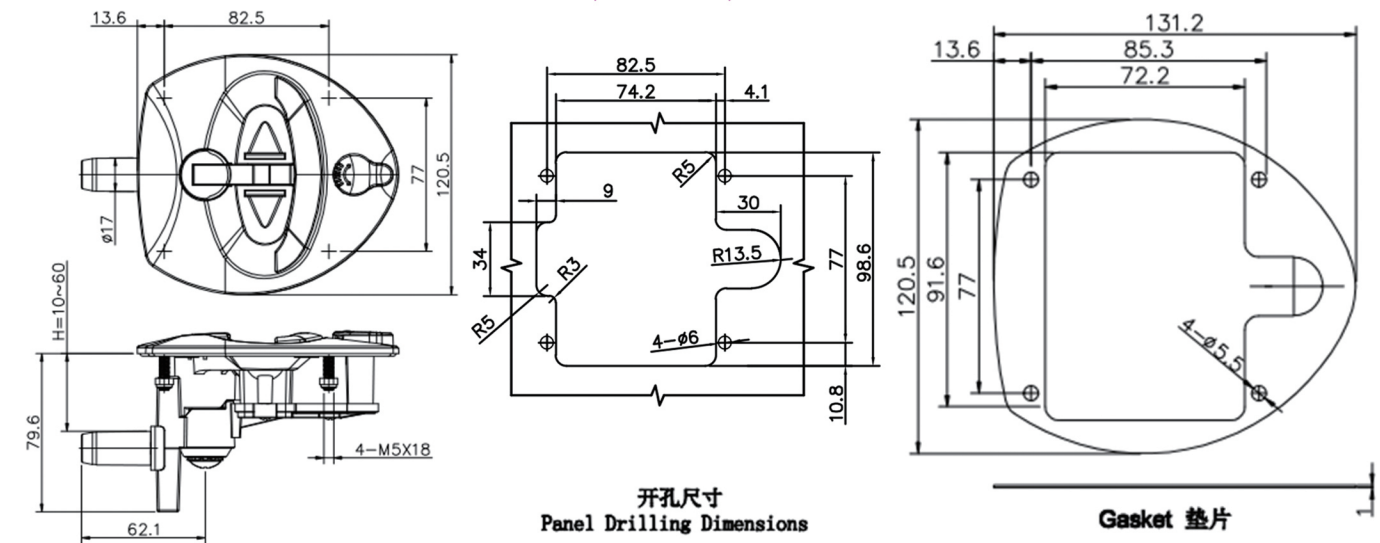


Model	Material	Surface treatment	Performance specification	Protection rate	Installation method	Anti-panic release	Adjustable range of tongue turning	Optional items
66033	Nylon + GF	Black	Nylon + GF		Platen			Key

◆ 66036



Overall drawing, gasket, Panel drilling Dimensions

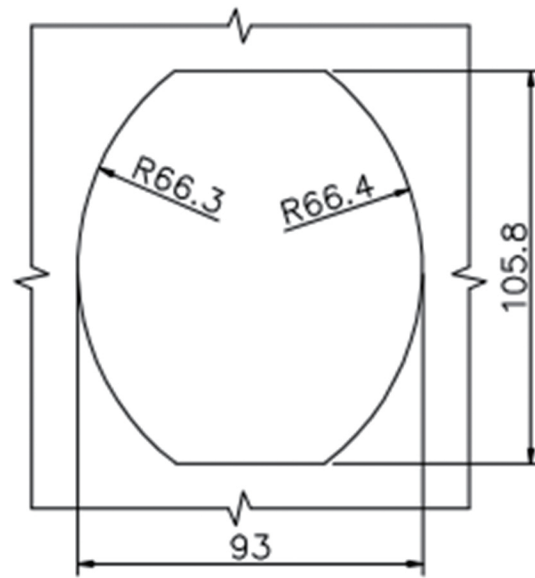
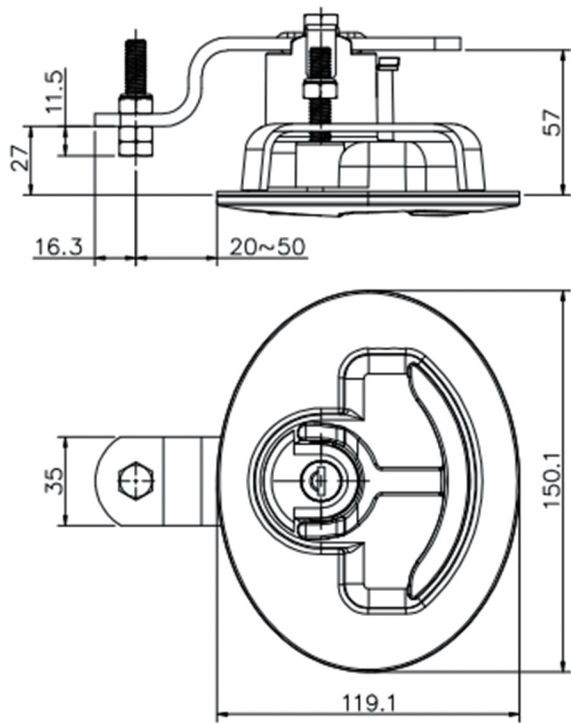


Model	Material	Surface treatment	Performance specification	Protection rate	Installation method	Anti-panic release	Adjustable range of tongue turning	Optional items
66036	Nylon + GF	Black	Nylon + GF Bearable torque of handle : 20N.m Bearable tension of tongue : 0.56KN Studs bearable torque : 3N.m Padlock piece bearable tension : 0.62KN	IP65	Studs			Key

◆ 66037



Overall drawing, Panel drilling Dimensions



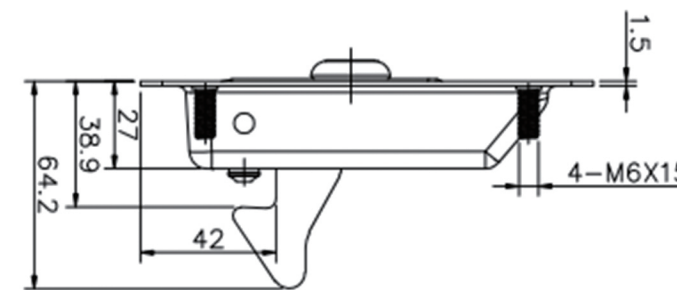
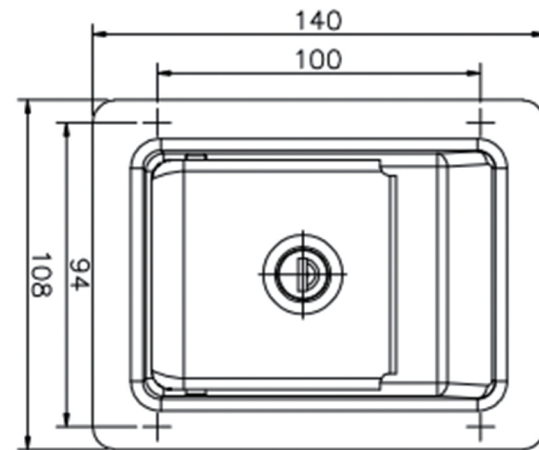
开孔尺寸
Panel Drilling Dimensions

Model	Material	Surface treatment	Performance specification	Protection rate	Installation method	Anti-panic release	Adjustable range of tongue turning	Optional items
66037	Nylon + GF	Black	Nylon + GF	IP65	Studs			Key

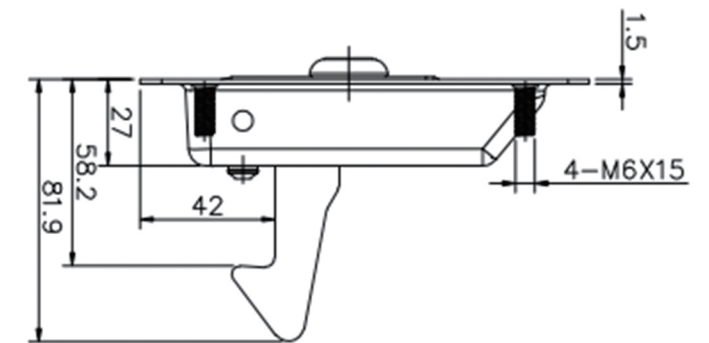
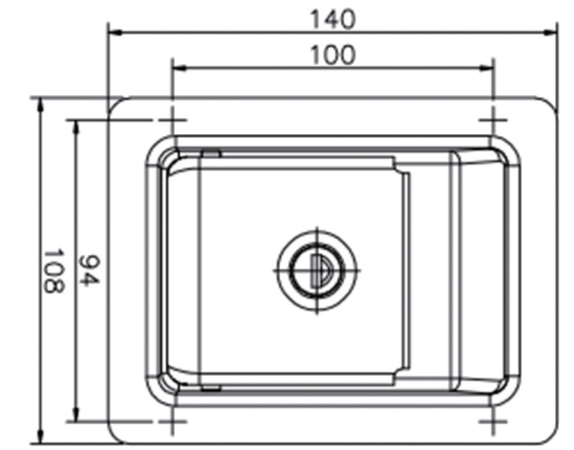
◆ 66039N



Overall drawing, gasket, Panel drilling Dimensions

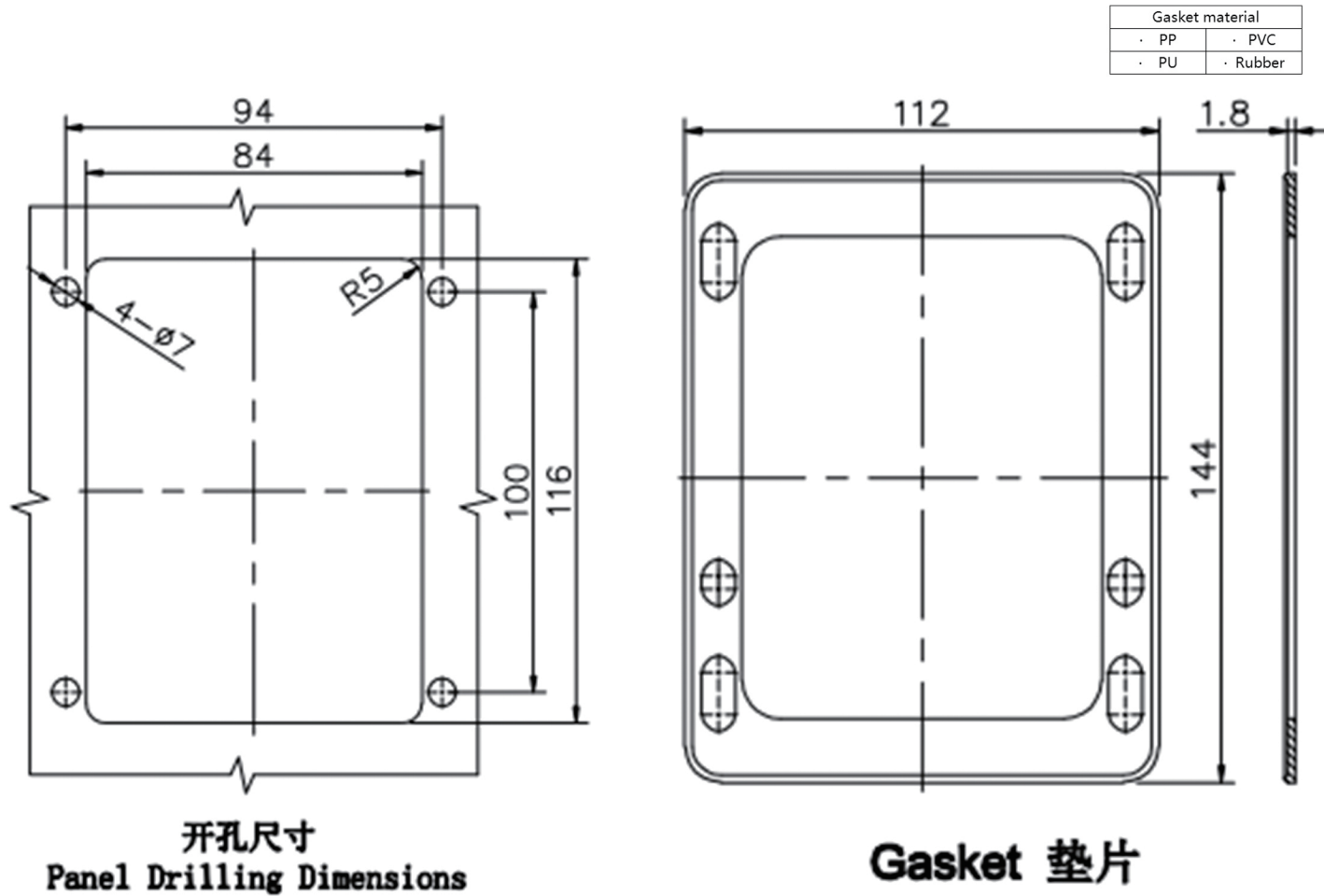


66039N



66039N-C

66039N Series gasket, Panel drilling Dimensions

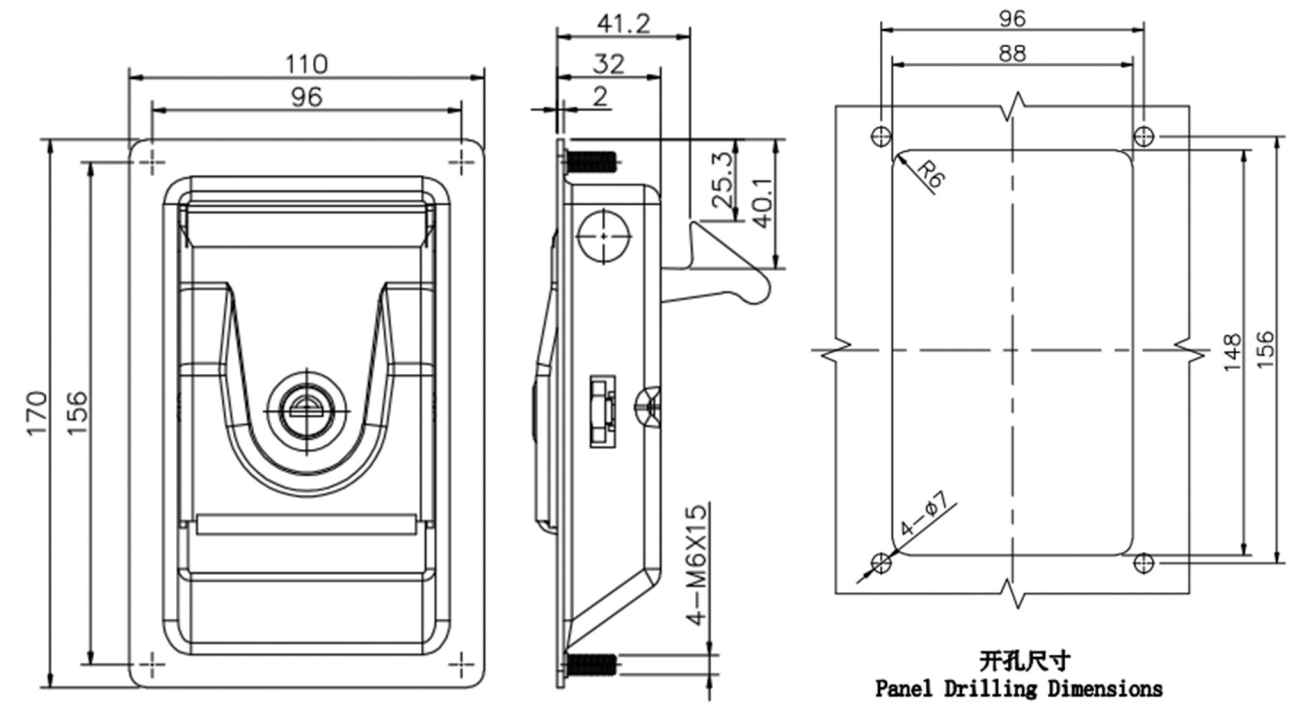


Model	Material	Surface treatment	Performance specification	Protection rate	Installation method	Anti-panic release	Adjustable range of tongue turning	Optional items
66039N 66039N-B	SUS304	Bright polished	SUS	IP65	Studs	/	/	Key Gasket
			The handle bearable tension : 0.9KN					
			The hook bearable tension : 3.8KN					

◆ 66041



Overall drawing, Panel drilling Dimensions

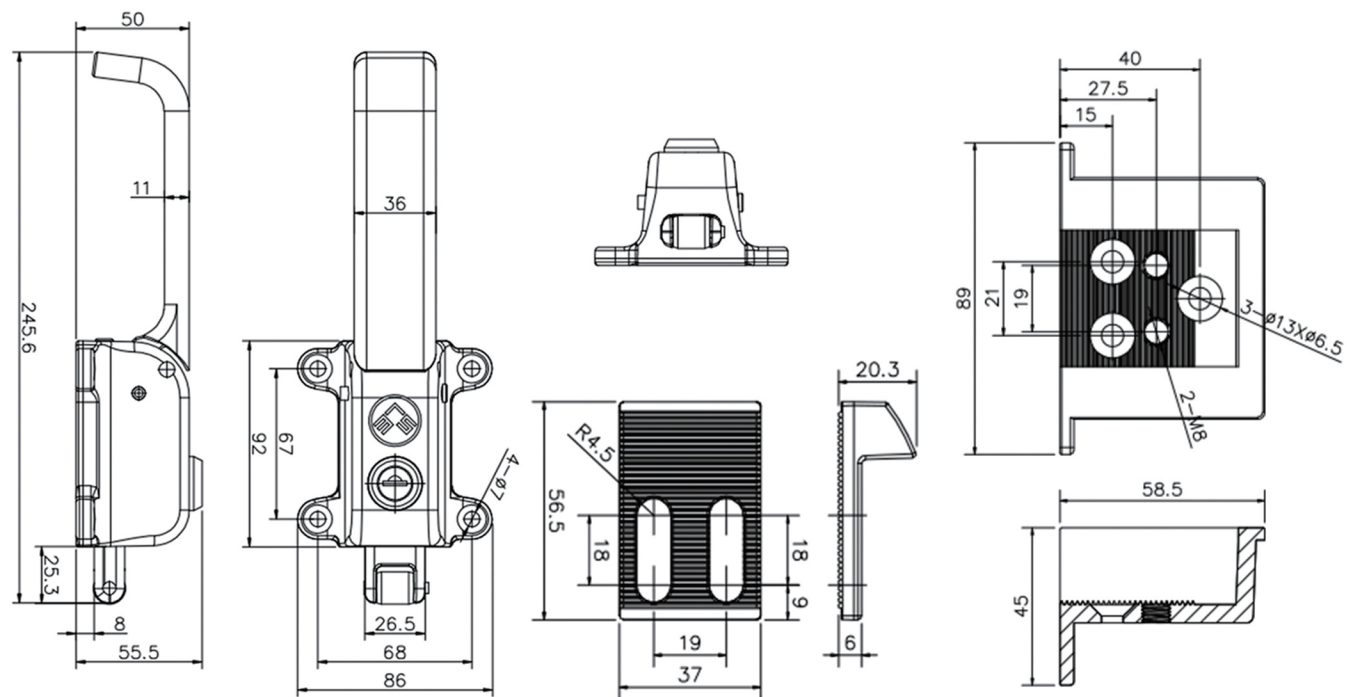


Model	Material	Surface treatment	Performance specification	Protection rate	Installation method	Anti-panic release	Adjustable range of tongue turning	Optional items
66041	Carbon steel	Black powder coated	Carbon steel	/	Studs	/	/	/
			The handle bearable tension : 0.62KN					
			The hook bearable tension : 3.2KN					

◆ 66043



Overall drawing

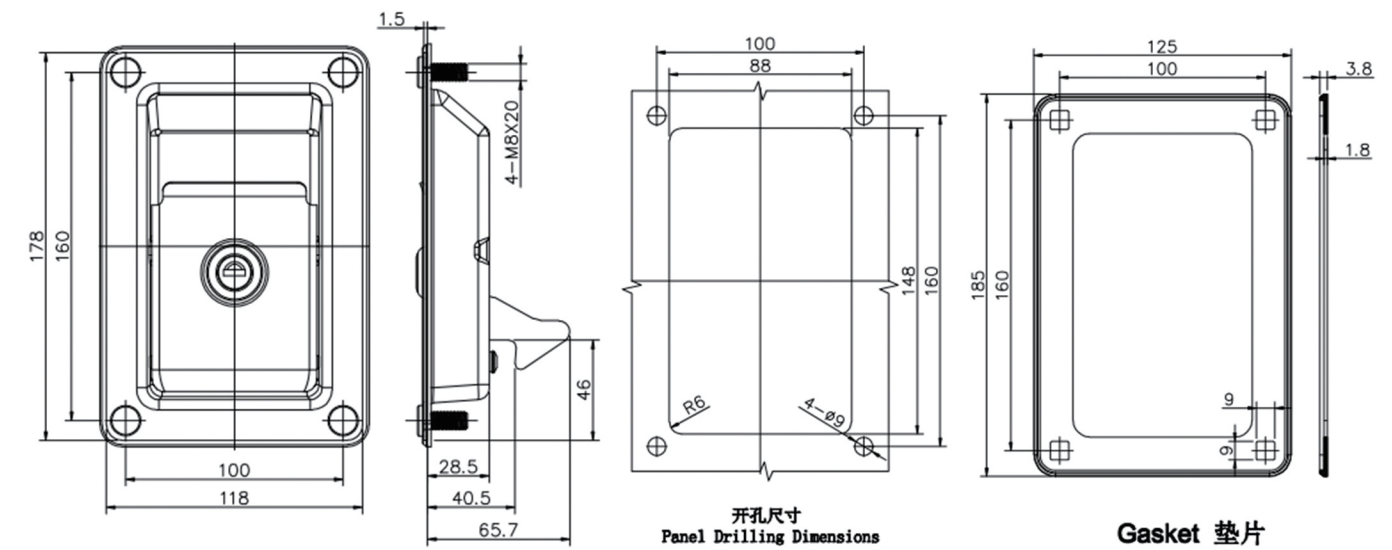


Model	Material	Surface treatment	Performance specification	Protection rate	Installation method	Anti-panic release	Adjustable range of tongue turning	Optional items
66043	SUS304	Bright polished	SUS		Punching			

◆ 66045



Overall drawing, gasket, Panel drilling Dimensions

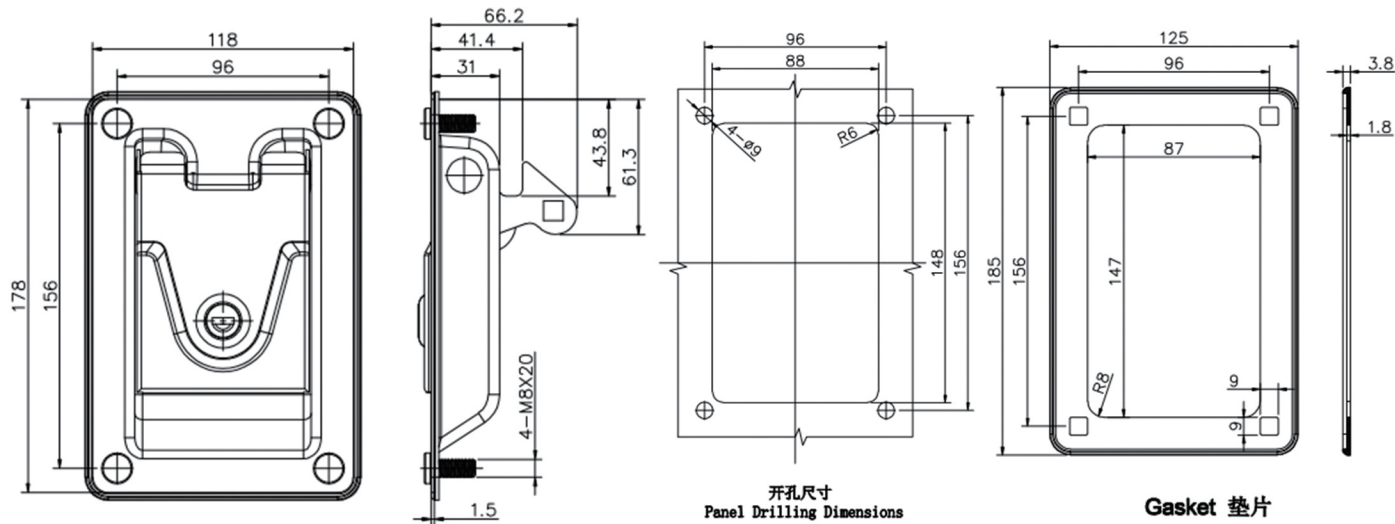


Model	Material	Surface treatment	Performance specification	Protection rate	Installation method	Anti-panic release	Adjustable range of tongue turning	Optional items
66045	Carbon steel	Black powder coated	Carbon steel	IP65	Punching Studs			Key Rubber gaskets
			The handle bearable tension : 0.5KN					
			The hook bearable tension : 3.2KN					

◆ 66048



Overall drawing, gasket, Panel drilling Dimensions



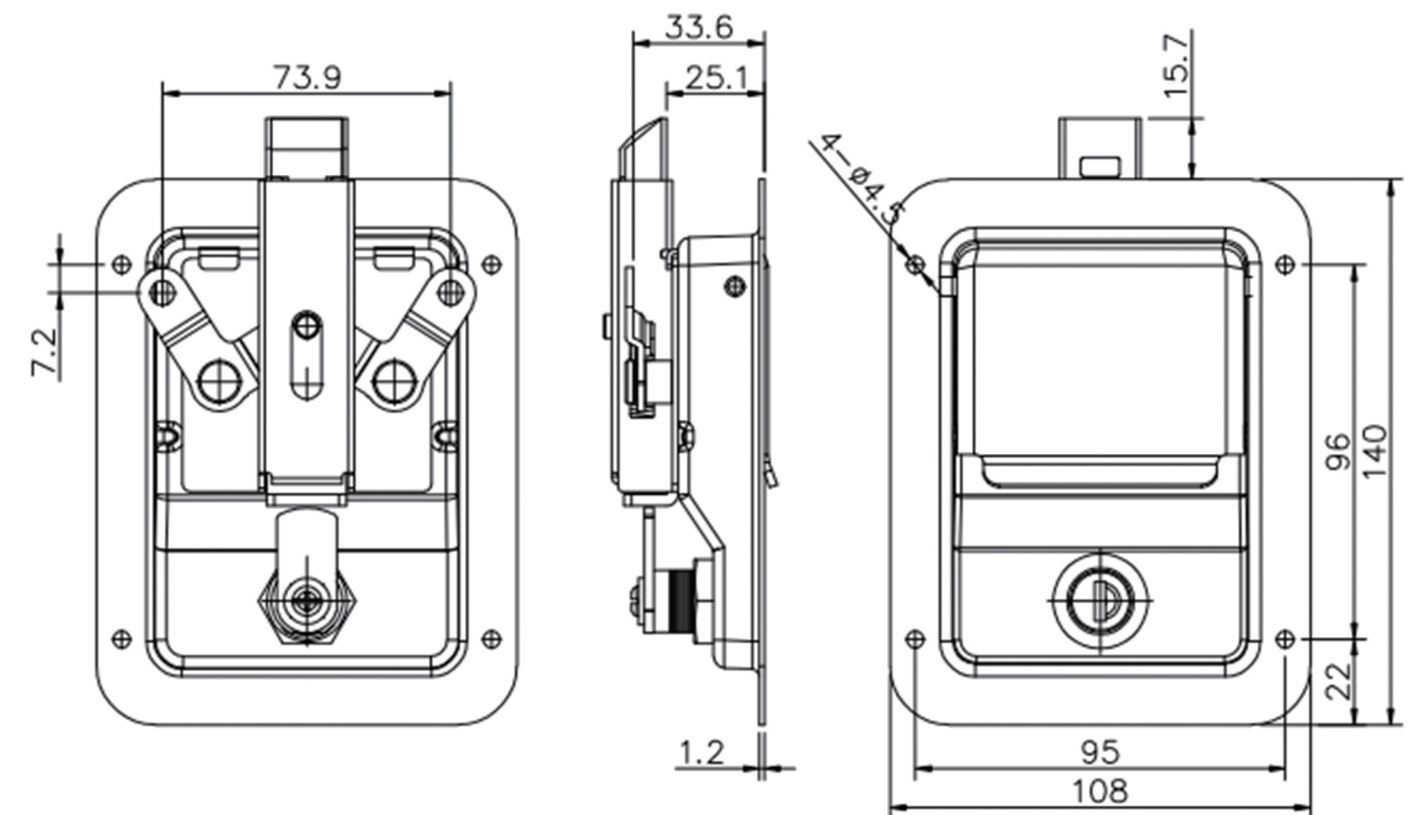
Model	Material	Surface treatment	Performance specification	Protection rate	Installation method	Anti-panic release	Adjustable range of tongue turning	Optional items
66048	Carbon steel	Black powder coated	Carbon steel		Punching			Key Rubber gaskets

◆ 66049 Series

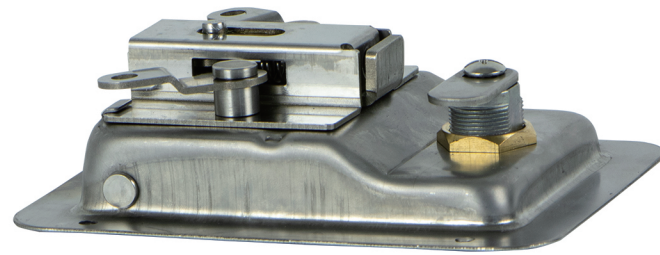
66049-A



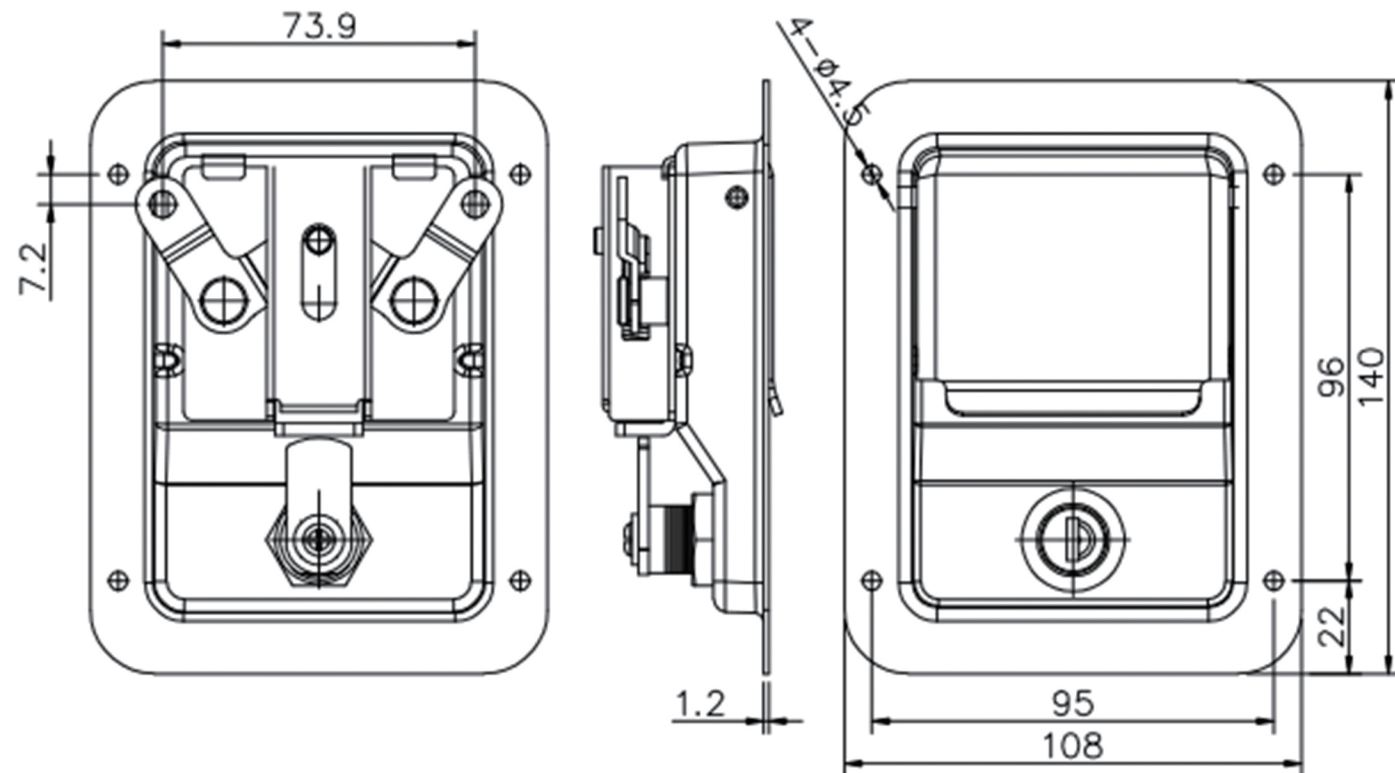
Overall drawing



66049-B

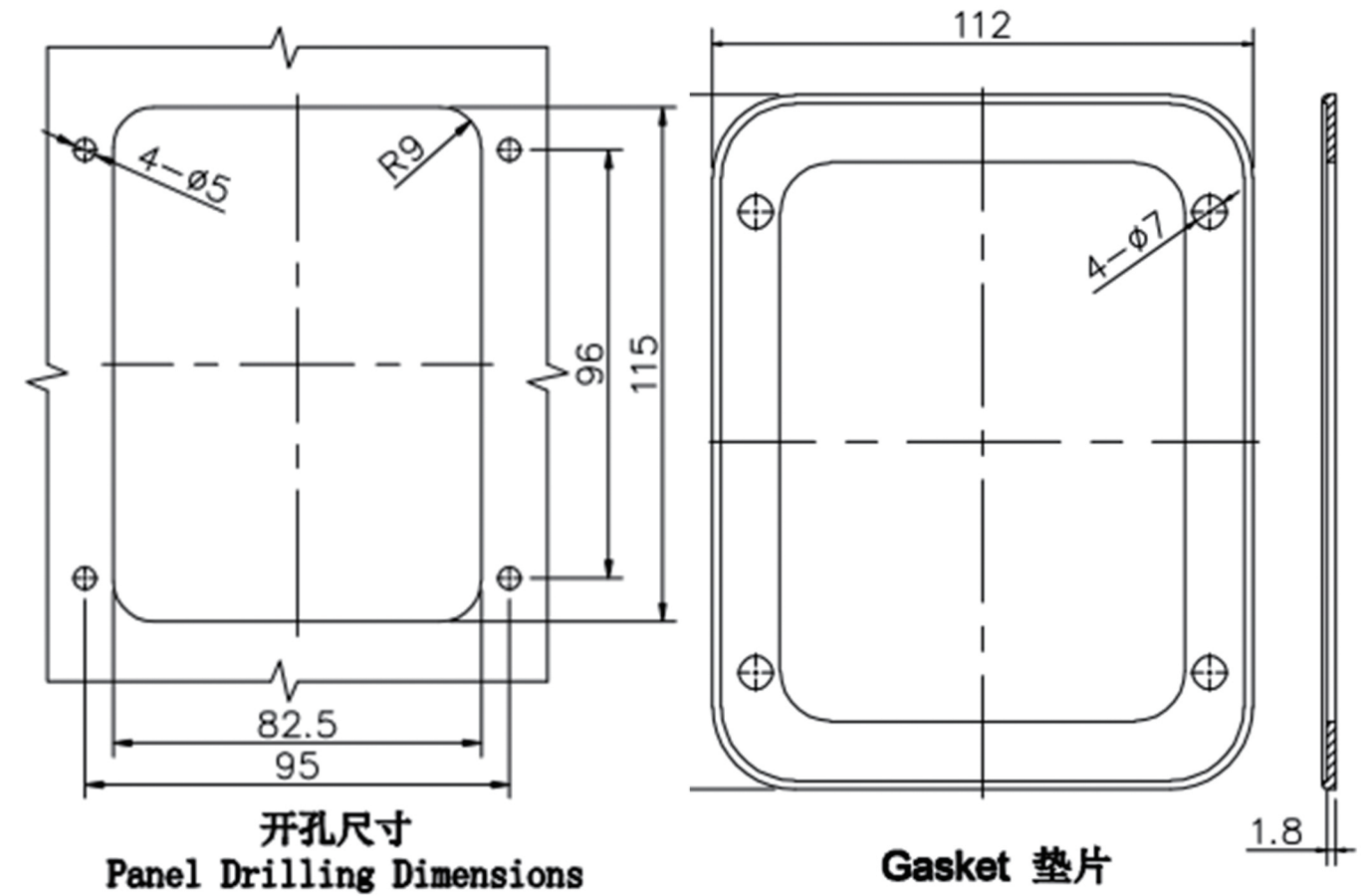


Overall drawing



66049 Series gasket, Panel drilling Dimensions

Gasket material	
· PP	· PVC
· PU	· Rubber

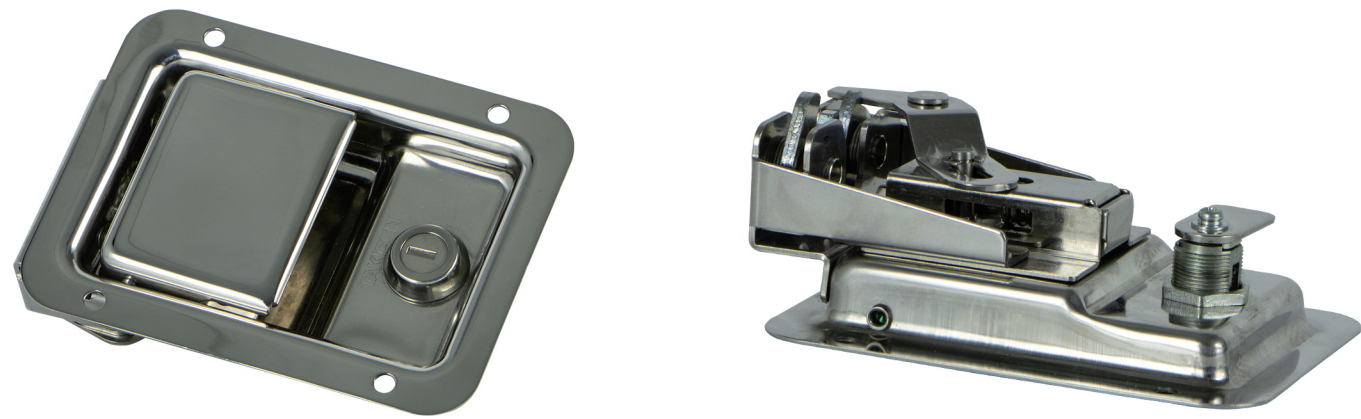


开孔尺寸
Panel Drilling Dimensions

Gasket 垫片

Model	Material	Surface treatment	Performance specification		Protection rate	Installation method	Anti-panic release	Adjustable range of tongue turning	Optional items
			SUS	Carbon steel					
66049 66049-B	SUS304 Carbon steel	Bright polished Black powder coated	The handle bearable tension : 0.28KN	0.28KN		Punching Studs			Gasket Key Anti-dust cap
			Tongue bearable tension : 1.3KN	1.3KN					

◆ 66050



Model	Material	Surface treatment	Performance specification	Protection rate	Installation method	Anti-panic release	Adjustable range of tongue turning	Optional items
66050	SUS304	Bright polished	SUS		Punching Studs			Rubber gaskets Key

◆ Application - generator set

