

05 Rv, toolbox accessories

P113~118



◆ Rv, toolbox accessories series



66051



66051 Back



66035



66035 Back

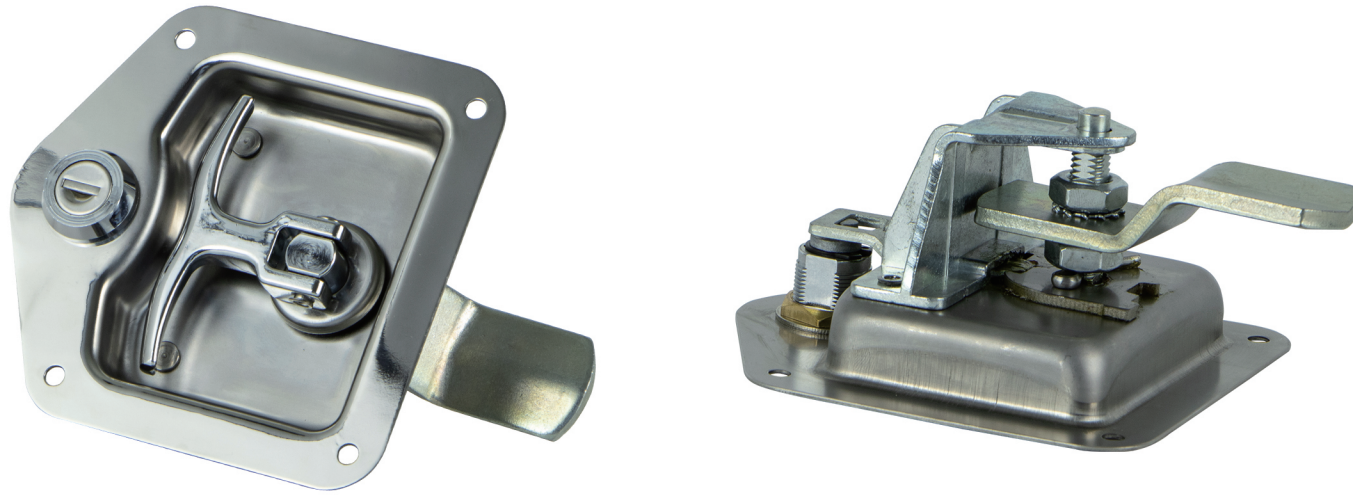


66009-H

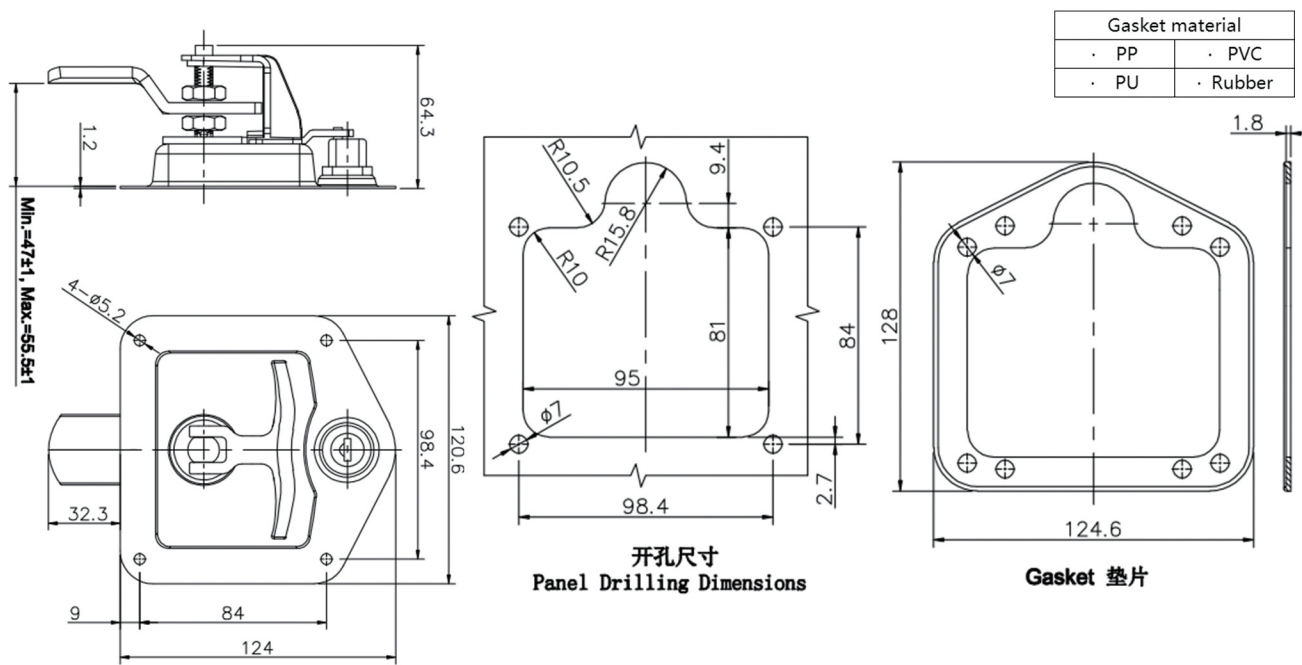


66009-H Back

◆ 66009-H



Overall drawing, gasket, Panel drilling Dimensions

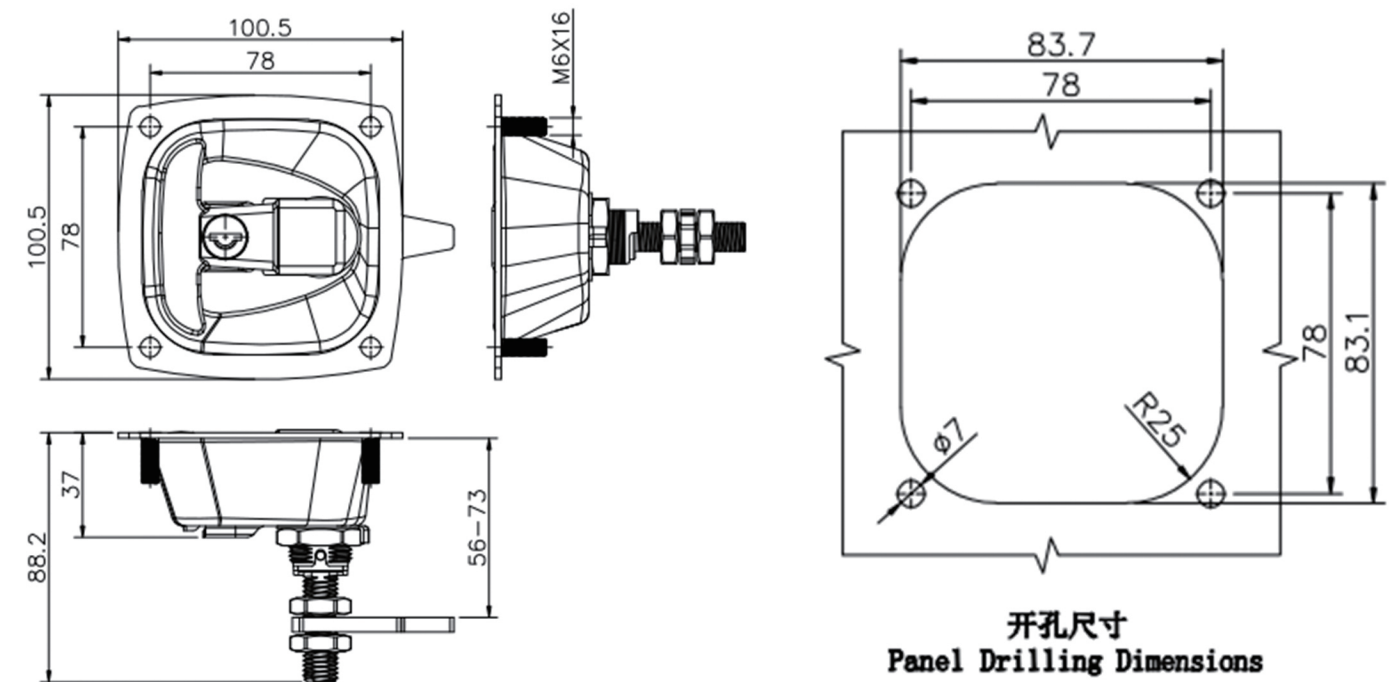


Model	Material	Surface treatment	Performance specification	Protection rate	Installation method	Anti-panic release	Adjustable range of tongue turning	Optional items
66009-H	SUS304	Bright polished	不锈钢	IP65	Punching Studs	/	47±1mm-55.5±mm	Gasket Key
			Bearable torque of handle : 36N.m					
			Bearable tension of tongue : 0.63KN					

◆ 66035

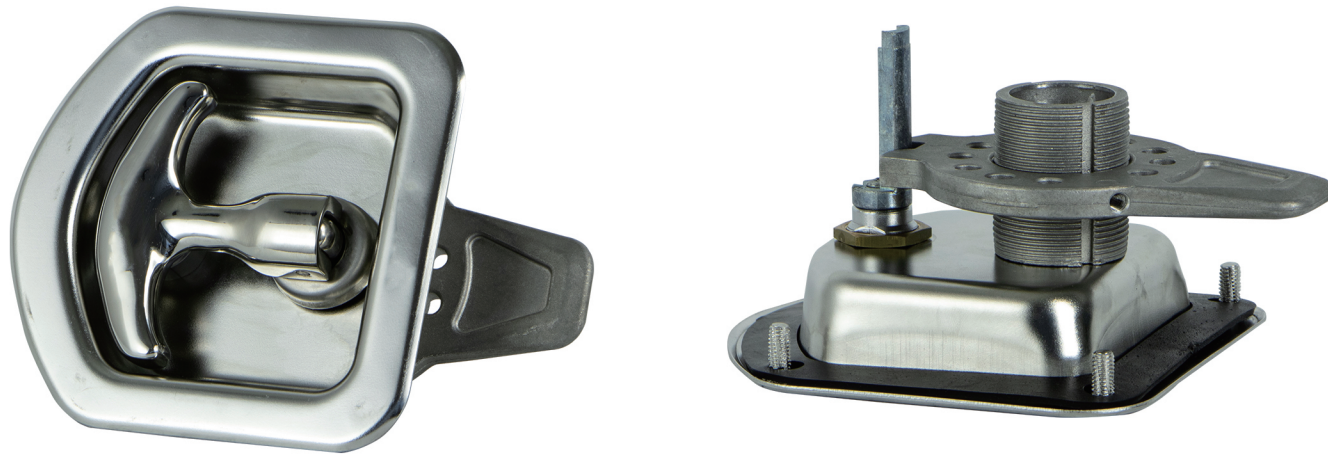


Overall drawing, Panel drilling Dimensions

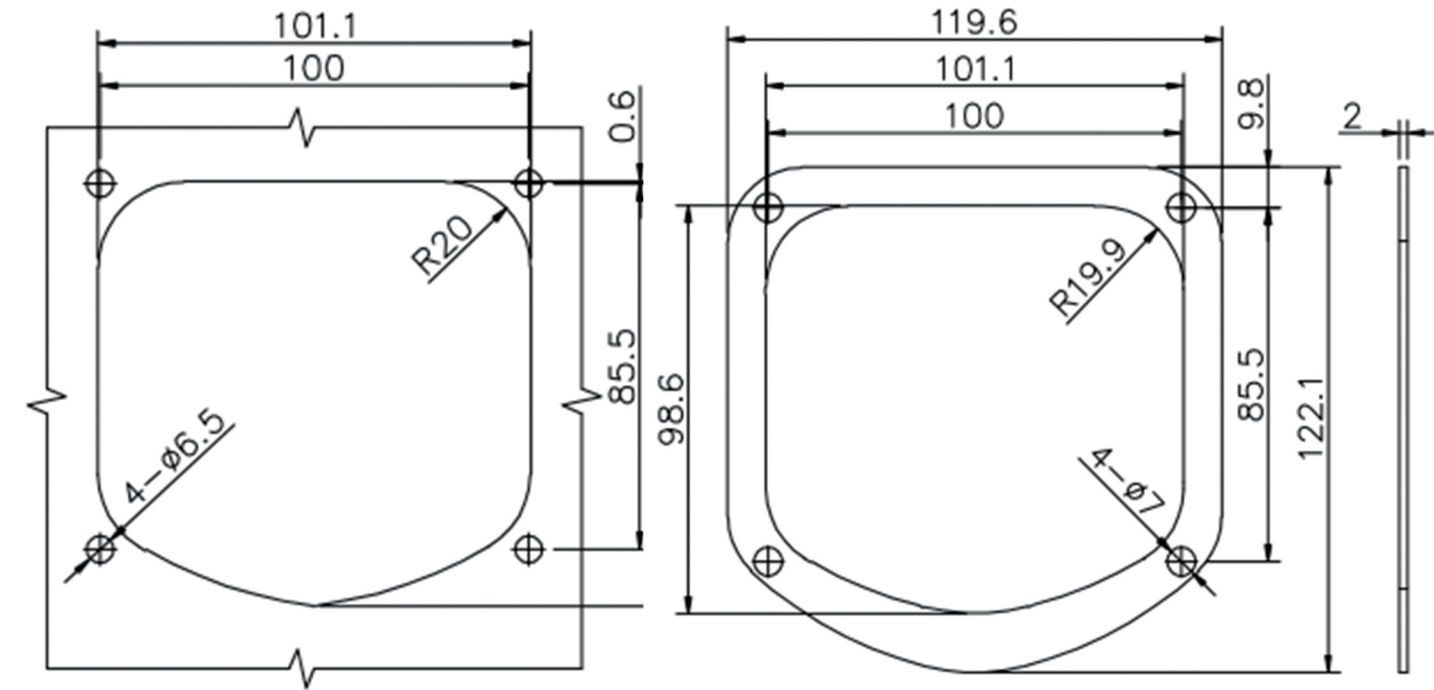


Model	Material	Surface treatment	Performance specification	Protection rate	Installation method	Anti-panic release	Adjustable range of tongue turning	Optional items
66035	Carbon steel	Black powder coated	Carbon steel	/	Punching Studs	/	56mm-73mm	Key

◆ 66051

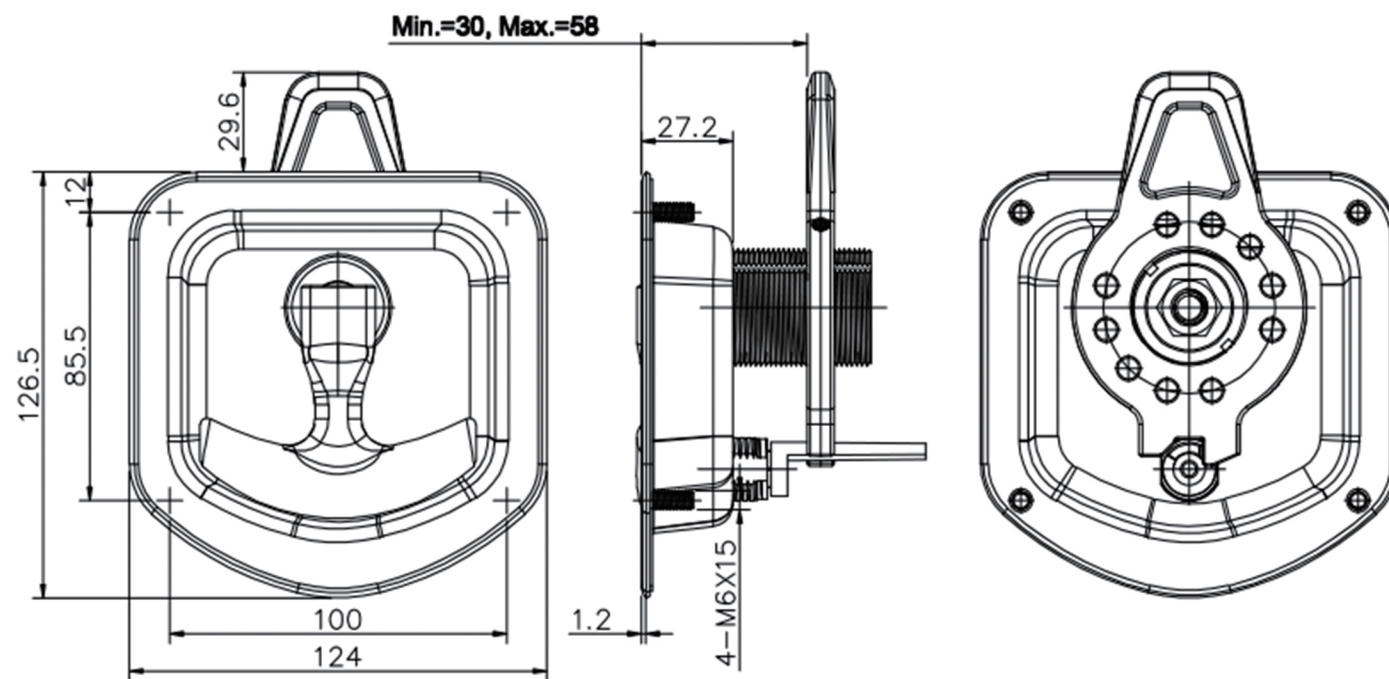


Overall drawing, gasket, Panel drilling Dimensions



开孔尺寸
Panel Drilling Dimensions

Gasket 垫片



Model	Material	Surface treatment	Performance specification	Protection rate	Installation method	Anti-panic release	Adjustable range of tongue turning	Optional items
66051	SUS304	Bright polished	SUS	IP67	Studs		30mm-58mm	Rubber gaskets Key